

INDEX OF SHEETS

- S1 General Plan
- S2 Index of Sheets, General Notes & Bill of Materials
- S3 Top of Slab Elevations, Layout and Details
- S4 Top of Slab Elevations
- S5 Superstructure Plan and Bill of Materials
- S6 Superstructure Section and Details
- S7 Parapet Plan, Elevation and Details
- S8 Framing Plan and Diaphragm Details
- S9 Beam Elevations and Details
- S10 Beam Details
- S11 Foundation Plan and Details
- S12 West Pier Details
- S13 East Pier Details
- S14 Substructure Details
- S15 Joint Details
- S16 Railing Details
- S17 Drainage Scupper, DS-12
- S18 Soil Boring Log I
- S19 Soil Boring Log II

GENERAL NOTES

1. Reinforcement bars shall conform to the requirements of ASTM A 706 Gr 60.
2. Reinforcement bars designated (E) shall be epoxy coated.
3. Plan dimensions and details relative to existing plans are subject to nominal construction variations. The Contractor shall field verify existing dimensions and details affecting new construction and make necessary approved adjustments prior to construction or ordering of materials. Such variations shall not be cause for additional compensation for a change in scope of the work, however, the Contractor will be paid for the quantity actually furnished at the unit price bid for the work.
4. Belled drilled shafts should be based at a minimum El. -45 CCD in the very stiff silty clay to dense silty loam to silt soils and be designed for a factored bearing resistance of 10,800 pounds per square foot. An experienced, geotechnical engineer should be present during excavation to determine allowable bearing.
5. At the bearing stratum (-45 CCD), the two borings indicate varying soil strata (clay at B-1, silt at B-2). The contractor should be prepared for potential caving issues while belling if non-cohesive soils are encountered at the bearing stratum. If caving soils are encountered while belling, the "grout-method" for belling shall be employed. The "grout-method" involves excavating and overbelling the caving soils under slurry and then tremie-filling the over excavated bell area with controlled low-strength material (CLSM) grout and allowing the CLSM to set for one to two days. The drilled shaft is then redrilled through the CLSM and penetrating slightly into undisturbed natural soil. The bell is then re-excavated through the existing grout to maintain a stable sidewall and then concrete is placed to complete the shaft.
6. Full depth temporary steel casing shall be used for the drilled shafts and a slurry shall be introduced into the bored hole prior to El. -30 CCD to prevent "blow-in" of the saturated dense sands and potential undermining of the existing nearby sewer based at El. -34 CCD.
7. For the drilled shaft excavated close to the existing sewer line based at -34 CCD, probe boring shall be performed prior to construction to verify the exact location of the sewer line prior to drilling for drilled shafts. Distance of 2 times the shaft diameter shall be maintained between the sewer and drilled shaft and that temporary steel casing shall be utilized also through the soft clays that extend to approximately elevation -41 CCD.
8. All cost of furnishing and installing belled portions of the Drilled Shafts shall be included with "Drilled Shaft in Soil".
9. Slipforming of the parapets is not allowed.

TOTAL BILL OF MATERIAL

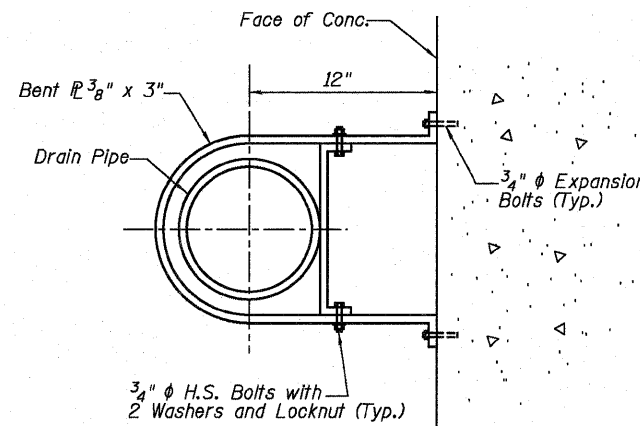
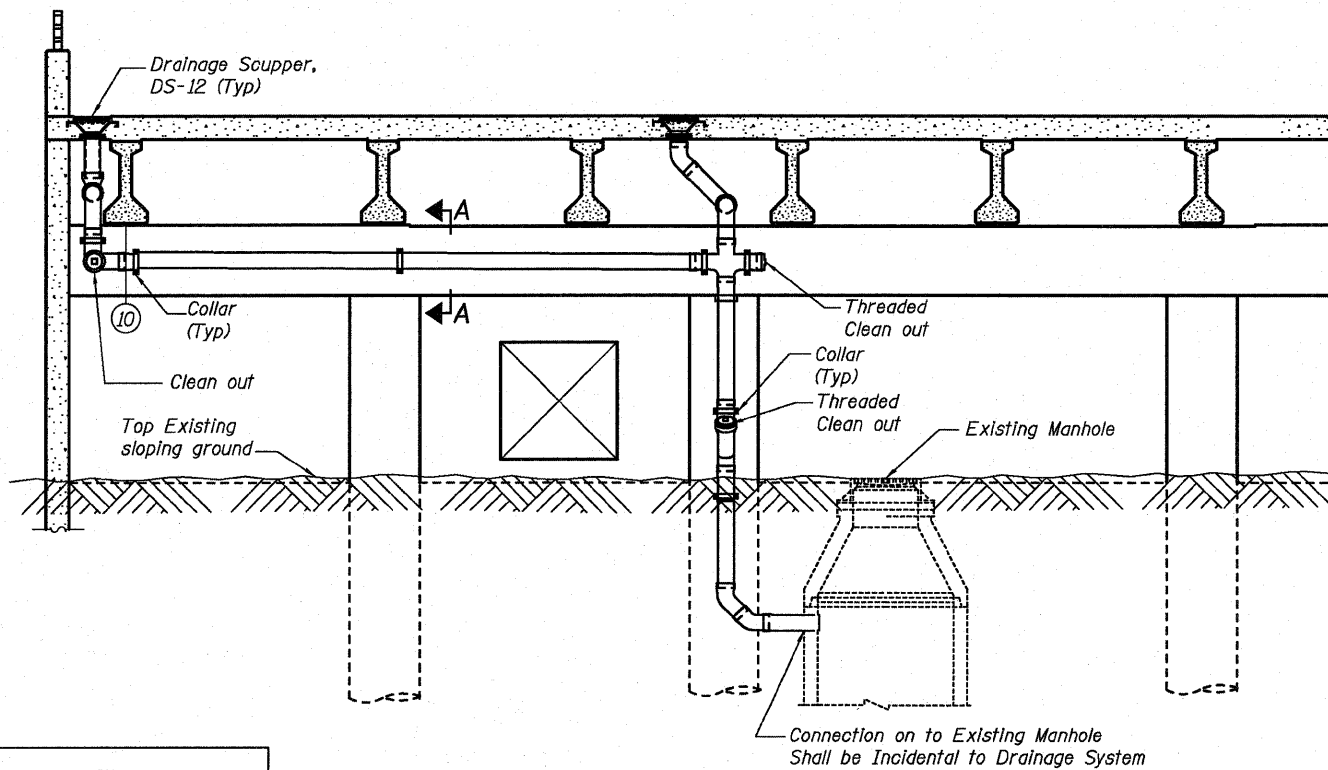
ITEM	UNIT	SUPER	SUB	TOTAL
Concrete Structures	Cu. Yd.	-	129.9	129.9
Concrete Superstructure	Cu. Yd.	198.1	-	198.1
Bar Splicers	Each	-	231	231
Furnishing and Erecting Precast Prestressed Concrete I-Beam, 42 in.	Foot	350	-	350
Reinforcement Bars, Epoxy Coated	Pound	49,330	62,840	112,170
Parapet Railing	Foot	138	-	138
Name Plates	Each	1	-	1
Drilled Shaft in Soil	Cu. Yd.	-	202.8	202.8
Preformed Joint Strip Seal	Foot	42	-	42
Drainage Scuppers, DS-12	Each	2	-	2
Drainage System	L. Sum	-	1	1
Bonded Preformed Joint Seal, 1"	Foot	68	-	68

**BUILT 201 BY
STATE OF ILLINOIS
F.A.I. 90/94
SEC. 2010-075-I
LOADING HL-93 AND
60 TON CRANE
STR. NO. 016-1308**

NAME PLATE
See Standard 515001

DRAINAGE SYSTEM NOTES

1. The Pay Item " Drainage System" shall include providing and installing 6" Fiberglass pipe, Reducers, Elbows, Inserts, Anchors Hangers, Clamps, Drainage Structures, and all other items necessary to complete the underdeck drainage system. It also include connection to existing drainage structure.
2. The elevations for proposed pipe inverts for the bridge drainage system shall be determined by the contractor in the field prior to fabrication and construction.
3. Areas disturbed by the installation of the bridge drainage system shall be restored in kind and the cost included with the Drainage System.
4. Locate anchors to miss existing reinforcement.
5. Bolts, nuts and washers for "Drainage System" shall conform to the requirement of ASTM A307.
6. Fiberglass pipe shall conform to ASTM D 2996 with short time rupture strength hoop tensile stress of 30,000 psi, minimum.
7. The surface of the fiberglass shall be free of bond inhibiting agents.
8. The cost of pipe support channel and installation are included in the cost of drainage system.



DETAIL A-A

ELEVATION - DRAINAGE SYSTEM
(Looking East)

BILL OF MATERIAL

Item	Unit	Quantity
Drainage System	L. Sum	1

**INDEX OF SHEETS, GENERAL NOTES
& BILL OF MATERIALS
STRUCTURE NUMBER 016-1308**

DESIGNED JW
CHECKED YMM
DRAWN JLS & PS
CHECKED TPG & JXH



SHEET NO.	F.A.I. RTE.	SECTION	COUNTY	TOTAL SHEETS	SHEET NO.
S2	90/94	2010-075-I	COOK	33	11
S19 SHEETS			CONTRACT NO. 60L61		
DATE: 12-09-10		ILLINOIS FED. AID PROJECT			