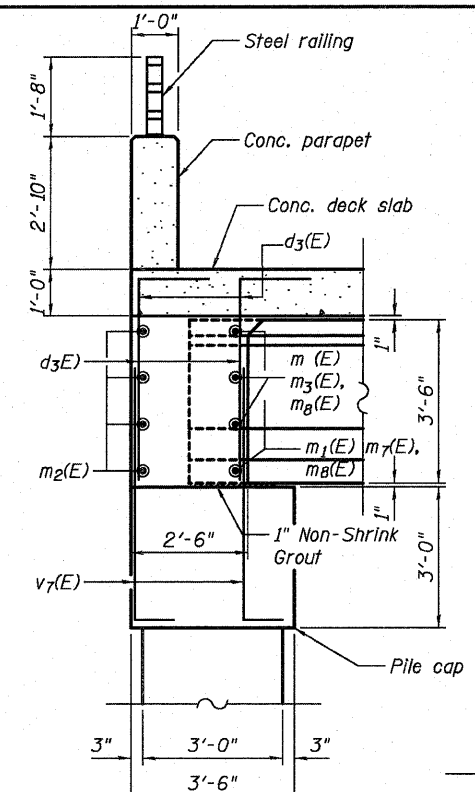
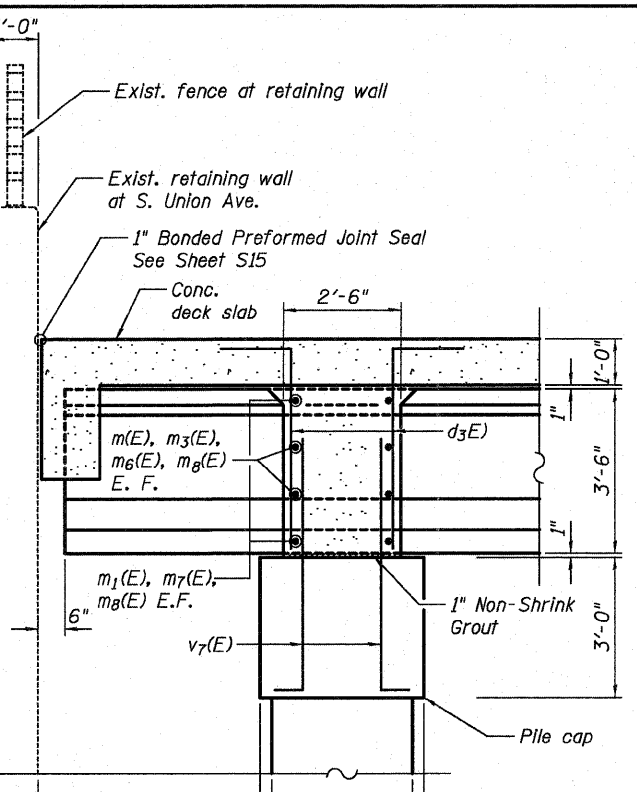


FRAMING PLAN



SECTION A-A

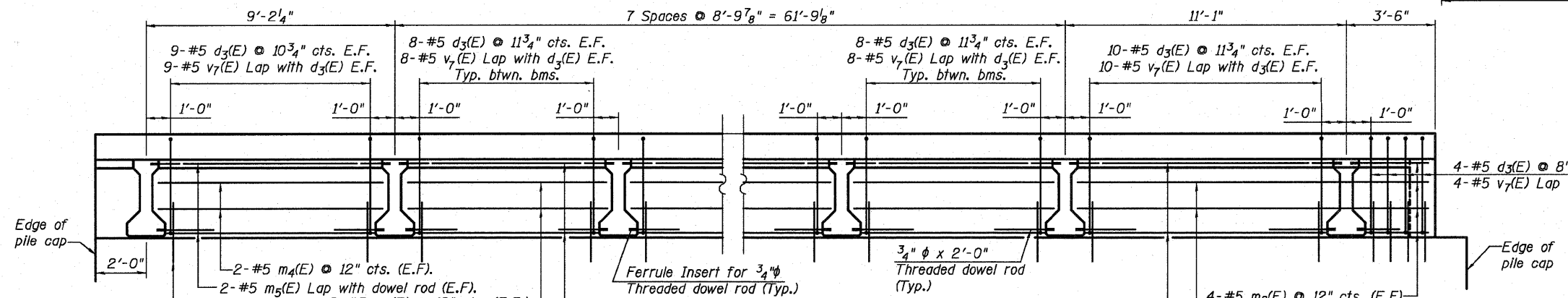


SECTION B-B

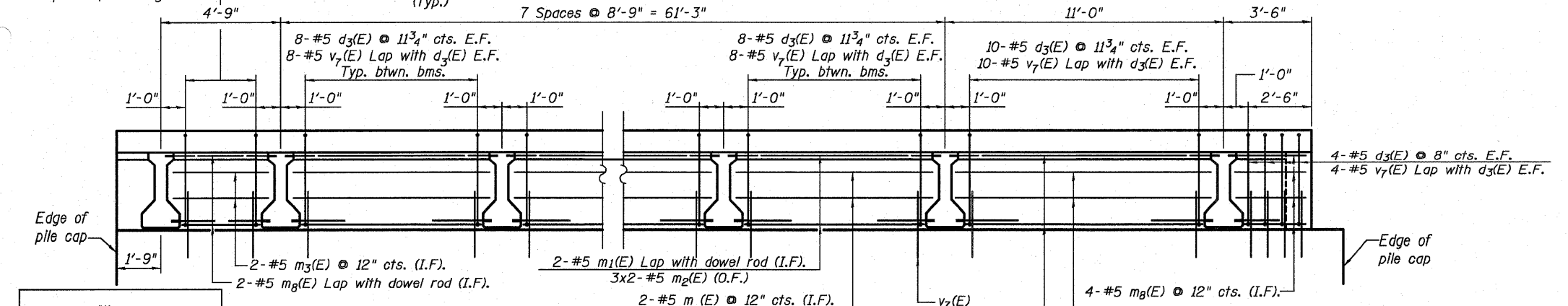
TYPICAL INTERIOR BEAM MOMENT TABLE		
	0.5 Sp. 1	℄ W. Pier
I (in ⁴)	90956	90956
I' (in ⁴)	391078	-
S _b (in ³)	5152	5152
S _{b'} (in ³)	10259	-
S _t (in ³)	3735	3735
S _{t'} (in ³)	100786	-
DCI (k/')	1.81	1.81
MDCI (k)	275	60
DW (k/')	0.44	0.44
M _{DW} (k)	66	10
M _{℄ + IM} (k)	1257	380

INTERIOR BEAM REACTION TABLE		
	East Pier	West Pier
R _{DCI} (k)	25	40
R _{DW} (k)	6	10
R _{℄ + IM} (k)	123	130
R _{Total} (k)	154	180

- I: Non-composite moment of inertia of beam section (in.⁴).
- I': Composite moment of inertia of beam section (in.⁴).
- S_b: Non-composite section modulus for the bottom fiber of the prestressed beam (in.³).
- S_{b'}: Composite section modulus for the bottom fiber of the prestressed beam (in.³).
- S_t: Non-composite section modulus for the top fiber of the prestressed beam (in.³).
- S_{t'}: Composite section modulus for the top fiber of the prestressed beam (in.³).
- DCI: Un-factored non-composite dead load (kips/ft.).
- MDCI: Un-factored moment due to non-composite dead load (kip-ft.).
- DW: Un-factored long-term composite (superimposed future wearing surface only) dead load (kips/ft.).
- M_{DW}: Un-factored moment due to long-term composite (superimposed future wearing surface only) dead load (kip-ft.).
- M_{℄ + IM}: Un-factored live load moment plus dynamic load allowance (Impact) (kip-ft.).



DIAPHRAGM AT WEST PIER



DIAPHRAGM AT EAST PIER

MIN. BAR LAP.
 #4 = 2'-7"
 #5 = 3'-3"

BAR d3(E)

DESIGNED	JW
CHECKED	YMM
DRAWN	JLS & PS
CHECKED	TPG & JXH



**FRAMING PLAN AND DIAPHRAGM DETAILS
 STRUCTURE NUMBER 016-1308**

SHEET NO. S8	F.A.I. RTE.	SECTION	COUNTY	TOTAL SHEETS	SHEET NO.
	90/94	2010-075-I	COOK	33	17
S19 SHEETS		CONTRACT NO. 60L61			
DATE: 12-09-10		ILLINOIS FED. AID PROJECT			