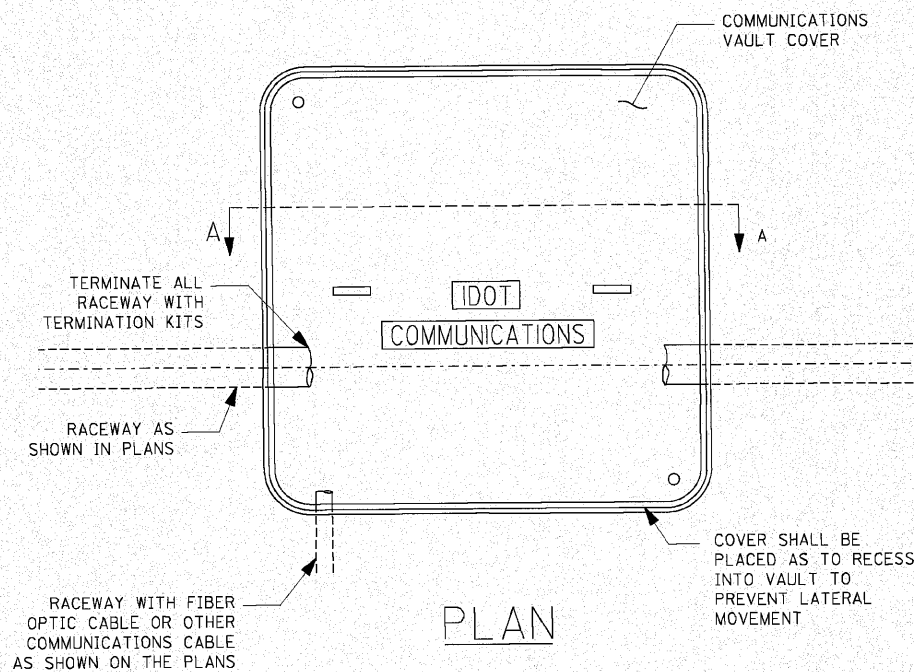
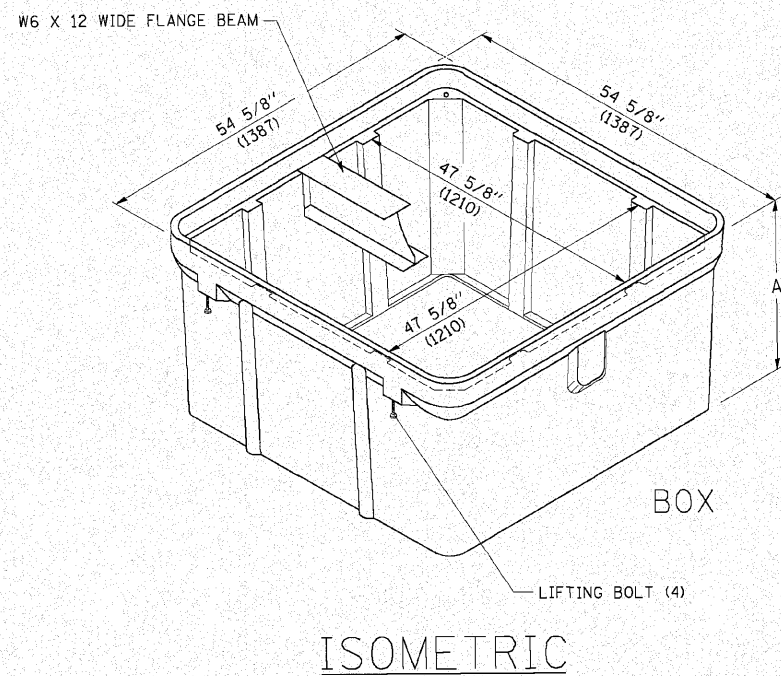


SECTION B-B



PLAN

**NOTES:**

1. BOX SHALL HAVE AN OPEN BASE.
2. COVER SHALL WITHSTAND A 22,500/33,750 DESIGN/TEST LOADING AND SHALL LOCK.
3. ALL OPENINGS IN STRUCTURE MUST BE MACHINED AT TIME OF FABRICATION OR PUNCH DRIVEN AT TIME OF PLACEMENT. IN ACCORDANCE WITH MANUFACTURER RECOMMENDATIONS.
4. FIELD PLACEMENT OF COMMUNICATIONS VAULT SHALL BE AS DIRECTED BY THE ENGINEER.
5. ALL DIMENSIONS ARE MINIMUM AND A LARGER SIZE HANDHOLE MAY BE USED, WITH THE APPROVAL OF THE ENGINEER, TO FACILITATE USING A MANUFACTURER'S STANDARD PRODUCT.

	USER NAME = lcyao	DESIGNED -	REVISED -
	gn	DRAWN -	REVISED -
	PLOT SCALE = 50,0000 1/4 IN.	CHECKED -	REVISED -
	PLOT DATE = 3/21/2010	DATE = 03-22-10	REVISED -

STATE OF ILLINOIS  
DEPARTMENT OF TRANSPORTATION

COMMUNICATIONS VAULT, COMPOSITE CONCRETE

SCALE: NONE SHEET NO. OF SHEETS STA. TO STA.

F.A. I. RTE.	SECTION	COUNTY	TOTAL SHEETS	SHEET NO.
80	99(5&5-1) Y-1	WILL	309	178
BE-705			CONTRACT NO. 60M59	
FED. ROAD DIST. NO. 1 ILLINOIS FED. AID PROJECT				