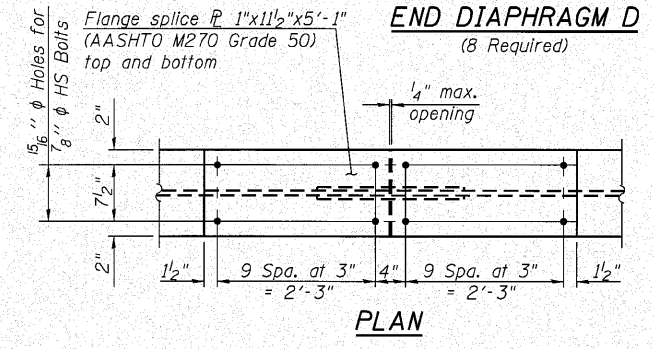
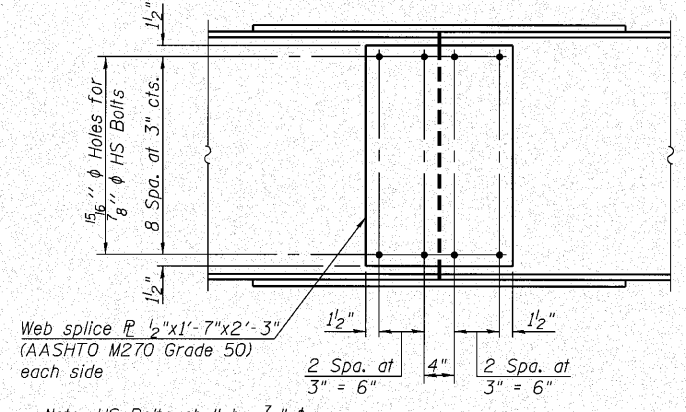


ELEVATION



END DIAPHRAGM D
(8 Required)

PLAN

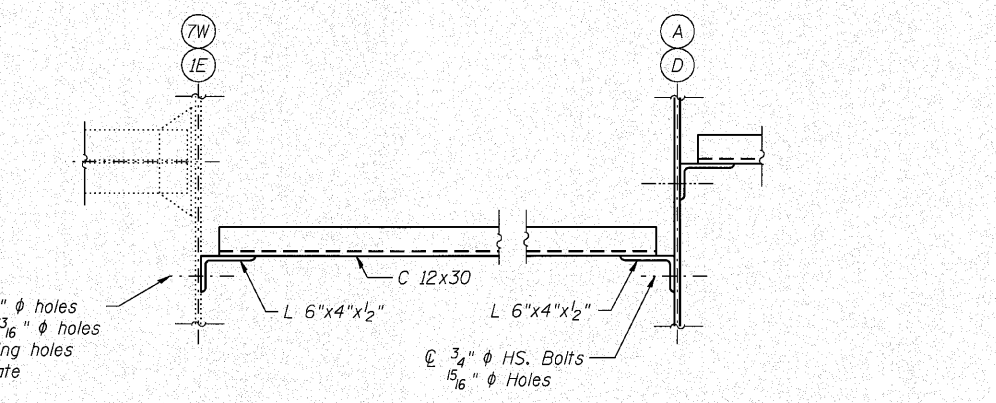


ELEVATION

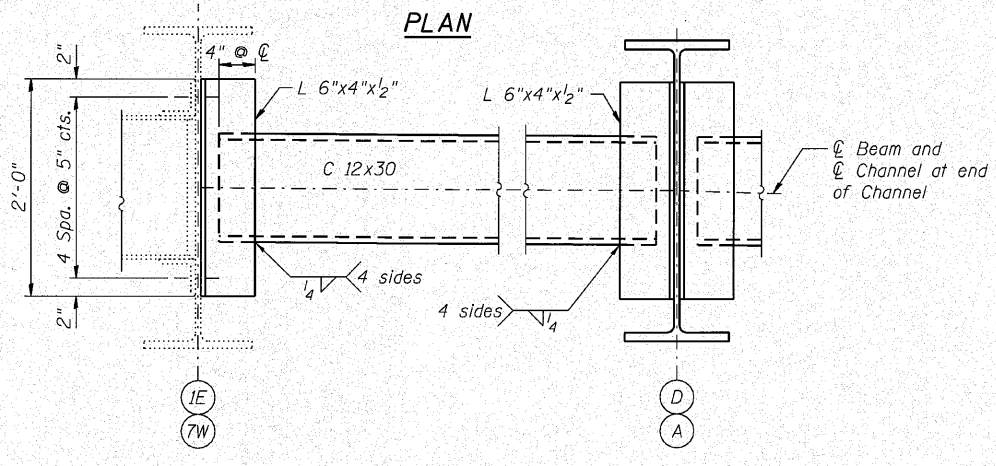
SPLICE DETAIL
(8 Required)

Note: HS Bolts shall be 7/8" ϕ AASHTO M164/ASTM A325

C 3/4" HS Bolts. 15/16" ϕ holes in angle. field drill 13/16" ϕ holes in existing beam using holes in angle as a template

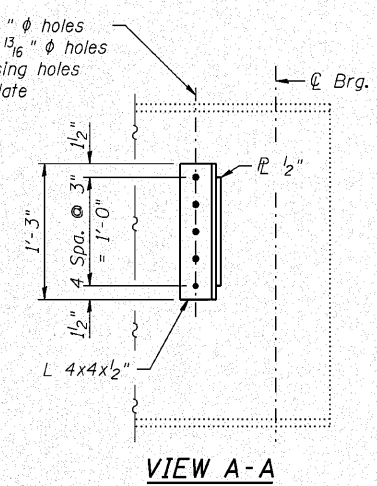


PLAN



ELEVATION

DIAPHRAGM D1
(52 Required)



VIEW A-A

TOP OF BEAM ELEVATIONS
(For Fabrication Only)

	C BRG. W. ABUT.	C PIER 1	C SPLICE 1	C SPLICE 2	C PIER 2	C BRG. E. ABUT.
Beam A	686.09	686.22	686.26	686.40	686.45	686.65
Beam B	685.95	686.08	686.11	686.26	686.31	686.50
Beam C	685.83	685.96	686.00	686.10	686.16	686.39
Beam D	685.94	686.07	686.11	686.25	686.30	686.49

NOTES:

- All Splice plate material shall meet notch toughness requirements.
- Two hardened washers required for each set of oversized holes.
- Cost of field drilling included with "Furnishing and Erecting Structural Steel".

nt:\proj\3384\3.east\design\structural\1-80 N&S 16 Structural Steel Details.dgn

FILE NAME =
USER NAME = rdanley
DESIGNED - BWS
CHECKED - EKM
DRAWN - RD
CHECKED - SCD
REVISOR -
REVISOR -
REVISOR -
REVISOR -

CLORBA GROUP, INC.
CONSULTING ENGINEERS
500 North Commonwealth Avenue
Suite 100 Chicago, Illinois 60658
Tel: 773.774.2000
Fax: 773.774.4014
www.clorbagroup.com

PLOT SCALE =
PLOT DATE = 10/28/2010

STATE OF ILLINOIS
DEPARTMENT OF TRANSPORTATION

STRUCTURAL STEEL DETAILS
STRUCTURE NO. 099-0070 (E.B.) & 099-0071 (W.B.)
SHEET NO. S-16 OF S-27 SHEETS

F.A.I. RTE. 80
SECTION 99(5&5-1) Y-1
COUNTY WILL
TOTAL SHEETS 309
SHEET NO. 204
CONTRACT NO. 60M59
ILLINOIS FED. AID PROJECT