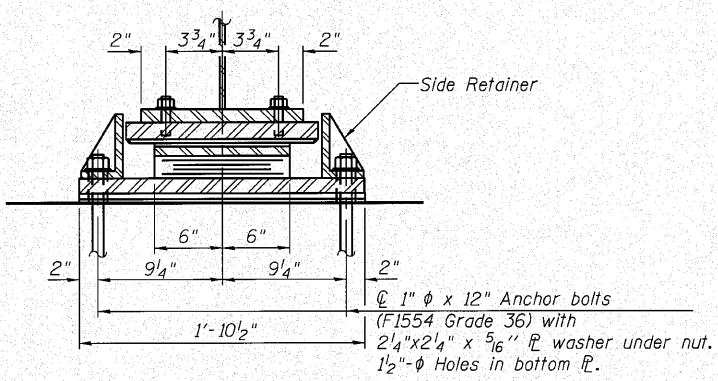
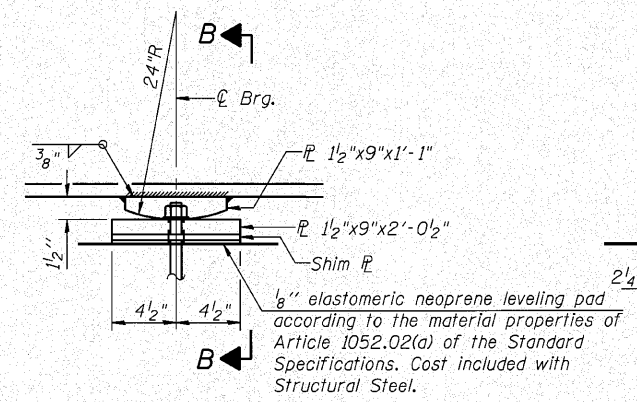


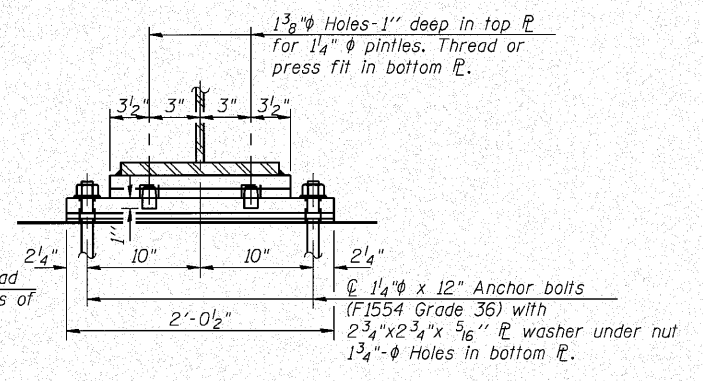
ELEVATION AT EAST ABUT.



SECTION A-A



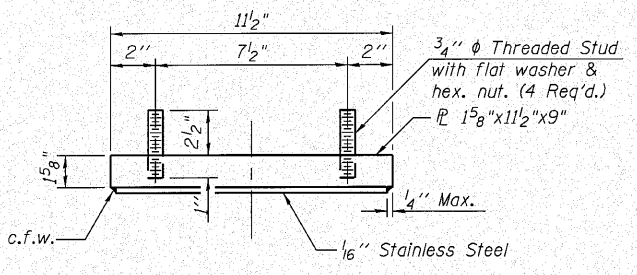
ELEVATION AT PIER 1



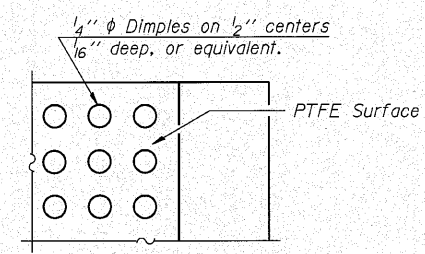
SECTION B-B

TYPE II ELASTOMERIC EXP. BRG.

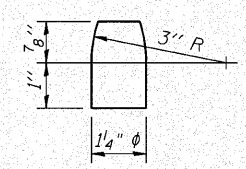
FIXED BEARING



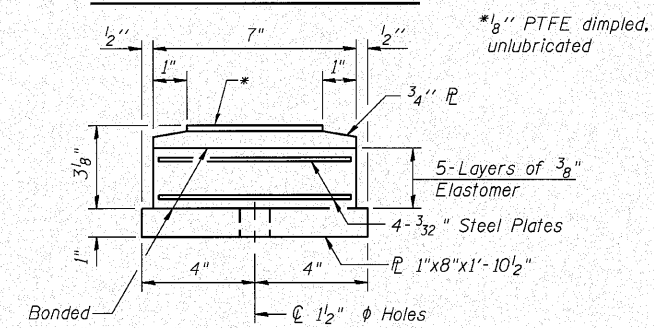
TOP BEARING ASSEMBLY



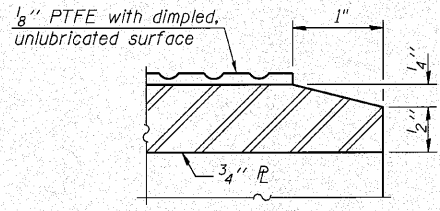
PLAN-PTFE SURFACE



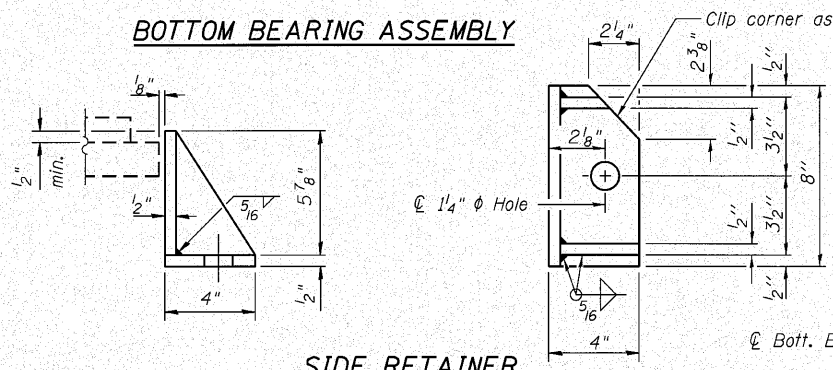
PINTLE



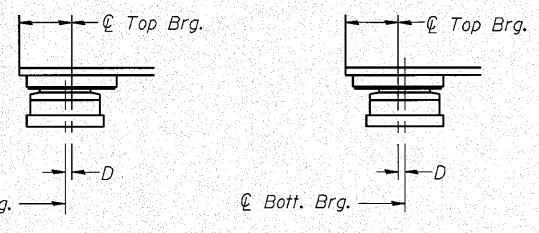
BOTTOM BEARING ASSEMBLY



SECTION THRU PTFE

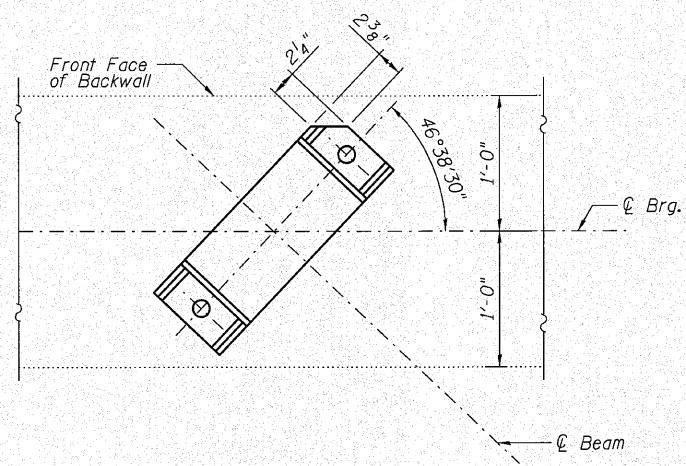


SIDE RETAINER
Equivalent rolled angle with stiffeners will be allowed in lieu of welded plates.



SETTING ANCHOR BOLTS AT EXP. BRG.

D = 1/8" per each 100' of expansion for every 15° temp. change from the normal temp. of 50°F.



Notes:
Anchor bolts shall be ASTM F1554 all-thread (or an Engineer-approved alternate material) of the grade(s) and diameter(s) specified. ASTM A307 Grade C anchor bolts may be used in lieu of ASTM F1554 Grade 36 (Fy=36ksi). The corresponding specified grade of AASHTO M314 anchor bolts may be used in lieu of ASTM F1554.
Anchor bolts at fixed bearings may be either cast in place or installed in holes drilled after the supported member is in place.
Anchor bolts for Type II bearings shall be placed in holes drilled in the concrete through holes in the bottom bearing plate after members are in place. Side retainers shall be placed after bolts are installed.
Drilled and set anchor bolts shall be installed according to Article 521.06 of the Standard Specifications.
Side retainers and other steel members required for the elastomeric bearing assembly shall be included in the cost of Elastomeric Bearing Assembly, Type II.
The 1/8" PTFE sheet shall be bonded directly to the top steel plate with a two-component, medium viscosity epoxy resin, conforming to the requirements of the Federal Specification MMM-A-134, Type I. The bond agent shall be applied on the full area of the contact surfaces.
Bonding of 1/8" PTFE sheet during vulcanizing process will be permitted provided the process and method of adjusting assembly height is approved by the Engineer.
All steel plates shown on this sheet shall be M270 Grade 36 unless otherwise noted.

BILL OF MATERIAL

Item	Unit	Total
Elastomeric Bearing Assembly Type II	Each	4
Anchor Bolts, 1 1/4"	Each	8
Anchor Bolts, 1"	Each	8

n:\pro\3304\3.east\design\structure\I-80 over n&s\acad\3304.I-80 N&S 18 Bearing Details II.dgn

FILE NAME =

 CONSULTING ENGINEERS
 1431 North Cumberland Ave.
 Suite 201 Chicago, Illinois 60642
 Tel: 773-775-1200
 Fax: 773-775-4214
 Email: info@clorba.com

USER NAME = rdenley	DESIGNED - BWS	REVISD -
PLOT SCALE =	CHECKED - EKM	REVISD -
PLOT DATE = 10/26/2010	DRAWN - RD	REVISD -
	CHECKED - SCD	REVISD -

STATE OF ILLINOIS
 DEPARTMENT OF TRANSPORTATION

BEARING DETAILS II
 STRUCTURE NO. 099-0070 (E.B.) & 099-0071 (W.B.)
 SHEET NO. S-18 OF S-27 SHEETS

F.A.I. RTE.	SECTION	COUNTY	TOTAL SHEETS	SHEET NO.
80	99(5&S-1) Y-1	WILL	309	206
CONTRACT NO. 60M59				
ILLINOIS FED. AID PROJECT				