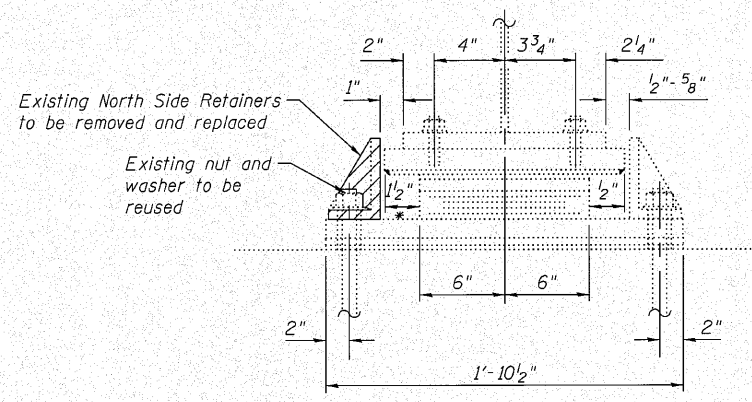
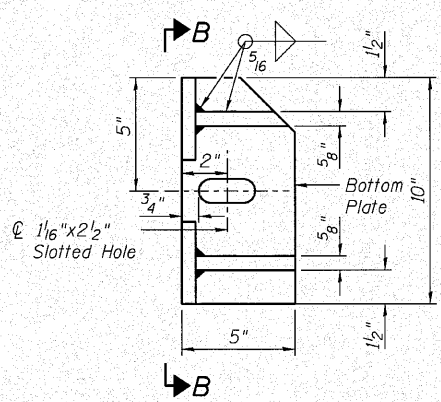
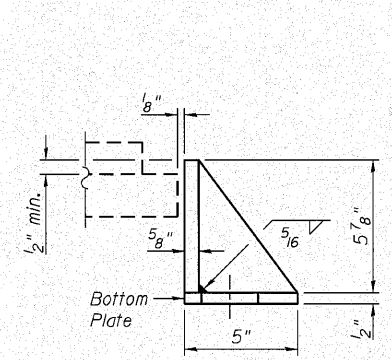


**ELEVATION AT EAST ABUTMENT
WB STRUCTURE**

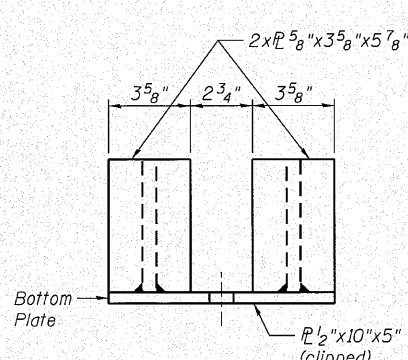


SECTION A-A
Existing dimensions for information only to be verified prior to fabrication of new side retainers.

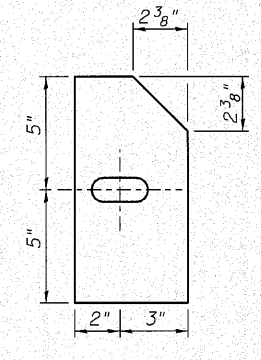


**SIDE RETAINER
(7 THUS)**

Cost of Side Retainers to be included with Furnishing and Erecting Structural Steel



VIEW B-B



BOTTOM PLATE

NOTES:

1. For location of bearings to be repaired see Sheet S-15.
2. No Salvage of the removed side retainers.

nt:\proj\3384\3 east\design\structure\N-80 over n&s\ced\3384_I-80 N&S 19 Bearing Repairs.dgn

<p>Clorba Group, Inc. CONSULTING ENGINEERS 200 North Commonwealth Avenue Suite 1001 Chicago, Illinois 60610 Tel: 773-777-8000 Fax: 773-777-8014 Email: clorba@clorba.com</p>	USER NAME = rdenley PLOT SCALE = PLOT DATE = 10/28/2010	DESIGNED - BWS CHECKED - EKM DRAWN - RD CHECKED - SCD	REVISED - REVISED - REVISED - REVISED -	STATE OF ILLINOIS DEPARTMENT OF TRANSPORTATION	BEARING REPAIRS STRUCTURE NO. 099-0070 (E.B.) & 099-0071 (W.B.)	F.A.I. RTE. = 80 SECTION = 99(5&S-1) Y-1 COUNTY = WILL TOTAL SHEETS = 309 SHEET NO. = 207	CONTRACT NO. 60M59 ILLINOIS FED. AID PROJECT
	SHEET NO. S-19 OF S-27 SHEETS						