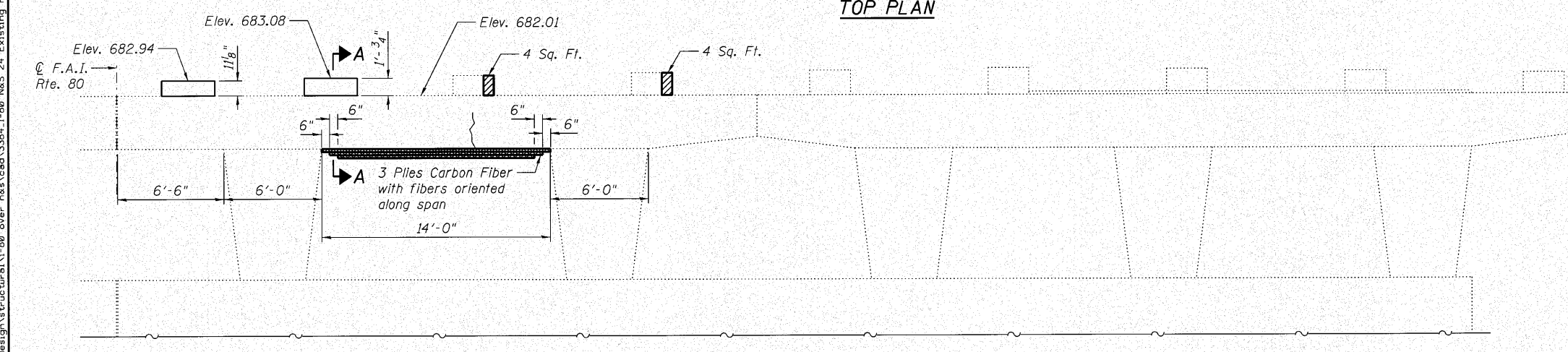
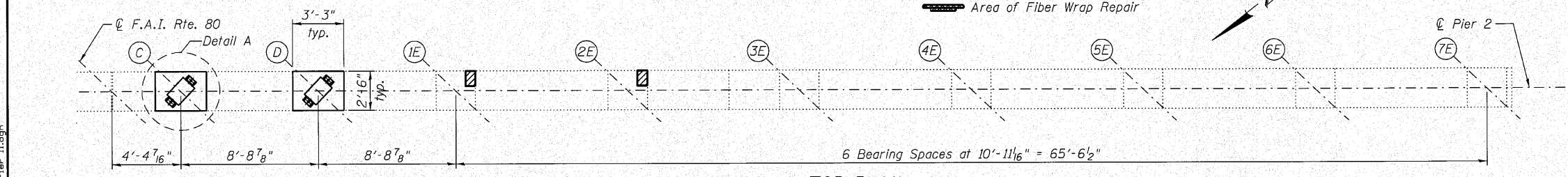


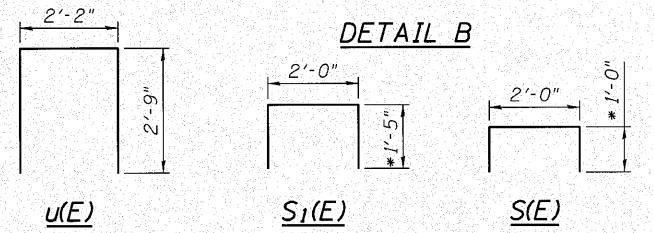
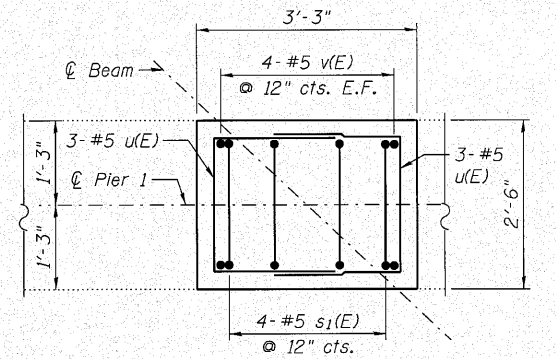
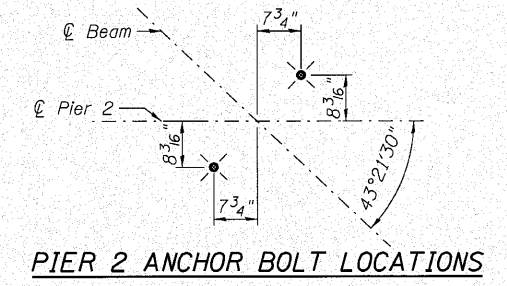
PIER 1 ELEVATION
(Looking East)

LEGEND:

- Areas of Structural Repair of Concrete
- Area of Fiber Wrap Repair



PIER 2 ELEVATION
(Looking East)



MINIMUM CURED LAMINATE PROPERTIES

$f_{tu} = 550,000$ psi
 $E_f = 33,000,000$ psi
 Ply thickness = 0.0130"

NOTES:

1. For Detail A and Section A-A see sheet S-23.
2. See notes 4 thru 8 on Sheet S-23.

BILL OF MATERIAL
FOUR PIERS

Bar	No.	Size	Length	Shape
$s_1(E)$	16	#5	4'-0"	
$s_2(E)$	16	#5	4'-10"	
$u(E)$	48	#5	7'-8"	
$v(E)$	64	#5	1'-6"	
Structural Repair of Concrete (Depth Equal to or less than 5")		Sq. Ft.	22	
Fiber Wrap		Sq. Ft.	260	
Reinforcement Bars, Epoxy Coated		Lb.	640	
Concrete Structures		Cu. Yd.	3.1	
Acrylic Coating		Sq. Yd.	16	
Concrete Sealer		Sq. Ft.	149	
Epoxy Crack Injection		Foot	10	

m:\pro\3384\3.east\design\structural\1-80 over n8s\cad\3384_1-80 N&S 24 Existing Pier II.dgn

Clorba Group, Inc.
CONSULTING ENGINEERS
2010 North...
Suite 100...
Chicago, Illinois 60664
Tel: 773 775 4000
Fax: 773 775 4004
Email: clorba@clorba.com

FILE NAME =	USER NAME = rdenley	DESIGNED - BWS	REVISED -
		CHECKED - EKM	REVISED -
PLOT SCALE =		DRAWN - RD	REVISED -
PLOT DATE = 10/28/2010		CHECKED - SCD	REVISED -

STATE OF ILLINOIS
DEPARTMENT OF TRANSPORTATION

EAST BOUND PIER REPAIRS
STRUCTURE NO. 099-0070 (E.B.) & 099-0071 (W.B.)
SHEET NO. S-24 OF S-27 SHEETS

F.A.I. RTE.	SECTION	COUNTY	TOTAL SHEETS	SHEET NO.
80	99(5&5-1) Y-1	WILL	309	212
CONTRACT NO. 60M59			ILLINOIS FED. AID PROJECT	