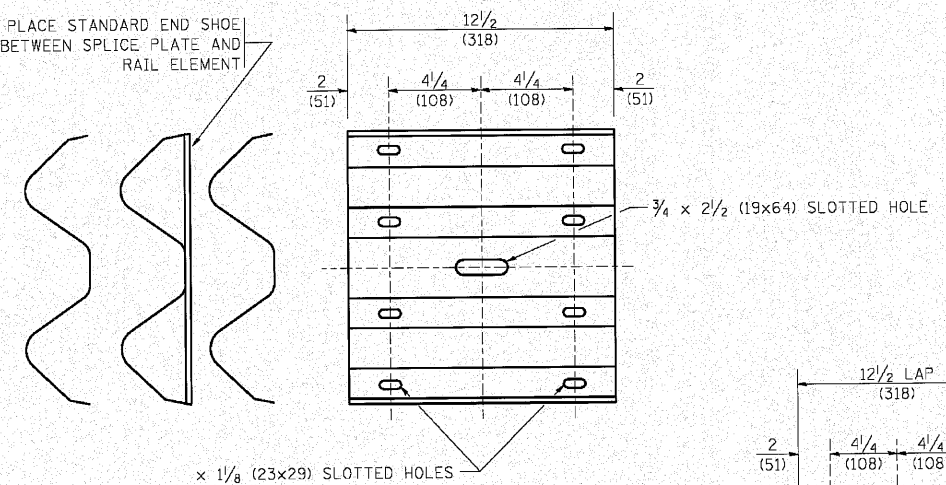
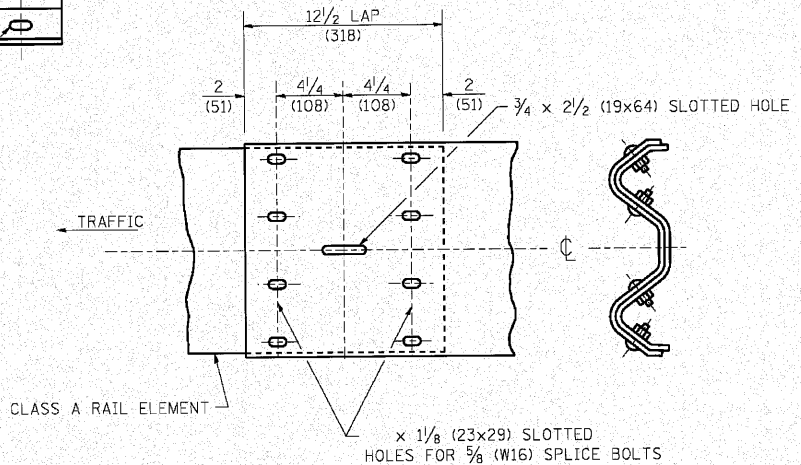


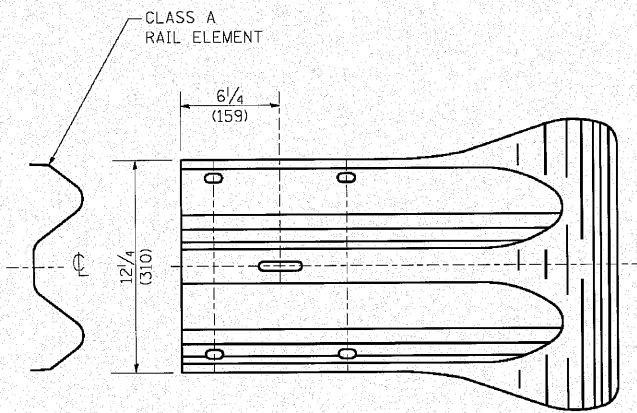
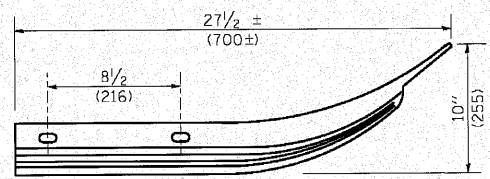
PLACE STANDARD END SHOE BETWEEN SPLICE PLATE AND RAIL ELEMENT



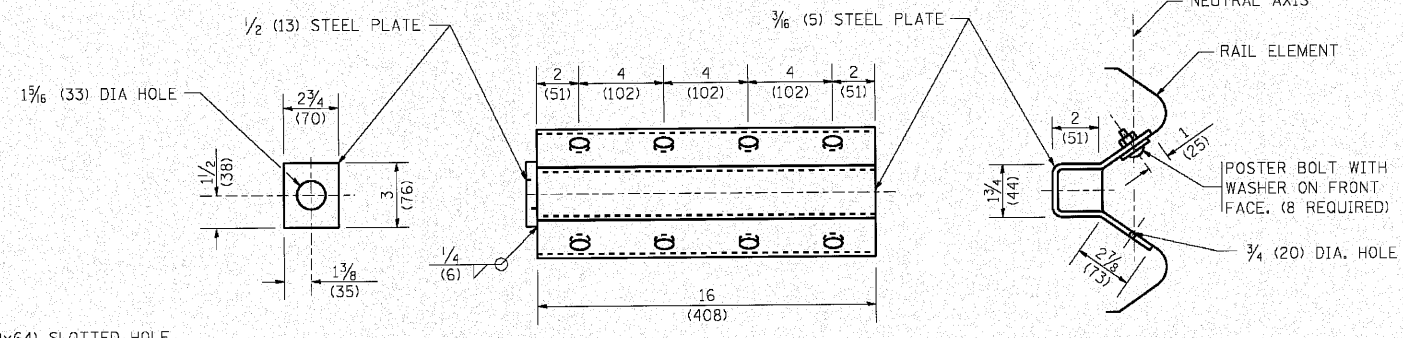
SPLICE PLATE



RAIL ELEMENT SPLICE



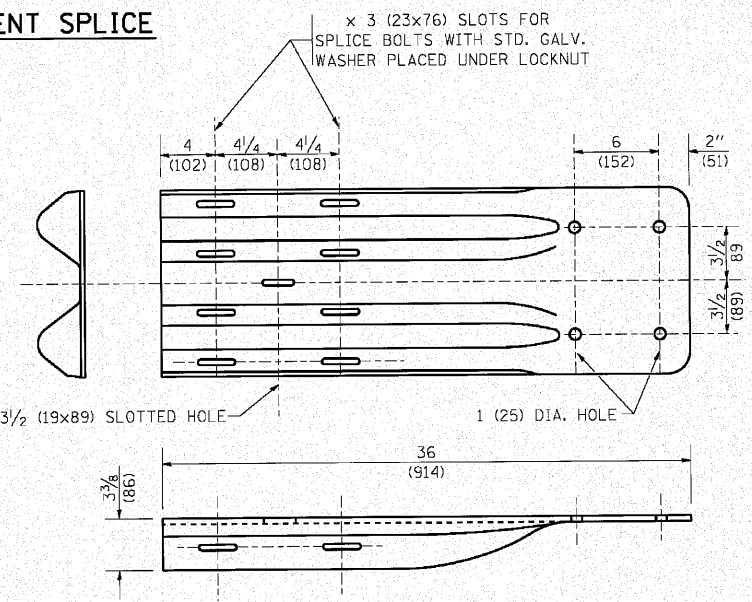
END SECTION



NOTE:

ANCHOR PLATE T SHALL BE USED TO ATTACH CABLE ASSEMBLY TO GUARDRAIL WHEN REQUIRED ON TRAFFIC BARRIER TERMINALS.

ANCHORE PLATE T DETAILS



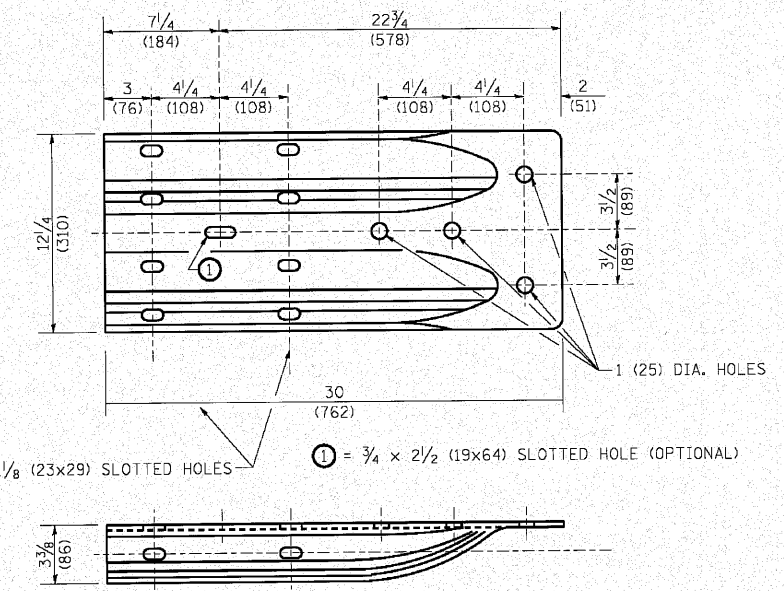
END SHOE

NOTE:

WHEN END SHOE IS ATTACHED TO A BRIDGE PARAPET WHICH HAS AN EXPANSION JOINT, THE BOLTS SHALL BE PROVIDED WITH A LOCKNUT OR DOUBLE NUT AND SHALL BE TIGHTENED ONLY TO A POINT THAT WILL ALLOW GUARDRAIL MOVEMENT.

THE STANDARD END SHOE SHALL BE ATTACHED TO THE CONCRETE WITH PRE-DRILLED OR SELF-DRILLING ANCHOR BOLTS. THE ANCHOR CONE SHALL BE SET FLUSH WITH THE SURFACE OF THE CONCRETE.

EXTERNALLY THREADED STUDS PROTRUDING FROM THE SURFACE OF THE CONCRETE WILL NOT BE PERMITTED.



ALTERNATE END SHOE

N:\PROJECTS\3284\3_Exec\Drawings\3284-Drawings\3284-184C-184d.rvt



ENGINEERING CONSULTANT	USER NAME = gqglianobt	DESIGNED -	REVISED - 10-31-06
		DRAWN -	REVISED -
	PLOT SCALE = 50.0000 ' / IN.	CHECKED -	REVISED -
	PLOT DATE = 1/4/2009	DATE -	REVISED -

**STATE OF ILLINOIS
DEPARTMENT OF TRANSPORTATION**

SCALE: NONE	SHEET NO. 3 OF 4 SHEETS	STA.	TO STA.
-------------	-------------------------	------	---------

F.A.I. RTE.	SECTION	COUNTY	TOTAL SHEETS	SHEET NO.
80	99(5&5-1) Y-1	WILL	309	226
BM-21			CONTRACT NO. 60M59	
FED. ROAD DIST. NO. 1 ILLINOIS FED. AID PROJECT				