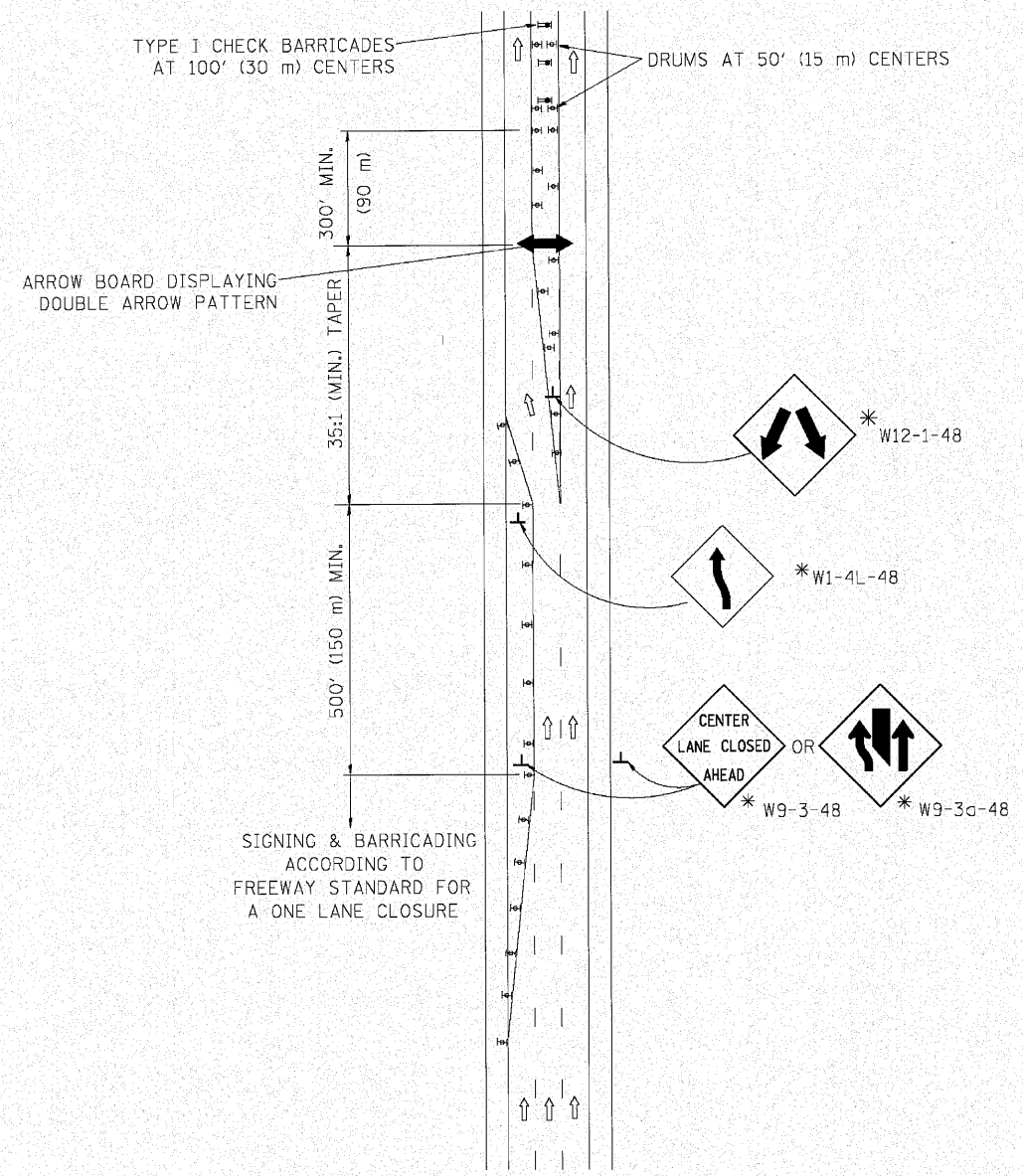
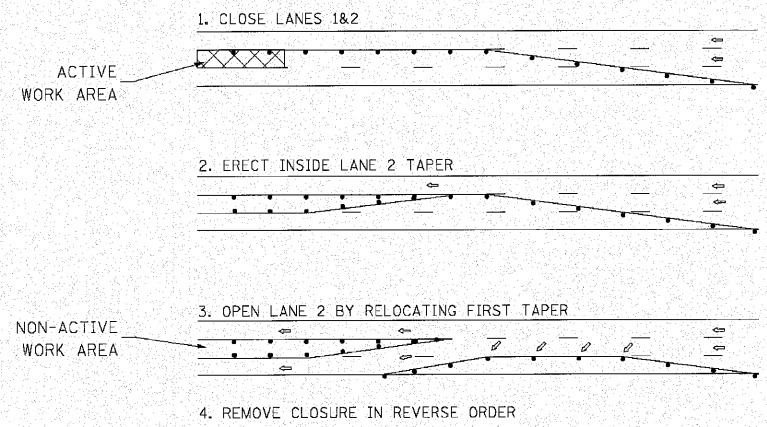


CENTER LANE CLOSURE



INSTALLATION SEQUENCE

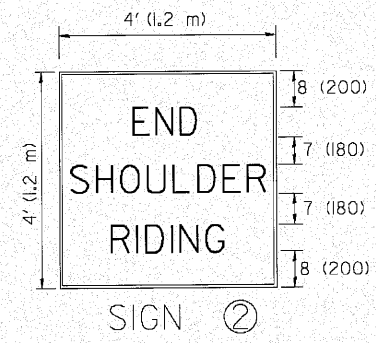
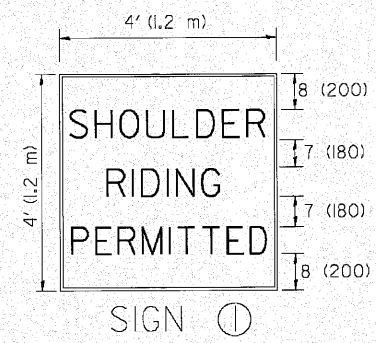
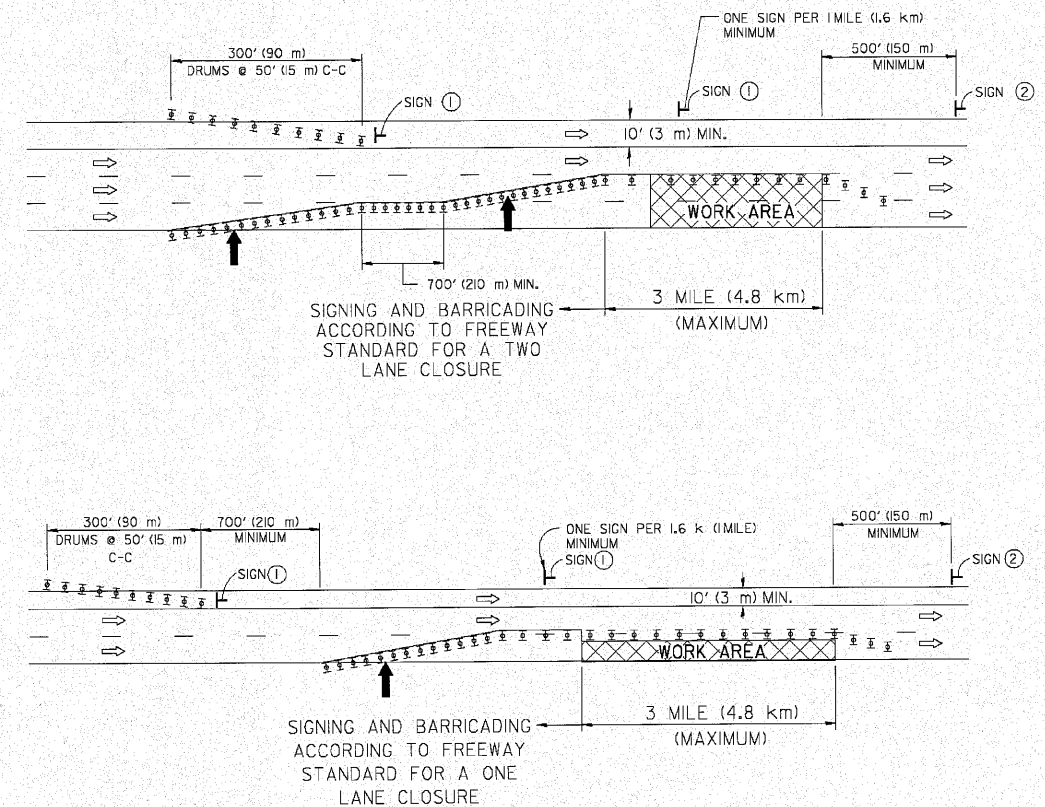


NOTES

1. DRUMS WITH STEADY BURN LIGHTS SHALL BE USED AT 50' (15 m) CENTERS ON ALL TAPERS AND TANGENTS IN ADVANCE OF WORK AREA.
2. CLOSURE SHALL BE USED ONLY FOR OPERATIONS LASTING 72 HOURS OR LESS.
3. CENTER LANE CLOSURE CONFIGURATION IS NOT TO BE USED WITH WORKERS PRESENT.

SHOULDER LANE

NOTE: CLOSURE SHALL BE USED ONLY FOR OPERATIONS LASTING 72 HOURS OR LESS.



6 (150) SERIES "C" LEGEND
BLACK LEGEND
WHITE REFLECT. BACKGROUND
1(25) BORDER

SYMBOLS

- ↑ DIRECTION OF TRAFFIC
- ➡ ARROWBOARD
- ▣ ACTIVE WORK AREA
- ⊥ SIGN ON PORTABLE OR PERMANENT SUPPORT *
- ⊙ TYPE II BARRICADE, OR DRUM WITH MONO-DIRECTIONAL STEADY BURN LIGHT

ALL DIMENSIONS ARE IN INCHES (MILLIMETERS) UNLESS OTHERWISE SHOWN

* ALL SIGNS SHALL BE MOUNTED AT A MINIMUM HEIGHT OF 5' (1.5 m).

NA\FRD\338A\3_East\Drawn\Drawn\3384E-Detail112-US-standby.dwg



ENGINEERING CONSULTANT	USER NAME = lajeo	DESIGNED -	REVISED - J.A.F. 04-03
		DRAWN -	REVISED - S.P.B. 01-07
	PLOT SCALE = 50:1 (200' / 1 IN.)	CHECKED -	REVISED - S.P.B. 12-09
	PLOT DATE = 1/26/2010	DATE -	REVISED -

STATE OF ILLINOIS
DEPARTMENT OF TRANSPORTATION

TRAFFIC CONTROL DETAILS FOR FREEWAY CENTER LANE CLOSURE SHOULDER LANE			
SCALE: NONE	SHEET NO. 1 OF 1 SHEETS	STA.	TO STA.

F.A.I. RTE.	SECTION	COUNTY	TOTAL SHEETS	SHEET NO.
80	99(5&5-1) Y-1	WILL	309	235
TC-25			CONTRACT NO. 60M59	
FED. ROAD DIST. NO. 1 ILLINOIS FED. AID PROJECT				