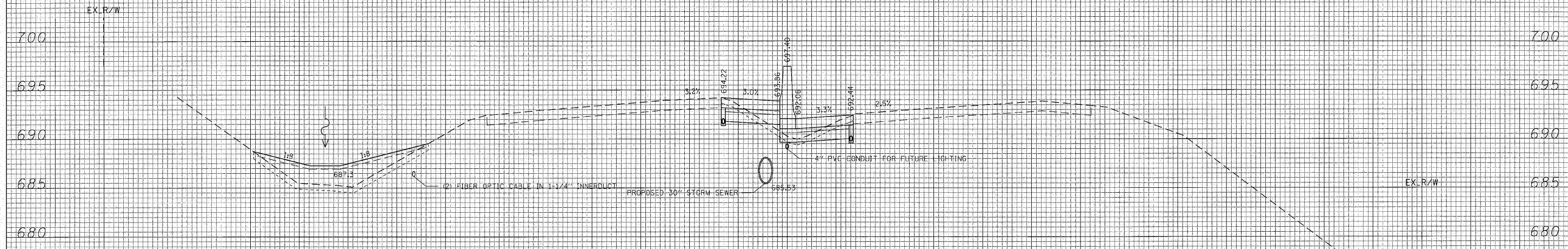


EXCAVATION 0.0 SF  
 EMBANKMENT 12.8 SF  
 REMOVAL OF UNSUITABLE MATERIAL 10.0 SF

EXCAVATION 23.6 SF  
 EMBANKMENT 0.5 SF  
 REMOVAL OF UNSUITABLE MATERIAL 15.8 SF

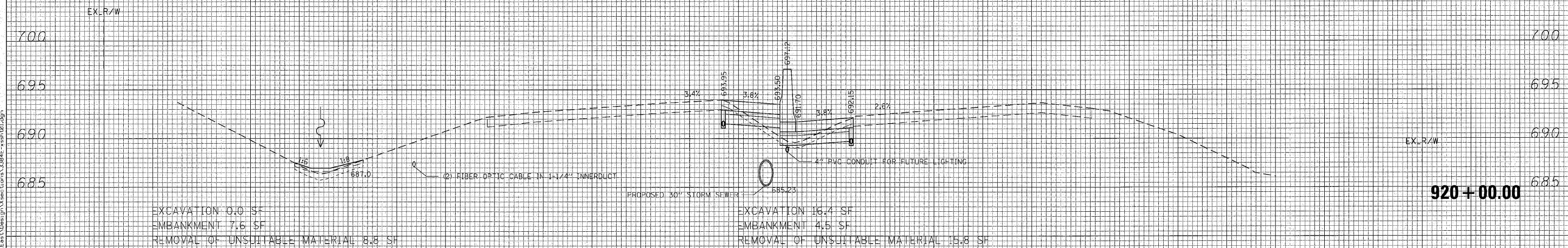
922+00.00



EXCAVATION 0.0 SF  
 EMBANKMENT 62.2 SF  
 REMOVAL OF UNSUITABLE MATERIAL 23.4 SF

EXCAVATION 17.1 SF  
 EMBANKMENT 3.4 SF  
 REMOVAL OF UNSUITABLE MATERIAL 15.8 SF

921+00.00



EXCAVATION 0.0 SF  
 EMBANKMENT 7.6 SF  
 REMOVAL OF UNSUITABLE MATERIAL 8.8 SF

EXCAVATION 16.4 SF  
 EMBANKMENT 4.5 SF  
 REMOVAL OF UNSUITABLE MATERIAL 15.8 SF

920+00.00

FILE NAME = N:\PROJECTS\3384\3\_Envt\Drawings\Sections\3384E-xx.dwg

**Ciorba Group, Inc.**  
 CONSULTING ENGINEERS  
 5507 North Cumberland Avenue, Suite 402  
 Chicago, Illinois 60656  
 Tel. 773.775.4009 Fax 773.775.4014

USER NAME = jk_jellman	DESIGNED - MBT	REVISED -
PLOT SCALE = 1/8" = 1' / IN.	DRAWN - WBL	REVISED -
PLOT DATE = 10/28/2010	CHECKED - MRJ	REVISED -
	DATE - 10/27/2010	REVISED -

**STATE OF ILLINOIS  
 DEPARTMENT OF TRANSPORTATION**

**FAI 80 FROM NS RAILROAD TO US 45  
 MEDIAN CROSS SECTIONS**

SCALE: SHEET NO. OF SHEETS STA. 920+00.00 TO STA. 922+00.00

F.A.I. RTE.	SECTION	COUNTY	TOTAL SHEETS	SHEET NO.
80	9915&5-1) Y-1	WILL	309	256
FED. ROAD DIST. NO. - [ILLINOIS] FED. AID PROJECT			CONTRACT NO. 60M59	