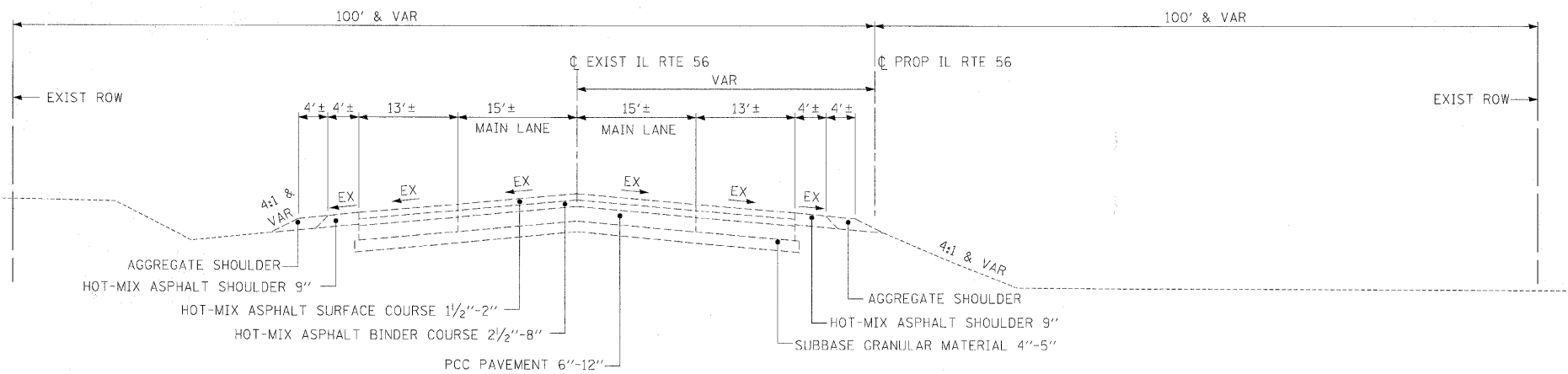
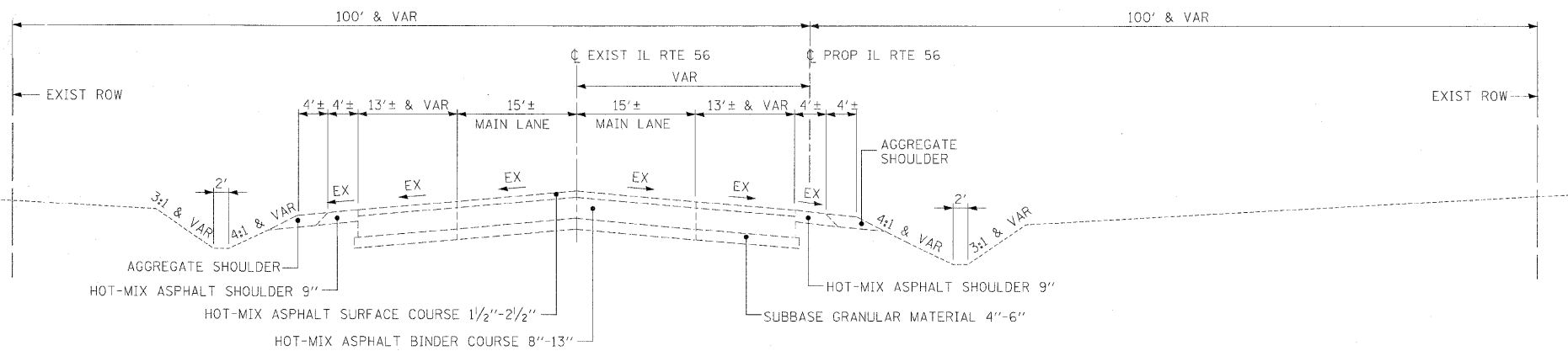


**EXISTING TYPICAL SECTION
IL RTE 56**
STA 255+00 TO STA 267+70



**EXISTING TYPICAL SECTION
IL RTE 56**
STA 267+70 TO STA 275+70
STA 308+10 TO STA 349+50



**EXISTING TYPICAL SECTION
IL RTE 56**
STA 275+70 TO STA 308+10
STA 349+50 TO STA 363+00

NOTE: PAVEMENT THICKNESS IS ESTIMATED BASED ON PAVEMENT CORES AT SPECIFIC LOCATIONS. THICKNESS MAY VARY.

FILE NAME =	DESIGNED - JMM	REVISED -
...\\3162419_Ext_Typ_IL56_01.dgn	DRAWN - TMB	REVISED -
USER NAME = tblank	CHECKED - RMT	REVISED -
PLDT. DATE = 12/7/2010	DATE - 12/6/10	REVISED -

benesch

**STATE OF ILLINOIS
DEPARTMENT OF TRANSPORTATION**

**EXISTING TYPICAL SECTIONS
IL RTE 56**

F.A.P. RTE.	SECTION	COUNTY	TOTAL SHEETS	SHEET NO.
365	(57 & 58)WRS-2	DUPAGE	681	17
				CONTRACT NO. 62419
ILLINOIS FED. AID PROJECT				

SCALE: N.T.S. SHEET NO. 1 OF 14 SHEETS STA. TO STA.