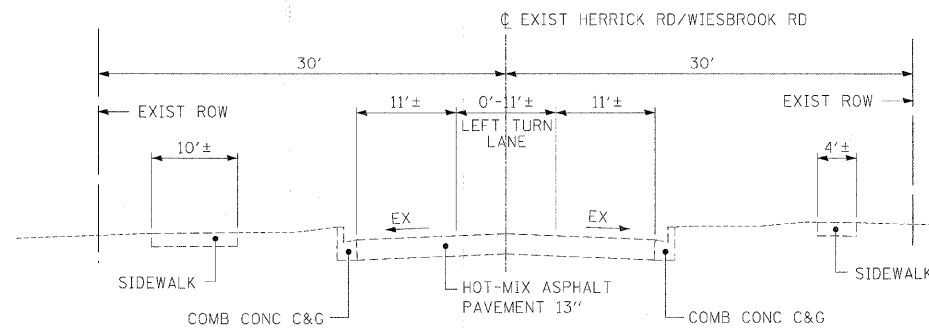


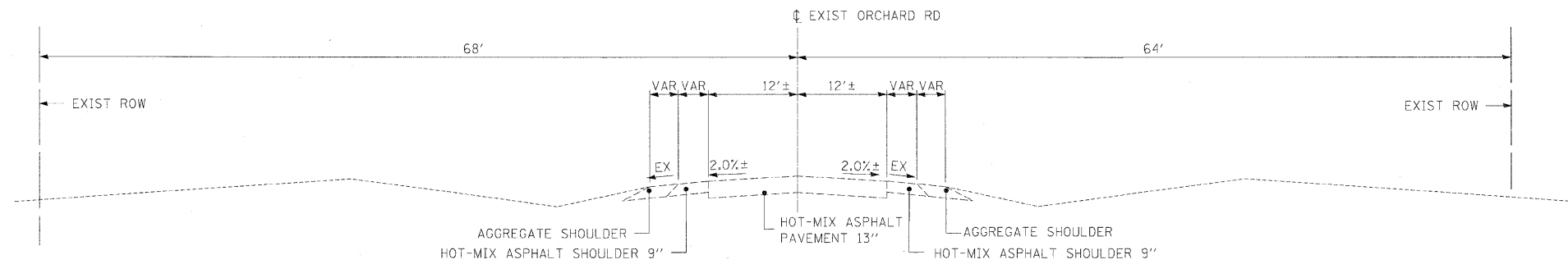
**EXISTING TYPICAL SECTION  
HERRICK RD/WIESBROOK RD**

STA 806+64.89 TO STA 810+35.00



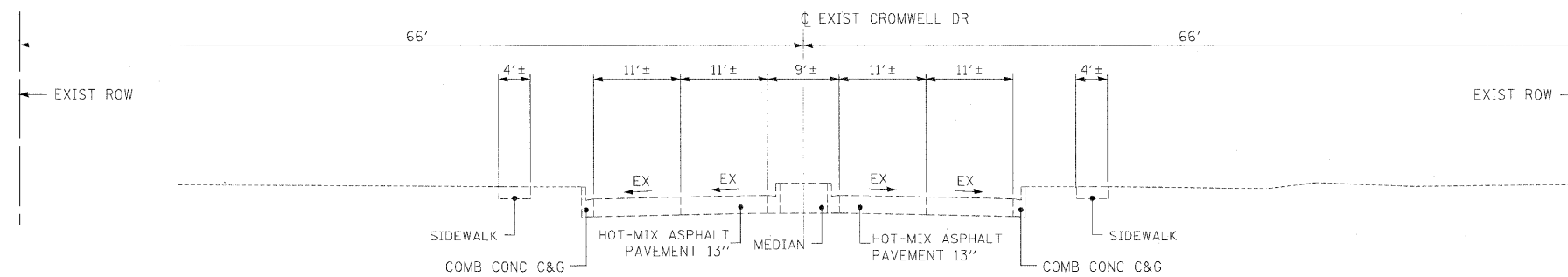
**EXISTING TYPICAL SECTION  
HERRICK RD/WIESBROOK RD**

STA 810+35.00 TO STA 819+70.75



**EXISTING TYPICAL SECTION  
ORCHARD RD**

STA 901+11.96 TO STA 909+42.77



**EXISTING TYPICAL SECTION  
CROMWELL DR**

STA 10000+57.90 TO STA 10001+73.40

NOTE: PAVEMENT THICKNESS IS ESTIMATED BASED ON PAVEMENT CORES AT SPECIFIC LOCATIONS. THICKNESS MAY VARY.

FILE NAME =	DESIGNED - JMM	REVISED -
...\\0162419.Ex_Typ_Crossroads.01.dgn	DRAWN - TMB	REVISED -
USER NAME = tblank	CHECKED - RMT	REVISED -
PLOT DATE = :2/7/2010	DATE - 12/6/10	REVISED -

**benesch**

**STATE OF ILLINOIS  
DEPARTMENT OF TRANSPORTATION**

**EXISTING TYPICAL SECTIONS  
CROSSROADS**

SCALE: N.T.S. SHEET NO. 3 OF 14 SHEETS STA. TO STA.

F.A.P. RTE.	SECTION	COUNTY	TOTAL SHEETS	SHEET NO.
365	(57 & 58)WRS-2	DUPAGE	681	19
ILLINOIS FED. AID PROJECT			CONTRACT NO. 62419	