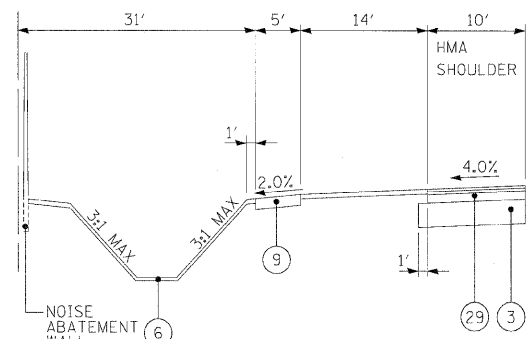


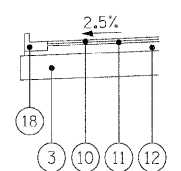
* 5' STA. 293+64.24 TO STA. 320+79.53
 31' STA. 320+79.53 TO STA. 330+05.20
 5' STA. 330+05.20 TO STA. 334+46.45
 10' STA. 334+46.45 TO STA. 343+41.45
 5' STA. 343+41.45 TO STA. 371+80.64
 SEE ROADWAY PLANS FOR SIDEWALK
 GEOMETRY THROUGH INTERSECTIONS

**PROPOSED TYPICAL SECTION
 IL RTE 56**
 STA. 255+00.00 TO STA. 342+40.03
 STA. 358+88.91 TO STA. 380+29.65

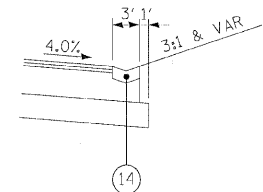
* SEE SHEET 23 FOR TURN LANE
 SECTIONS AND LOCATIONS



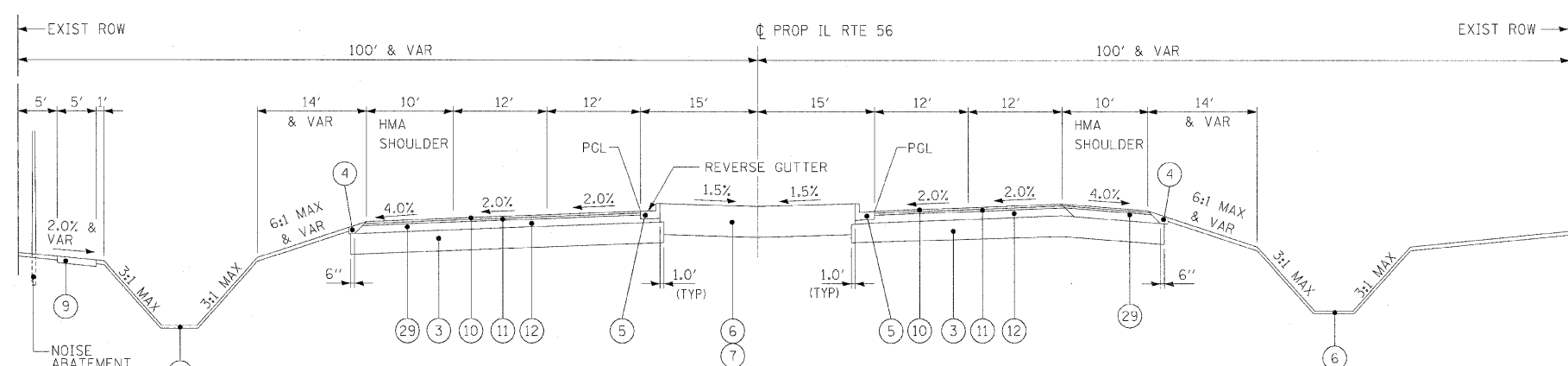
ALTERNATE SIDE SLOPE DETAIL
 STA. 320+79.53 TO STA. 330+05.20



CURB & GUTTER DETAIL
 STA. 304+42.97 TO STA. 305+74.52



DETAIL B
 STA. 255+50.00 TO STA. 260+50.00
 STA. 263+33.00 TO STA. 272+50.00



**PROPOSED TYPICAL SECTION
 IL RTE 56**
 STA. 342+40.03 TO STA. 358+88.91

SE TRANS IN STA. 342+40.03 TO STA. 343+84.03
 SE TRANS OUT STA. 357+44.91 TO STA. 358+88.91

LEGEND

- 1 POLYMERIZED HOT-MIX ASPHALT SURFACE COURSE, MIX "F", N90, 2"
- 2 POLYMERIZED HOT-MIX ASPHALT BINDER COURSE, IL-19, N90, 11"
- 3 AGGREGATE SUBGRADE 12"
- 4 AGGREGATE SHOULDER, TYPE B (2' WIDTH)
- 5 COMBINATION CONCRETE CURB AND GUTTER, TYPE B-6.12
- 6 TOPSOIL FURNISH AND PLACE (SEE LANDSCAPING PLANS FOR DEPTH)
- 7 SEEDING, CLASS _ AND EROSION CONTROL BLANKET (SEE LANDSCAPING PLANS FOR CLASS)
- 8 HOT-MIX ASPHALT SHOULDERS, 8" (MINIMUM 2 LIFTS)
- 9 PORTLAND CEMENT CONCRETE SIDEWALK, 5"
- 10 POLYMERIZED HOT-MIX ASPHALT SURFACE COURSE, STONE MATRIX ASPHALT, N80, 2"
- 11 POLYMERIZED HOT-MIX ASPHALT BINDER COURSE, STONE MATRIX ASPHALT, N80, 2"
- 12 HOT-MIX ASPHALT BINDER COURSE, IL 19.0, N90, 10"
- 13 NOT USED
- 14 CONCRETE GUTTER, TYPE A
- 15 NOT USED
- 16 CONCRETE MEDIAN, TYPE SB-6.12
- 17 SODDING (SALT TOLERANT)
- 18 COMBINATION CONCRETE CURB AND GUTTER, TYPE B-6.24
- 19 COMBINATION CONCRETE CURB AND GUTTER, TYPE B-6.18
- 20 HOT-MIX ASPHALT SURFACE COURSE, MIX "C", N50, 1 1/2"
- 21 HOT-MIX BINDER COURSE, IL-19.0, N50, 3"
- 22 AGGREGATE SUBGRADE 16"
- 23 AGGREGATE BASE COURSE TYPE B, 6"
- 24 GEOTECHNICAL FABRIC FOR GROUND STABILIZATION
- 25 COMPACTED LIMESTONE SCREENINGS (FA, 5), 2"
- 26 COMBINATION CONCRETE CURB AND GUTTER, TYPE M-2.12
- 27 HOT-MIX ASPHALT BASE COURSE WIDENING 11"
- 28 TOPSOIL EXCAVATION AND PLACEMENT (6")
- 29 HOT-MIX ASPHALT SHOULDERS, 14"
- 30 AGGREGATE BASE COURSE TYPE B

ITEMS 10, 11 & 12 SHALL BE COMBINED AND PAID FOR AS HOT-MIX ASPHALT PAVEMENT (FULL DEPTH) 14".

ITEMS 1 & 2 SHALL BE COMBINED AND PAID FOR AS HOT-MIX ASPHALT PAVEMENT (FULL DEPTH) 13" FOR HERRICK RD AND NAPERVILLE RD UNLESS OTHERWISE NOTED.

ITEM 1 SHALL BE USED FOR BITUMINOUS RESURFACING ON WIESBROOK RD AND WILL BE PAID FOR AS POLYMERIZED HOT-MIX ASPHALT SURFACE COURSE, MIX "F", N90

ITEMS 23, 24 & 25 SHALL BE COMBINED AND PAID FOR AS AGGREGATE PATH 8"

ITEMS 10, 11 & 12 SHALL BE COMBINED AND PAID FOR AS HOT-MIX ASPHALT SHOULDERS, 14"

HOT-MIX ASPHALT BINDER COURSE, IL-19, N90 PLACED UNDER COMBINATION CONCRETE CURB AND GUTTER AND CONCRETE MEDIAN IS INCLUDED IN THE COST OF THESE PAY ITEMS.

FILE NAME =	DESIGNED - JMM	REVISED -
...D0162419.Pr...yp..1.56.01.dgn	DRAWN - TMB	REVISED -
USER NAME = tble-k	CHECKED - RMT	REVISED -
PLOT DATE = 12/7/2010	DATE - 12/6/10	REVISED -

benesch

**STATE OF ILLINOIS
 DEPARTMENT OF TRANSPORTATION**

PROPOSED TYPICAL SECTIONS IL RTE 56	
SCALE: N.T.S.	SHEET NO. 5 OF 14 SHEETS
STA. _____	TO STA. _____

F.A.P. RTE.	SECTION	COUNTY	TOTAL SHEET NO.
365	(57 & 58)WRS-2	DUPAGE	681 21
			CONTRACT NO. 62419
ILLINOIS FED. AID PROJECT			