

**LEGEND**

- ① POLYMERIZED HOT-MIX ASPHALT SURFACE COURSE, MIX "F", N90, 2"
- ② POLYMERIZED HOT-MIX ASPHALT BINDER COURSE, IL-19, N90, 11"
- ③ AGGREGATE SUBGRADE 12"
- ④ AGGREGATE SHOULDER, TYPE B (2' WIDTH)
- ⑤ COMBINATION CONCRETE CURB AND GUTTER, TYPE B-6.12
- ⑥ TOPSOIL FURNISH AND PLACE (SEE LANDSCAPING PLANS FOR DEPTH)
- ⑦ SEEDING, CLASS \_\_ AND EROSION CONTROL BLANKET (SEE LANDSCAPING PLANS FOR CLASS)
- ⑧ HOT-MIX ASPHALT SHOULDERS, 8" (MINIMUM 2 LIFTS)
- ⑨ PORTLAND CEMENT CONCRETE SIDEWALK, 5"
- ⑩ POLYMERIZED HOT-MIX ASPHALT SURFACE COURSE, STONE MATRIX ASPHALT, N80, 2"
- ⑪ POLYMERIZED HOT-MIX ASPHALT BINDER COURSE, STONE MATRIX ASPHALT, N80, 2"
- ⑫ HOT-MIX ASPHALT BINDER COURSE, IL 19.0, N90, 10"
- ⑬ NOT USED
- ⑭ CONCRETE GUTTER, TYPE A
- ⑮ NOT USED
- ⑯ CONCRETE MEDIAN, TYPE SB-6.12
- ⑰ SODDING (SALT TOLERANT)
- ⑱ COMBINATION CONCRETE CURB AND GUTTER, TYPE B-6.24
- ⑲ COMBINATION CONCRETE CURB AND GUTTER, TYPE B-6.18
- ⑳ HOT-MIX ASPHALT SURFACE COURSE, MIX "C", N50, 1 1/2"
- ㉑ HOT-MIX BINDER COURSE, IL-19.0, N50, 3"
- ㉒ AGGREGATE SUBGRADE 16"
- ㉓ AGGREGATE BASE COURSE TYPE B, 6"
- ㉔ GEOTECHNICAL FABRIC FOR GROUND STABILIZATION
- ㉕ COMPACTED LIMESTONE SCREENINGS (FA, 5), 2"
- ㉖ COMBINATION CONCRETE CURB AND GUTTER, TYPE M-2.12
- ㉗ HOT-MIX ASPHALT BASE COURSE WIDENING 11"
- ㉘ TOPSOIL EXCAVATION AND PLACEMENT (6")
- ㉙ HOT-MIX ASPHALT SHOULDERS, 14"
- ㉚ AGGREGATE BASE COURSE TYPE B

ITEMS ⑩, ⑪ & ⑫ SHALL BE COMBINED AND PAID FOR AS HOT-MIX ASPHALT PAVEMENT (FULL DEPTH) 14".

ITEMS ① & ② SHALL BE COMBINED AND PAID FOR AS HOT-MIX ASPHALT PAVEMENT (FULL DEPTH) 13" FOR HERRICK RD AND NAPERVILLE RD UNLESS OTHERWISE NOTED.

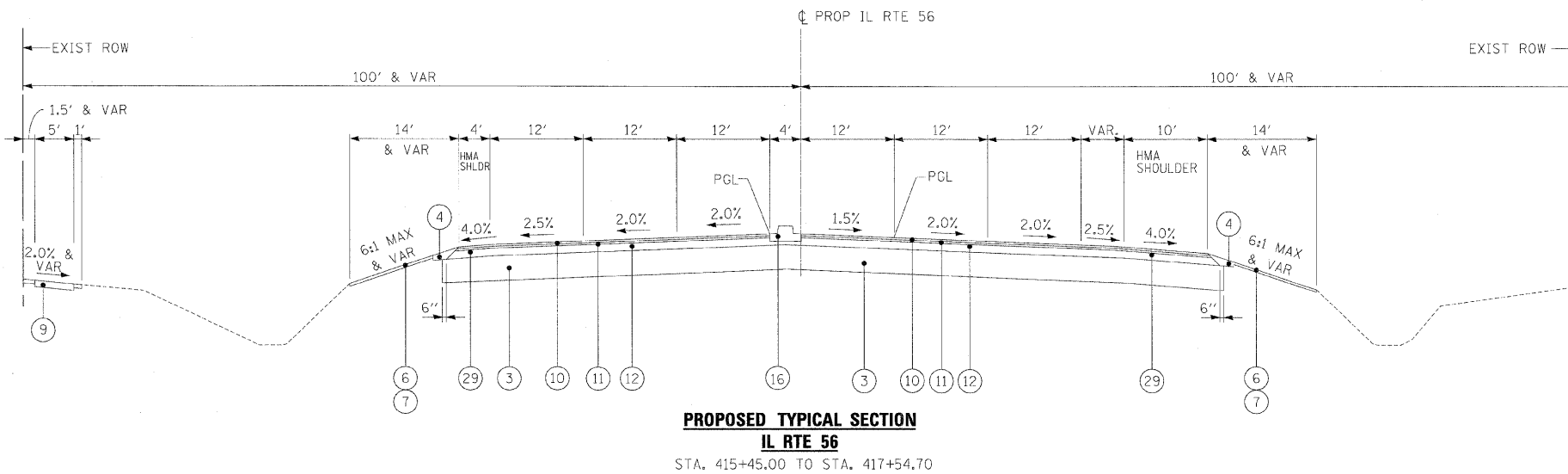
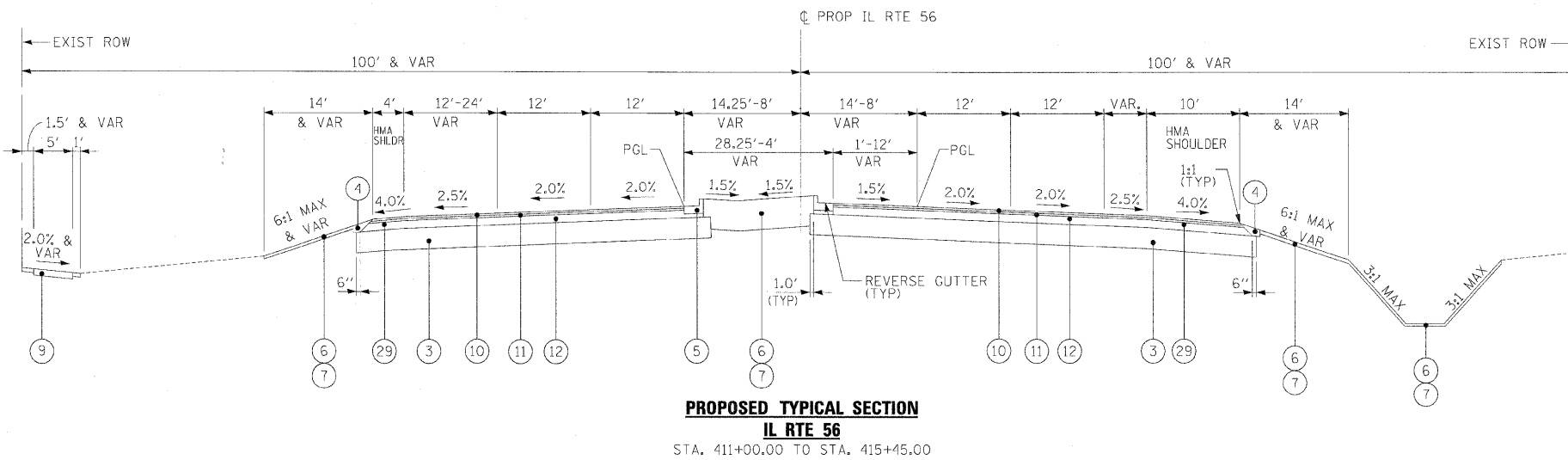
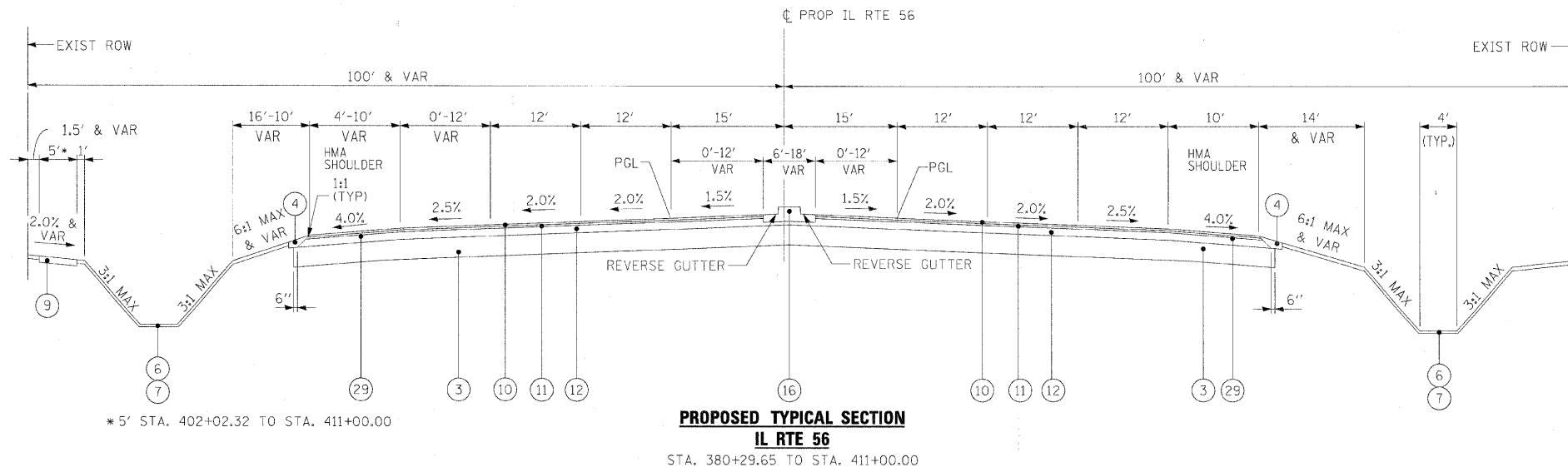
ITEM ④ SHALL BE USED FOR BITUMINOUS RESURFACING ON WIESBROOK RD AND WILL BE PAID FOR AS POLYMERIZED HOT-MIX ASPHALT SURFACE COURSE, MIX "F", N90

ITEMS ⑲, ⑳ & ㉕ SHALL BE COMBINED AND PAID FOR AS AGGREGATE PATH 8"

ITEMS ⑩, ⑪ & ⑫ SHALL BE COMBINED AND PAID FOR AS HOT-MIX ASPHALT SHOULDERS, 14"

HOT-MIX ASPHALT BINDER COURSE, IL-19, N90 PLACED UNDER COMBINATION CONCRETE CURB AND GUTTER AND CONCRETE MEDIAN IS INCLUDED IN THE COST OF THESE PAY ITEMS.

\* SEE SHEET 23 FOR TURN LANE SECTIONS AND LOCATIONS



FILE NAME =	DESIGNED - JMM	REVISED -
...D162419.Pr_Typ_IL56_02.dgn	DRAWN - TWB	REVISED -
USER NAME = tblenk	CHECKED - RMT	REVISED -
PLOT DATE = 12/7/2010	DATE - 12/6/10	REVISED -

**benesch**

**STATE OF ILLINOIS  
DEPARTMENT OF TRANSPORTATION**

**PROPOSED TYPICAL SECTIONS  
IL RTE 56**

SCALE: N.T.S. SHEET NO. 6 OF 14 SHEETS STA. TO STA.

F.A.P. RTE.	SECTION	COUNTY	TOTAL SHEETS	SHEET NO.
365	(57 & 58)WRS-2	DUPAGE	681	22
			CONTRACT NO. 62419	
ILLINOIS FED. AID PROJECT				