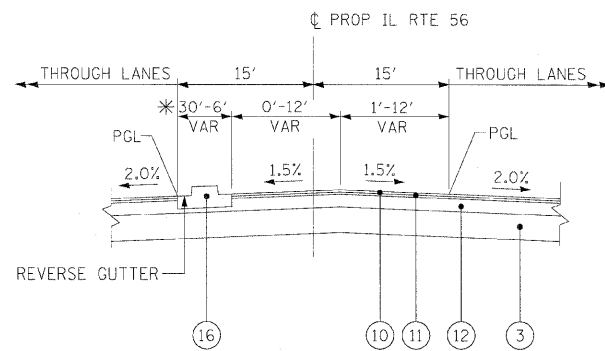


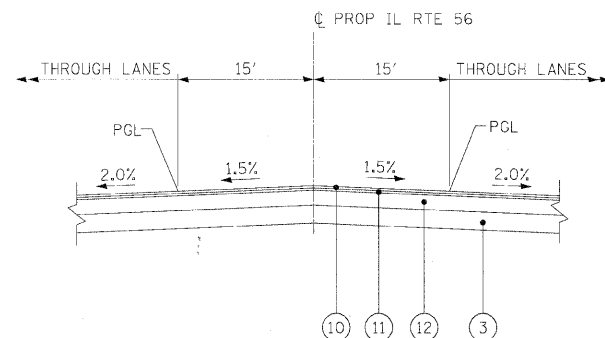
SINGLE LEFT TURN LANE

IL RTE 56
 STA. 261+55.80 TO STA. 266+75.80
 STA. 298+06.38 TO STA. 302+41.38
 STA. 298+94.98 TO STA. 303+34.83
 STA. 323+91.97 TO STA. 328+71.97
 STA. 405+92.77 TO STA. 410+48.01
 STA. 413+12.58 TO STA. 417+52.58

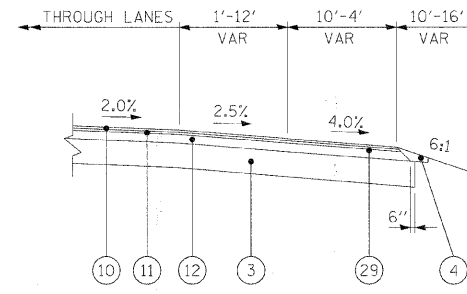


DUAL LEFT TURN LANE

IL RTE 56
 STA. 277+60.18 TO STA. 284+20.73
 STA. 285+59.81 TO STA. 292+11.75
 STA. 316+11.60 TO STA. 321+21.60
 STA. 322+41.97 TO STA. 327+51.97
 STA. 338+52.86 TO STA. 342+40.03
 (S.E. TRANS IN STA. 342+40.03 TO STA. 343+84.03)
 STA. 363+77.42 TO STA. 370+02.42
 STA. 381+94.72 TO STA. 387+69.64
 STA. 388+65.21 TO STA. 393+30.03
 STA. 393+96.72 TO STA. 399+47.97
 STA. 401+50.24 TO STA. 407+42.74

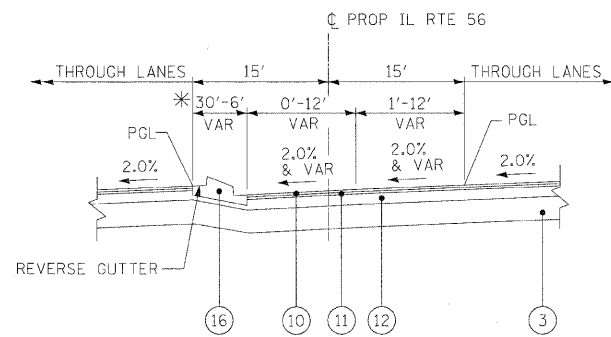


MINOR CROSS ROAD INTERSECTION



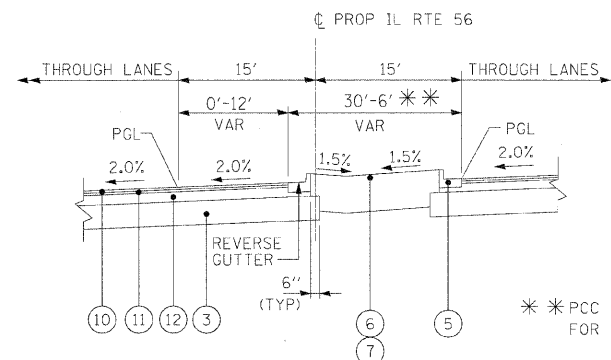
RIGHT TURN LANE

IL RTE 56
 STA. 279+48.03 TO STA. 283+83.03
 STA. 285+85.87 TO STA. 289+77.86
 STA. 292+73.27 TO STA. 297+08.27
 STA. 304+52.76 TO STA. 308+82.91
 STA. 344+91.52 TO STA. 349+28.36
 STA. 371+35.37 TO STA. 375+70.37
 STA. 381+41.82 TO STA. 398+81.74
 STA. 392+95.09 TO STA. 398+49.78
 STA. 402+52.51 TO STA. 406+36.84
 STA. 409+38.42 TO STA. 416+16.11



DUAL LEFT TURN LANE - SUPERELEVATED

IL RTE 56
 STA. 342+40.03 TO STA. 343+62.86
 (SE TRANS IN STA. 342+40.03 TO STA. 343+84.03)



SINGLE LEFT TURN LANE - SUPERELEVATED

IL RTE 56
 STA. 344+93.23 TO STA. 349+28.36

LEGEND

- 1 POLYMERIZED HOT-MIX ASPHALT SURFACE COURSE, MIX "F", N90, 2"
- 2 POLYMERIZED HOT-MIX ASPHALT BINDER COURSE, IL-19, N90, 11"
- 3 AGGREGATE SUBGRADE 12"
- 4 AGGREGATE SHOULDER, TYPE B (2' WIDTH)
- 5 COMBINATION CONCRETE CURB AND GUTTER, TYPE B-6.12
- 6 TOPSOIL FURNISH AND PLACE (SEE LANDSCAPING PLANS FOR DEPTH)
- 7 SEEDING, CLASS 1 AND EROSION CONTROL BLANKET (SEE LANDSCAPING PLANS FOR CLASS)
- 8 HOT-MIX ASPHALT SHOULDERS, 8" (MINIMUM 2 LIFTS)
- 9 PORTLAND CEMENT CONCRETE SIDEWALK, 5"
- 10 POLYMERIZED HOT-MIX ASPHALT SURFACE COURSE, STONE MATRIX ASPHALT, N80, 2"
- 11 POLYMERIZED HOT-MIX ASPHALT BINDER COURSE, STONE MATRIX ASPHALT, N80, 2"
- 12 HOT-MIX ASPHALT BINDER COURSE, IL 19.0, N90, 10"
- 13 NOT USED
- 14 CONCRETE GUTTER, TYPE A
- 15 NOT USED
- 16 CONCRETE MEDIAN, TYPE SB-6.12
- 17 SODDING (SALT TOLERANT)
- 18 COMBINATION CONCRETE CURB AND GUTTER, TYPE B-6.24
- 19 COMBINATION CONCRETE CURB AND GUTTER, TYPE B-6.18
- 20 HOT-MIX ASPHALT SURFACE COURSE, MIX "C", N50, 1 1/2"
- 21 HOT-MIX BINDER COURSE, IL-19.0, N50, 3"
- 22 AGGREGATE SUBGRADE 16"
- 23 AGGREGATE BASE COURSE TYPE B, 6"
- 24 GEOTECHNICAL FABRIC FOR GROUND STABILIZATION
- 25 COMPACTED LIMESTONE SCREENINGS (FA, S), 2"
- 26 COMBINATION CONCRETE CURB AND GUTTER, TYPE M-2.12
- 27 HOT-MIX ASPHALT BASE COURSE WIDENING 11"
- 28 TOPSOIL EXCAVATION AND PLACEMENT (6")
- 29 HOT-MIX ASPHALT SHOULDERS, 14"
- 30 AGGREGATE BASE COURSE TYPE B

ITEMS 10, 11 & 12 SHALL BE COMBINED AND PAID FOR AS HOT-MIX ASPHALT PAVEMENT (FULL DEPTH) 14".

ITEMS 1 & 2 SHALL BE COMBINED AND PAID FOR AS HOT-MIX ASPHALT PAVEMENT (FULL DEPTH) 13" FOR HERRICK RD AND NAPERVILLE RD UNLESS OTHERWISE NOTED.

ITEM 1 SHALL BE USED FOR BITUMINOUS RESURFACING ON WIESBROOK RD AND WILL BE PAID FOR AS POLYMERIZED HOT-MIX ASPHALT SURFACE COURSE, MIX "F", N90

ITEMS 23, 24 & 25 SHALL BE COMBINED AND PAID FOR AS AGGREGATE PATH 8"

ITEMS 10, 11 & 12 SHALL BE COMBINED AND PAID FOR AS HOT-MIX ASPHALT SHOULDERS, 14"

HOT-MIX ASPHALT BINDER COURSE, IL-19, N90 PLACED UNDER COMBINATION CONCRETE CURB AND GUTTER AND CONCRETE MEDIAN IS INCLUDED IN THE COST OF THESE PAY ITEMS.

FILE NAME =	DESIGNED - JMM	REVISED -
...\\0162419.Pr_Typ_IL56_03.dgn	DRAWN - TMB	REVISED -
USER NAME = tblank	CHECKED - RMT	REVISED -
PLOT DATE = 12/7/2010	DATE - 12/6/10	REVISED -

benesch

**STATE OF ILLINOIS
DEPARTMENT OF TRANSPORTATION**

**PROPOSED TYPICAL SECTIONS
IL RTE 56 (ALTERNATE A)**

SCALE: N.T.S. SHEET NO. 7 OF 14 SHEETS STA. TO STA.

F.A.P. RTE.	SECTION	COUNTY	TOTAL SHEETS	SHEET NO.
365	(57 & 58)WRS-2	DUPAGE	681	23
CONTRACT NO. 62419			ILLINOIS FED. AID PROJECT	