

LEGEND

- ① POLYMERIZED HOT-MIX ASPHALT SURFACE COURSE, MIX "F", N90, 2"
- ② POLYMERIZED HOT-MIX ASPHALT BINDER COURSE, IL-19, N90, 11"
- ③ AGGREGATE SUBGRADE 12"
- ④ AGGREGATE SHOULDER, TYPE B (2' WIDTH)
- ⑤ COMBINATION CONCRETE CURB AND GUTTER, TYPE B-6.12
- ⑥ TOPSOIL FURNISH AND PLACE (SEE LANDSCAPING PLANS FOR DEPTH)
- ⑦ SEEDING, CLASS -- AND EROSION CONTROL BLANKET (SEE LANDSCAPING PLANS FOR CLASS)
- ⑧ HOT-MIX ASPHALT SHOULDERS, 8" (MINIMUM 2 LIFTS)
- ⑨ PORTLAND CEMENT CONCRETE SIDEWALK, 5"
- ⑩ POLYMERIZED HOT-MIX ASPHALT SURFACE COURSE, STONE MATRIX ASPHALT, N80, 2"
- ⑪ POLYMERIZED HOT-MIX ASPHALT BINDER COURSE, STONE MATRIX ASPHALT, N80, 2"
- ⑫ HOT-MIX ASPHALT BINDER COURSE, IL 19.0, N90, 10"
- ⑬ NOT USED
- ⑭ CONCRETE GUTTER, TYPE A
- ⑮ NOT USED
- ⑯ CONCRETE MEDIAN, TYPE SB-6.12
- ⑰ SODDING (SALT TOLERANT)
- ⑱ COMBINATION CONCRETE CURB AND GUTTER, TYPE B-6.24
- ⑲ COMBINATION CONCRETE CURB AND GUTTER, TYPE B-6.18
- ⑳ HOT-MIX ASPHALT SURFACE COURSE, MIX "C", N50, 1 1/2"
- ㉑ HOT-MIX BINDER COURSE, IL-19.0, N50, 3"
- ㉒ AGGREGATE SUBGRADE 16"
- ㉓ AGGREGATE BASE COURSE TYPE B, 6"
- ㉔ GEOTECHNICAL FABRIC FOR GROUND STABILIZATION
- ㉕ COMPACTED LIMESTONE SCREENINGS (FA, 5), 2"
- ㉖ COMBINATION CONCRETE CURB AND GUTTER, TYPE M-2.12
- ㉗ HOT-MIX ASPHALT BASE COURSE WIDENING 11"
- ㉘ TOPSOIL EXCAVATION AND PLACEMENT (6")
- ㉙ HOT-MIX ASPHALT SHOULDERS, 14"
- ㉚ AGGREGATE BASE COURSE TYPE B

ITEMS ⑩, ⑪ & ⑫ SHALL BE COMBINED AND PAID FOR AS HOT-MIX ASPHALT PAVEMENT (FULL DEPTH) 14".

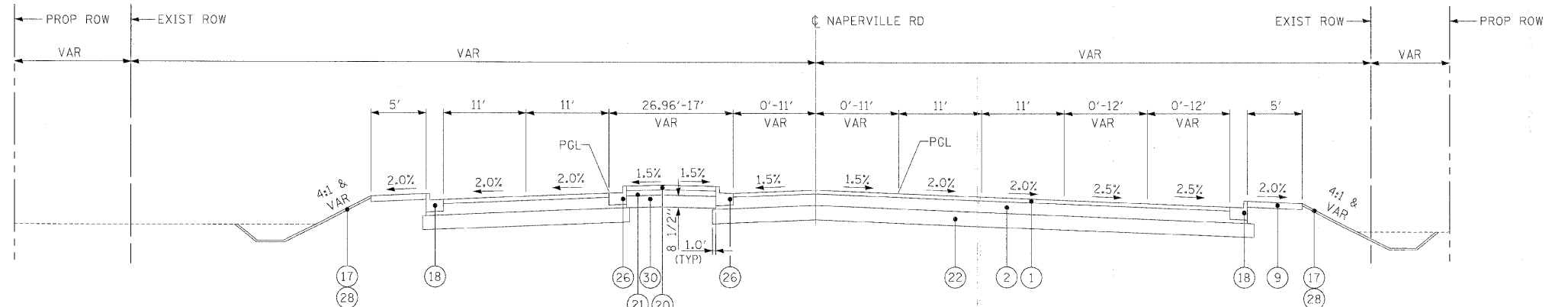
ITEMS ① & ② SHALL BE COMBINED AND PAID FOR AS HOT-MIX ASPHALT PAVEMENT (FULL DEPTH) 13" FOR HERRICK RD AND NAPERVILLE RD UNLESS OTHERWISE NOTED.

ITEM ① SHALL BE USED FOR BITUMINOUS RESURFACING ON WIESBROOK RD AND WILL BE PAID FOR AS POLYMERIZED HOT-MIX ASPHALT SURFACE COURSE, MIX "F", N90

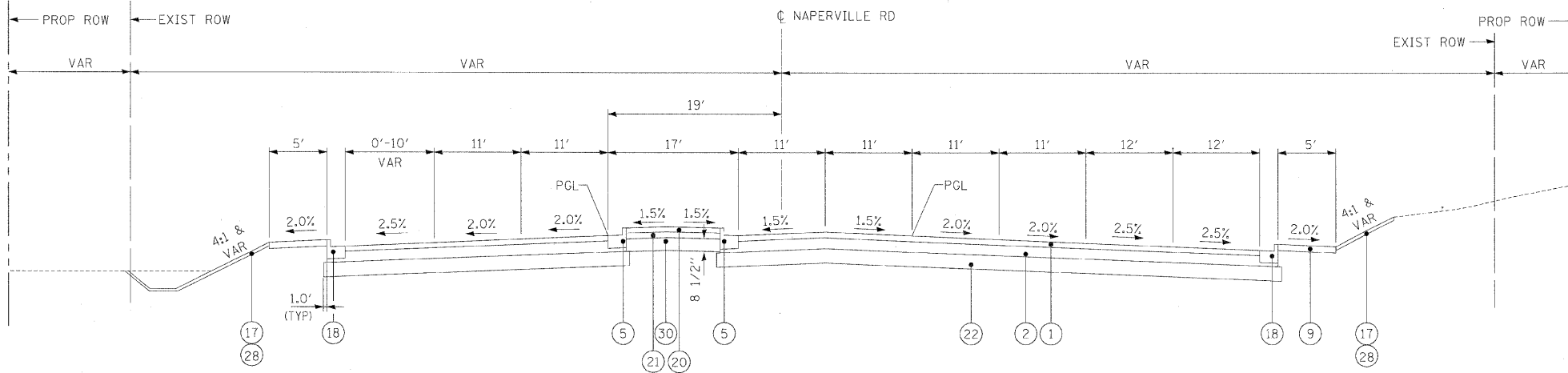
ITEMS ⑲, ⑳ & ㉕ SHALL BE COMBINED AND PAID FOR AS AGGREGATE PATH B"

ITEMS ⑩, ⑪ & ⑫ SHALL BE COMBINED AND PAID FOR AS HOT-MIX ASPHALT SHOULDERS, 14"

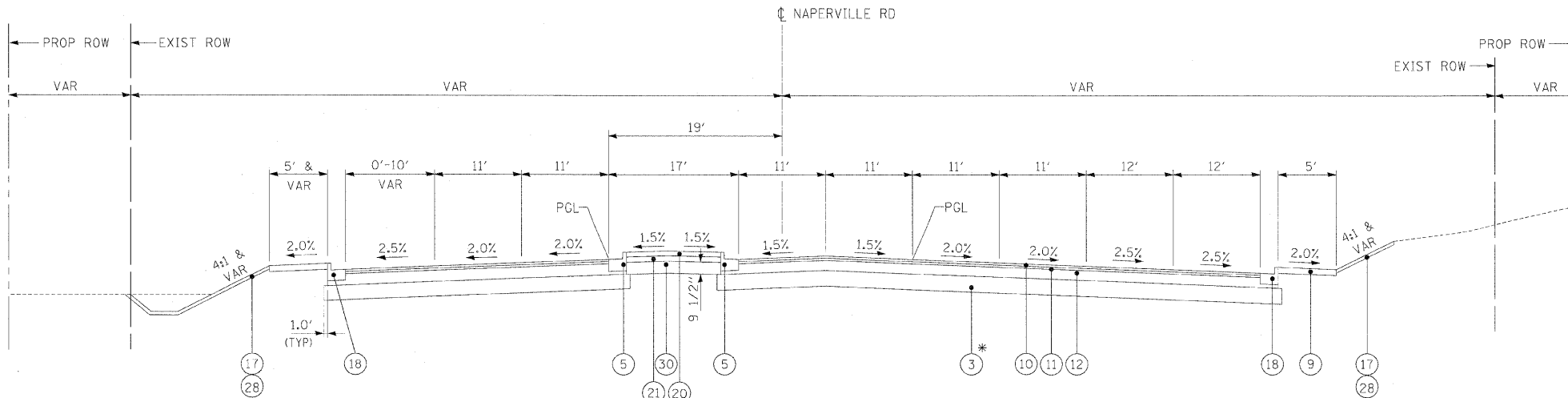
HOT-MIX ASPHALT BINDER COURSE, IL-19, N90 PLACED UNDER COMBINATION CONCRETE CURB AND GUTTER AND CONCRETE MEDIAN IS INCLUDED IN THE COST OF THESE PAY ITEMS.



**PROPOSED TYPICAL SECTION
NAPERVILLE RD**
STA 11015+43.99 TO STA 11019+03.56



**PROPOSED TYPICAL SECTION
NAPERVILLE RD**
STA 11019+03.56 TO STA 11022+31.90



**PROPOSED TYPICAL SECTION
NAPERVILLE RD**
STA 11022+31.90 TO STA 11024+96.92

* AGGREGATE SUBGRADE 12" WILL BE USED THROUGH IL RTE 56 / NAPERVILLE RD INTERSECTION

FILE NAME =	DESIGNED - JMM	REVISED -
...:\D162419_Pr_Typ_Naper_02.dgn	DRAWN - TMB	REVISED -
USER NAME = tblank	CHECKED - RMT	REVISED -
PLOT DATE = 12/7/2010	DATE - 12/6/10	REVISED -

benesch

**STATE OF ILLINOIS
DEPARTMENT OF TRANSPORTATION**

PROPOSED TYPICAL SECTIONS NAPERVILLE RD	
SCALE: N.T.S.	SHEET NO. 13 OF 11 SHEETS
STA.	TO STA.

F.A.P. RTE.	SECTION	COUNTY	TOTAL SHEETS	SHEET NO.
365	(57 & 58)WRS-2	DUPAGE	681	26
ILLINOIS FED. AID PROJECT			CONTRACT NO. 62419	