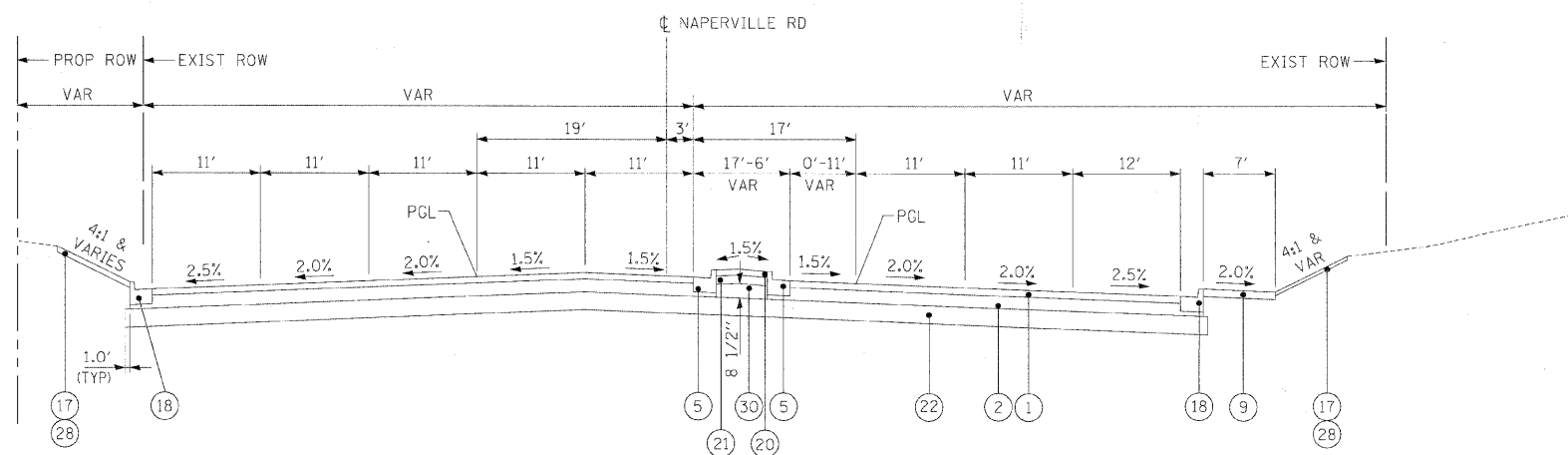
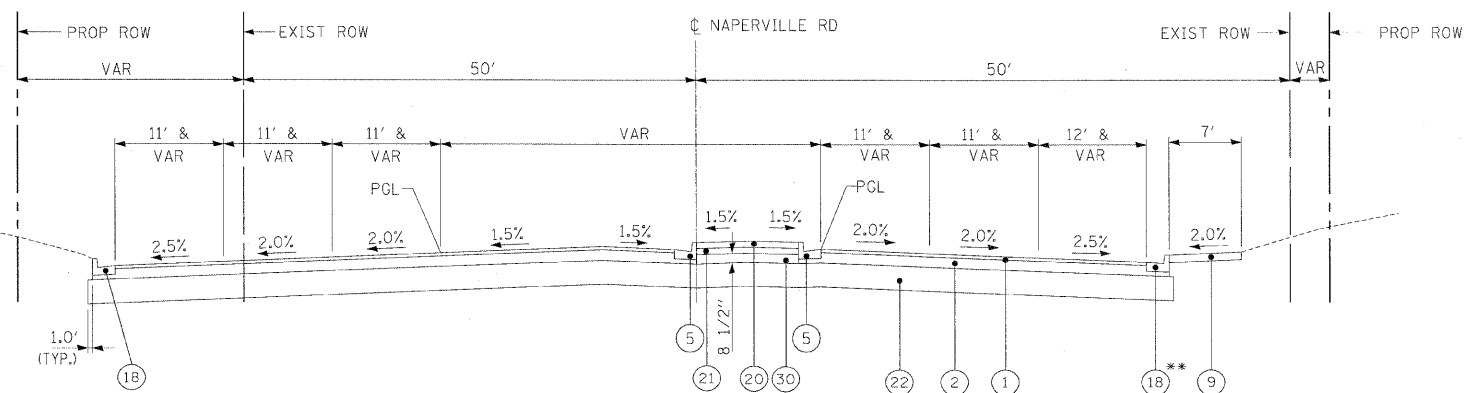


**PROPOSED TYPICAL SECTION
NAPERVILLE RD**
STA 11024+96.92 TO STA 11026+47.99

* AGGREGATE SUBGRADE 12" WILL BE USED THROUGH IL RTE 56 / NAPERVILLE RD INTERSECTION



**PROPOSED TYPICAL SECTION
NAPERVILLE RD**
STA 11026+47.99 TO STA 11031+38.32



**PROPOSED TYPICAL SECTION
NAPERVILLE RD**
STA 11031+38.32 TO STA 11038+47.53

** FOR STA 11037+21.52 TO STA 11038+47.53, USE (19)

LEGEND

- (1) POLYMERIZED HOT-MIX ASPHALT SURFACE COURSE, MIX "F", N90, 2"
- (2) POLYMERIZED HOT-MIX ASPHALT BINDER COURSE, IL-19, N90, 11"
- (3) AGGREGATE SUBGRADE 12"
- (4) AGGREGATE SHOULDER, TYPE B (2' WIDTH)
- (5) COMBINATION CONCRETE CURB AND GUTTER, TYPE B-6.12
- (6) TOPSOIL FURNISH AND PLACE (SEE LANDSCAPING PLANS FOR DEPTH)
- (7) SEEDING, CLASS -- AND EROSION CONTROL BLANKET (SEE LANDSCAPING PLANS FOR CLASS)
- (8) HOT-MIX ASPHALT SHOULDERS, 8" (MINIMUM 2 LIFTS)
- (9) PORTLAND CEMENT CONCRETE SIDEWALK, 5"
- (10) POLYMERIZED HOT-MIX ASPHALT SURFACE COURSE, STONE MATRIX ASPHALT, N80, 2"
- (11) POLYMERIZED HOT-MIX ASPHALT BINDER COURSE, STONE MATRIX ASPHALT, N80, 2"
- (12) HOT-MIX ASPHALT BINDER COURSE, IL 19.0, N90, 10"
- (13) NOT USED
- (14) CONCRETE GUTTER, TYPE A
- (15) NOT USED
- (16) CONCRETE MEDIAN, TYPE SB-6.12
- (17) SODDING (SALT TOLERANT)
- (18) COMBINATION CONCRETE CURB AND GUTTER, TYPE B-6.24
- (19) COMBINATION CONCRETE CURB AND GUTTER, TYPE B-6.18
- (20) HOT-MIX ASPHALT SURFACE COURSE, MIX "C", N50, 1 1/2"
- (21) HOT-MIX BINDER COURSE, IL-19.0, N50, 3"
- (22) AGGREGATE SUBGRADE 16"
- (23) AGGREGATE BASE COURSE TYPE B, 6"
- (24) GEOTECHNICAL FABRIC FOR GROUND STABILIZATION
- (25) COMPACTED LIMESTONE SCREENINGS (FA, 5), 2"
- (26) COMBINATION CONCRETE CURB AND GUTTER, TYPE M-2.12
- (27) HOT-MIX ASPHALT BASE COURSE WIDENING 11"
- (28) TOPSOIL EXCAVATION AND PLACEMENT (6")
- (29) HOT-MIX ASPHALT SHOULDERS, 14"
- (30) AGGREGATE BASE COURSE TYPE B

ITEMS (10), (11) & (12) SHALL BE COMBINED AND PAID FOR AS HOT-MIX ASPHALT PAVEMENT (FULL DEPTH) 14".

ITEMS (1) & (2) SHALL BE COMBINED AND PAID FOR AS HOT-MIX ASPHALT PAVEMENT (FULL DEPTH) 13" FOR HERRICK RD AND NAPERVILLE RD UNLESS OTHERWISE NOTED.

ITEM (1) SHALL BE USED FOR BITUMINOUS RESURFACING ON WIESBROOK RD AND WILL BE PAID FOR AS POLYMERIZED HOT-MIX ASPHALT SURFACE COURSE, MIX "F", N90

ITEMS (23), (24) & (25) SHALL BE COMBINED AND PAID FOR AS AGGREGATE PATH 8"

ITEMS (10), (11) & (12) SHALL BE COMBINED AND PAID FOR AS HOT-MIX ASPHALT SHOULDERS, 14"

HOT-MIX ASPHALT BINDER COURSE, IL-19, N90 PLACED UNDER COMBINATION CONCRETE CURB AND GUTTER AND CONCRETE MEDIAN IS INCLUDED IN THE COST OF THESE PAY ITEMS.

FILE NAME =	DESIGNED - JMM	REVISED -
... \0162419_Pr_Typ_Naper_03_hma.dgn	DRAWN - TMB	REVISED -
USER NAME = tblank	CHECKED - RMT	REVISED -
PLOT DATE = 12/7/2010	DATE - 12/6/10	REVISED -

benesch

**STATE OF ILLINOIS
DEPARTMENT OF TRANSPORTATION**

**PROPOSED TYPICAL SECTIONS
NAPERVILLE RD**

SCALE: N.T.S. SHEET NO.14 OF 11 SHEETS STA. TO STA.

F.A.P. RTE.	SECTION	COUNTY	TOTAL SHEETS	SHEET NO.
365	(57 & 58)WRS-2	DUPAGE	681	27
			CONTRACT NO. 62419	
ILLINOIS FED. AID PROJECT				