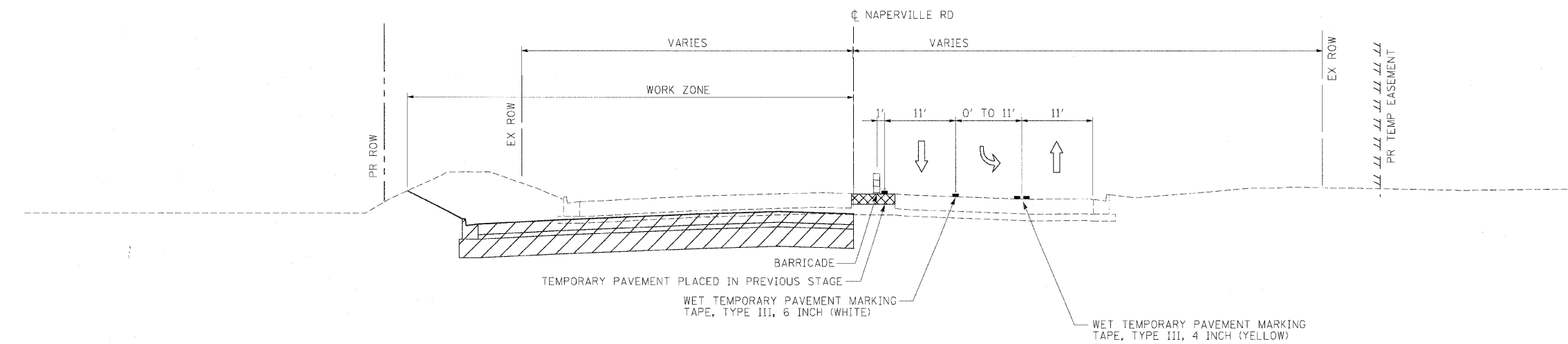


**STAGE 1  
NAPERVILLE RD**  
STA. 11010+75.62 TO STA. 11022+01.31



**STAGE 1  
NAPERVILLE RD**  
STA. 11024+97.58 TO STA. 11038+47.53

FILE NAME =	DESIGNED - JMM	REVISED -
...D162419.MOT Typ Naper.dgn	DRAWN - TMB	REVISED -
USER NAME = tblank	CHECKED - RMT	REVISED -
PLOT DATE = 12/7/2010	DATE - 12/6/10	REVISED -

**benesch**

**STATE OF ILLINOIS  
DEPARTMENT OF TRANSPORTATION**

**MAINTENANCE OF TRAFFIC  
TYPICAL SECTIONS**

SCALE: N.T.S. SHEET NO.10 OF 112 SHEETS STA. TO STA.

F.A.P. RTE.	SECTION	COUNTY	TOTAL SHEETS	SHEET NO.
365	(57 & 58)WRS-2	DUPAGE	681	102
CONTRACT NO. 62419			ILLINOIS FED. AID PROJECT	