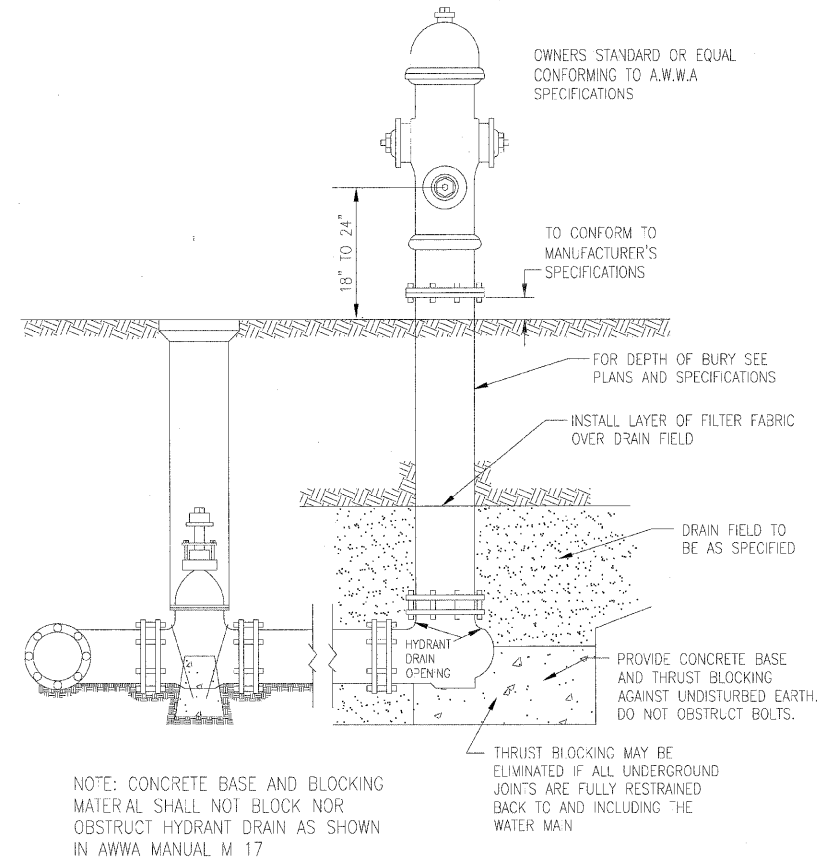
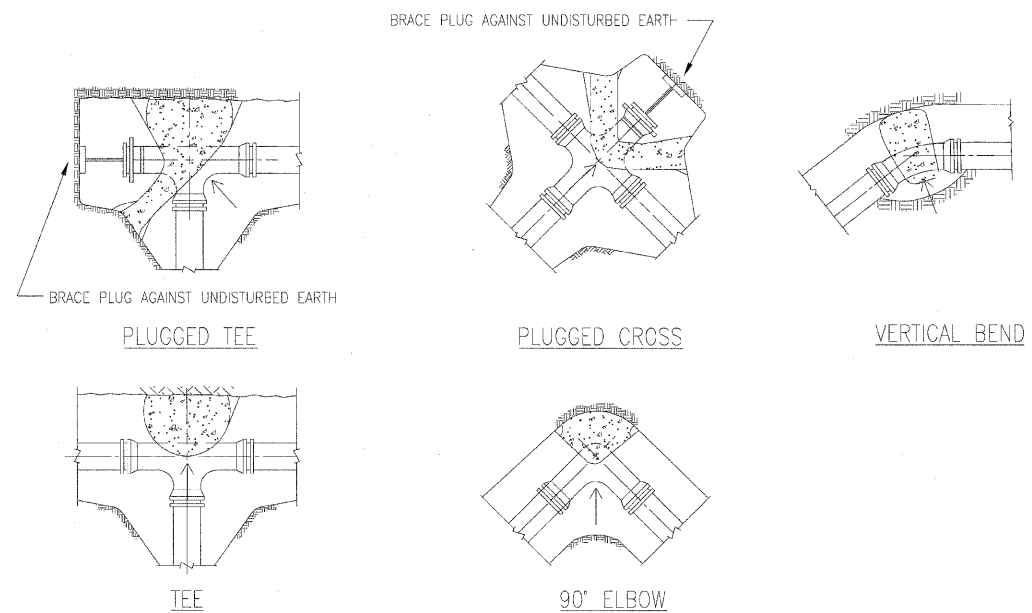


RIGID PIPE INSTALLATION DETAIL

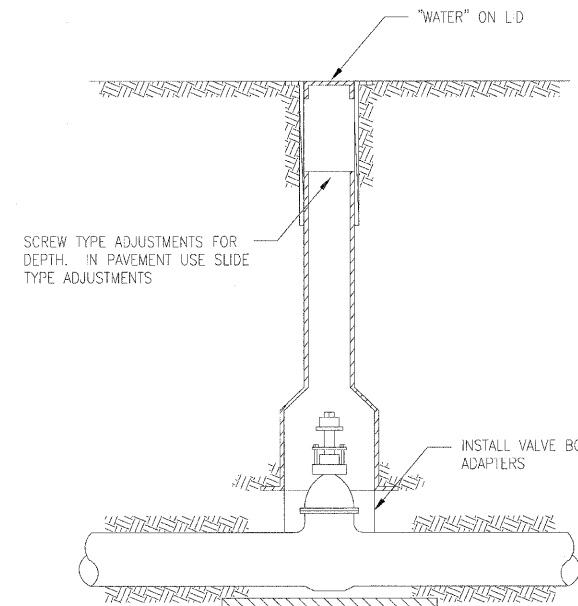


TYPICAL HYDRANT INSTALLATION



NOTE: ALL BLOCKS BEAR AGAINST UNDISTURBED EARTH. ARROWS INDICATE DIRECTION OF THRUST. ALL BLOCKS TO BE 3000 P.S.I CONCRETE. ALL FITTINGS SHOWN IN PLAN EXCEPT VERTICAL BEND.

TYPICAL THRUST BLOCK INSTALLATIONS



TYPICAL VALVE BOX INSTALLATION

FILE NAME =	DESIGNED - JMM	REVISED -
...D162419-ahs-wm-de101.dgn	DRAWN - TMB	REVISED -
USER NAME = tbenk	CHECKED - RMT	REVISED -
PLOT DATE = 12/7/2010	DATE - 12/6/10	REVISED -

benesch

**STATE OF ILLINOIS
DEPARTMENT OF TRANSPORTATION**

WATERMAIN DETAILS

SCALE: NTS SHEET NO.10 OF 11 SHEETS STA. TO STA.

F.A.P. R.T.E.	SECTION	COUNTY	TOTAL SHEETS	SHEET NO.
365	(57 & 58)WRS-2	DUPAGE	681	294
CONTRACT NO. 62419			ILLINOIS FED. AID PROJECT	