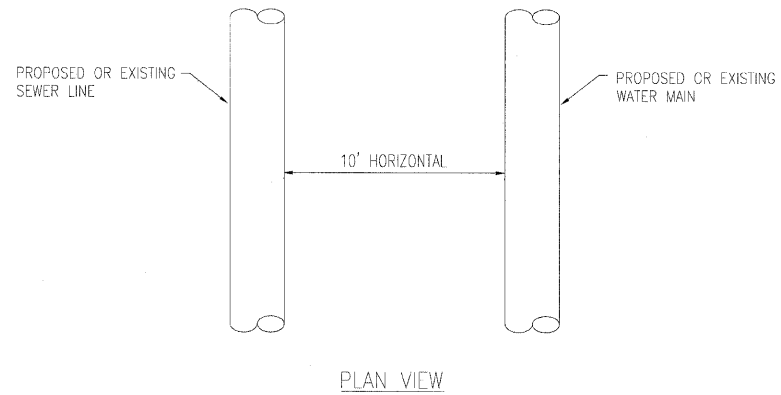
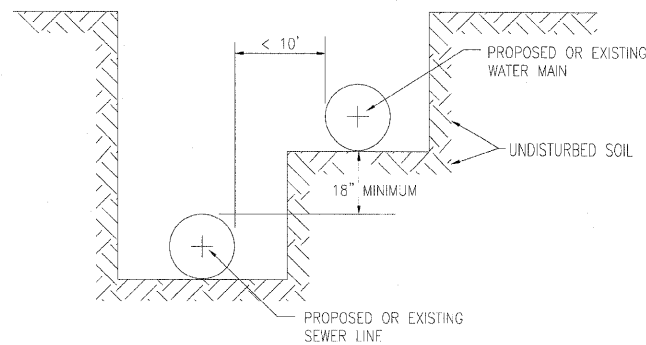


WHEN PROPOSED SEWER (OR WATER) IS LOCATED 10 FEET OR MORE FROM EXISTING WATER (OR SEWER), NO SPECIAL CONSTRUCTION REQUIRED. SEE ARTICLE 41-2.01A (1)



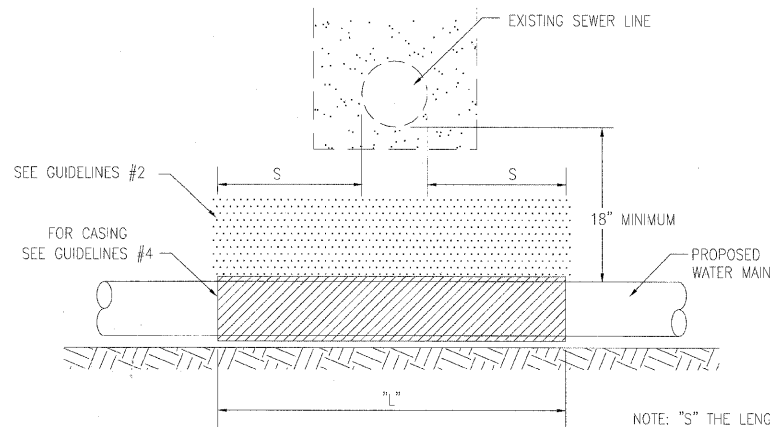
WHEN PROPOSED SEWER (OR WATER) IS LOCATED LESS THAN 10 FEET FROM EXISTING WATER (OR SEWER), DETAILS BELOW SHALL APPLY. SEE ARTICLE 41-2.01B (2)



WATER AND SEWER SEPERATION REQUIREMENTS – HORIZONTAL SEPERATION

PROPOSED WATER MAIN BELOW EXISTING SEWER LINE WITH 18" MINIMUM VERTICAL SEPERATION.

NOTE: COMPACTION REQUIREMENTS REFER TO ARTICLE 20-4

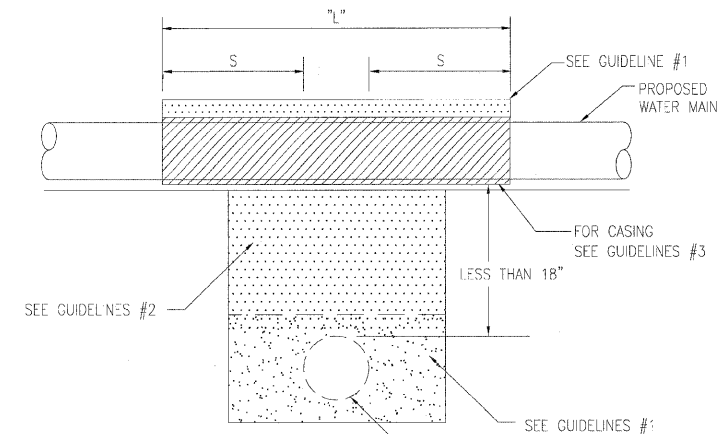


NOTE: "S" THE LENGTH NECESSARY TO PROVIDE 10 FEET OF SEPERATION AS MEASURED PERPENDICULAR TO THE EXISTING SEWER LINE

WATER AND SEWER SEPERATION REQUIREMENTS – VERTICAL SEPERATION

PROPOSED WATER MAIN ABOVE EXISTING SEWER LINE WITH LESS THAN 18" VERTICAL SEPERATION

NOTE: COMPACTION REQUIREMENTS REFER TO ARTICLE 20-4



NOTE: "S" THE LENGTH NECESSARY TO PROVIDE 10 FEET OF SEPERATION AS MEASURED PERPENDICULAR TO THE EXISTING SEWER LINE.

WATER AND SEWER SEPERATION REQUIREMENTS – VERTICAL SEPERATION

GUIDELINES

1. OMIT SELECT GRANULAR EMBEDMENT AND GRANULAR BACKFILL TO ONE (1) FOOT OVER TOP OF WATER MAIN AND USE SELECT EXCAVATED MATERIAL (CLASS IV) AND COMPACT THE LENGTH OF "L".
2. IF SELECT GRANULAR BACKFILL EXISTS, REMOVE WITHIN WIDTH OF EXISTING SEWER LINE TRENCH AND REPLACE WITH SELECT EXCAVATED MATERIAL (CLASS IV) AND COMPACT.
3. USE "L" FEET OF WATER MAIN MATERIAL FOR CASING OF PROPOSED WATER MAIN AND SEAL ENDS OF CASING.
4. POINT LOADS SHALL NOT BE ALLOWED BETWEEN WATER MAIN CASING AND SEWER

GUIDELINES

1. OMIT SELECT GRANULAR EMBEDMENT AND GRANULAR BACKFILL TO ONE (1) FOOT OVER TOP OF WATER MAIN AND USE SELECT EXCAVATED MATERIAL (CLASS IV) AND COMPACT THE LENGTH OF "L".
2. IF SELECT GRANULAR BACKFILL EXISTS, REMOVE WITHIN WIDTH OF EXISTING SEWER LINE TRENCH AND REPLACE WITH SELECT EXCAVATED MATERIAL (CLASS IV) AND COMPACT.
3. PROVIDE ADEQUATE SUPPORT FOR EXISTING SEWER LINE TO PREVENT DAMAGE DUE TO SETTLEMENT.
4. USE "L" FEET OF WATER MAIN MATERIAL FOR CASING OF PROPOSED WATER MAIN AND SEAL ENDS OF CASING.

FILE NAME =	DESIGNED - JMM	REVISED -	benesch	STATE OF ILLINOIS DEPARTMENT OF TRANSPORTATION	WATERMAIN DETAILS			F.A.P. RTE.	SECTION	COUNTY	TOTAL SHEETS	SHEET NO.
...ND162419-shr-wm-de02.dgn	DRAWN - TMB	REVISED -			365	(57 & 58)WRS-2	DUPAGE	681	295			
USER NAME = tblank	CHECKED - RMT	REVISED -			CONTRACT NO. 62419			ILLINOIS FED. AID PROJECT				
PLOT DATE = 12/7/2010	DATE - 12/6/10	REVISED -			SCALE: NTS	SHEET NO. 11	OF 11 SHEETS	STA.	TO STA.			