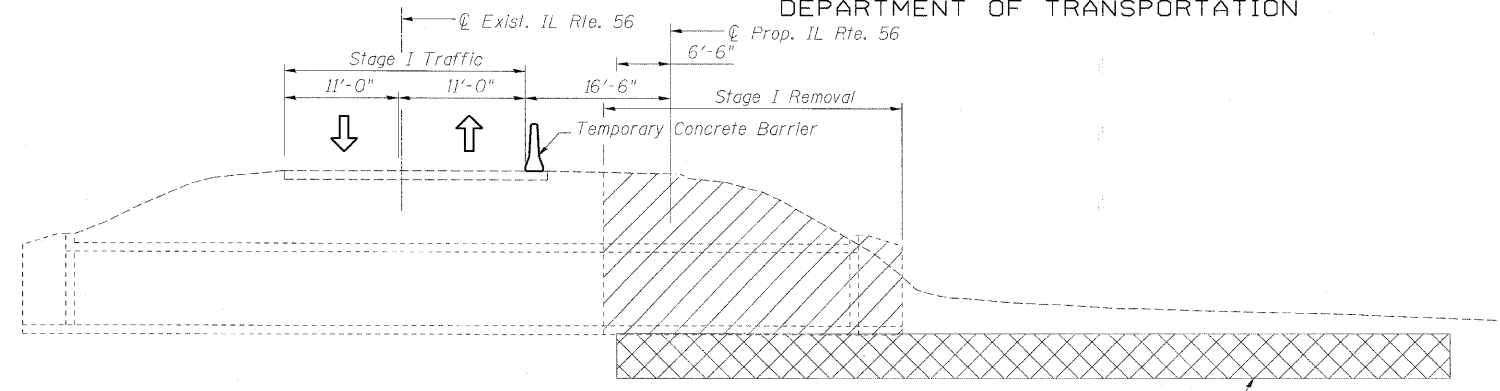
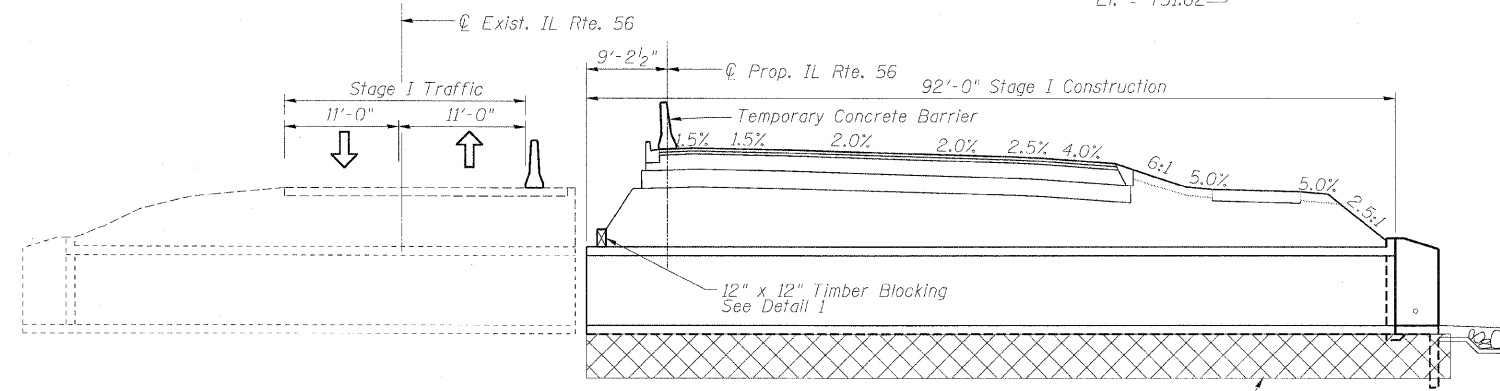


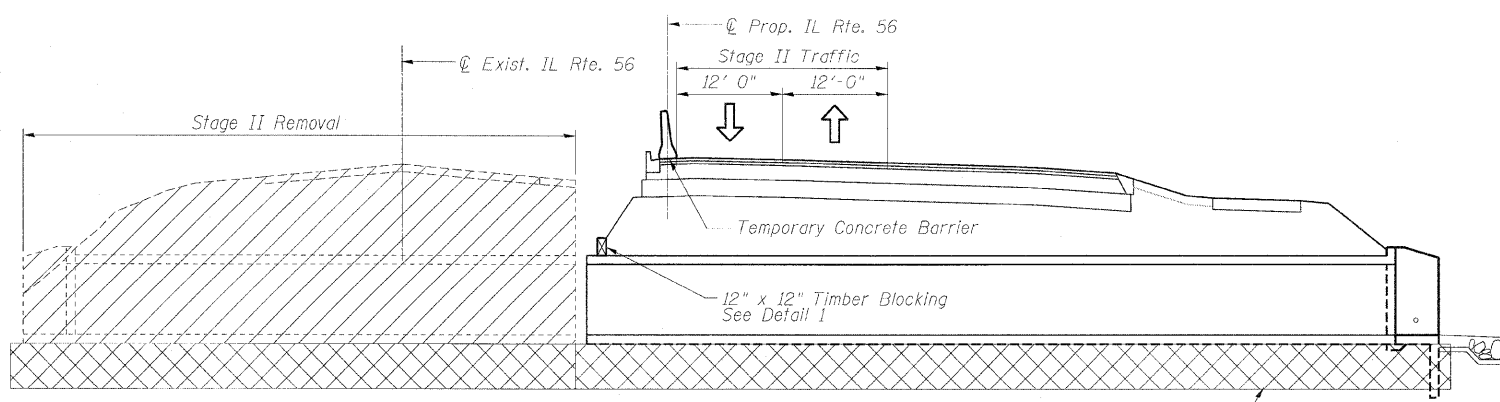
STATE OF ILLINOIS  
DEPARTMENT OF TRANSPORTATION



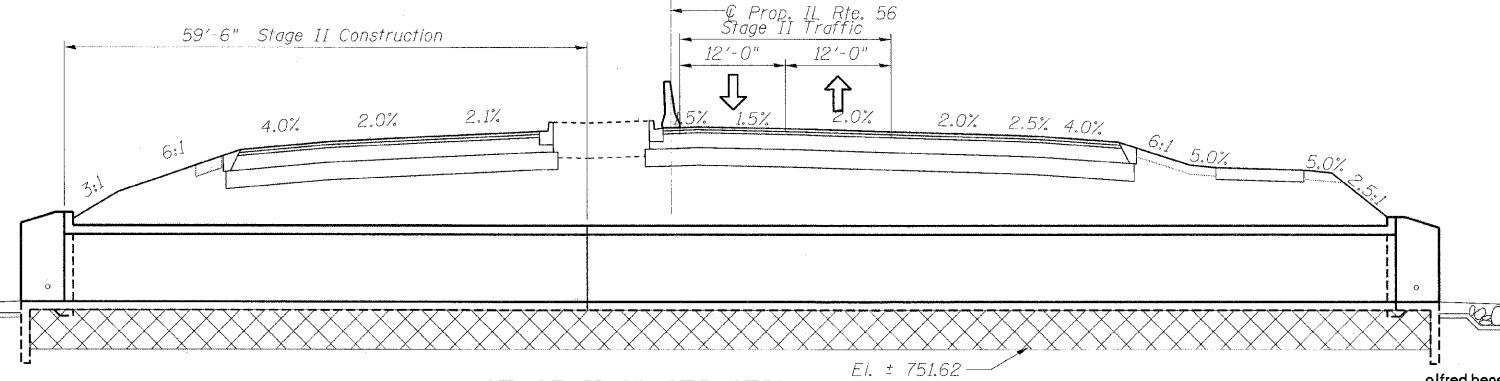
STAGE I REMOVAL



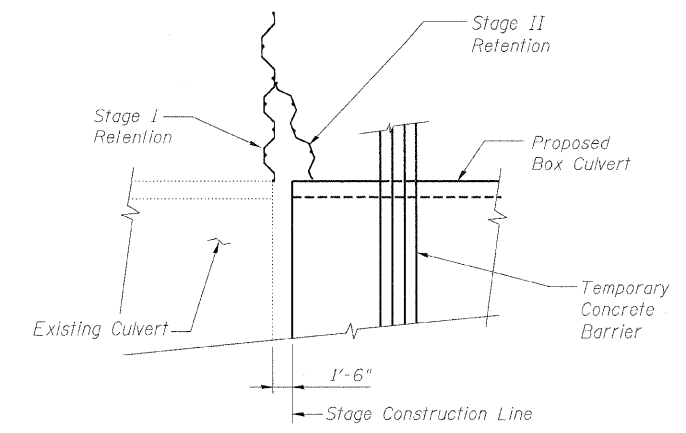
STAGE I CONSTRUCTION



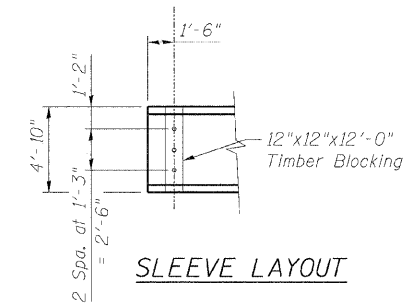
STAGE II REMOVAL



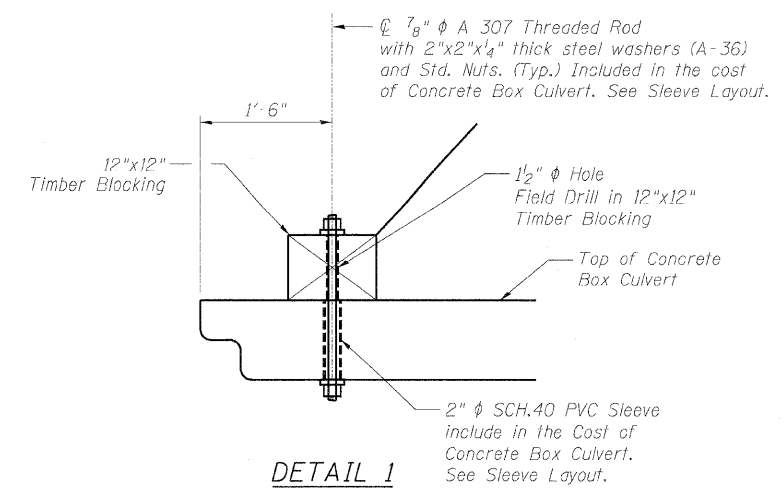
STAGE II CONSTRUCTION



PART PLAN



SLEEVE LAYOUT



DETAIL 1

LEGEND

- Indicates Removal of Existing Structure.
- Indicates Removal and Replacement of Unsuitable Material.

NOTE:  
For details of Temporary Concrete Barrier, see Sheet SA-3.

STAGE CONSTRUCTION  
CULVERT #1

DESIGNED -	EF5
CHECKED -	RJT
DRAWN -	EF5
CHECKED -	RJT

**benesch**  
alfred benesch & company  
Engineers • Surveyors • Planners  
205 North Michigan Avenue, Suite 2400  
Chicago, Illinois 60601  
312-566-0450 Job No. 3733

SHEET NO. SA-2	F.A.P. RTE.	SECTION	COUNTY	TOTAL SHEETS	SHEET NO.
	365	(57 & 58)WRS-2	DUPAGE	681	387
SA-7 SHEETS	CONTRACT NO. 62419				
ILLINOIS FED. AID PROJECT					

X:\3700s\3733\Engineering\Documents\Phase\_1\Culvert\1\_Single\_4'x4'\Final\Culvert\_1\_62419-001-STAGE.dgn 12/3/2010 1:43:30 PM