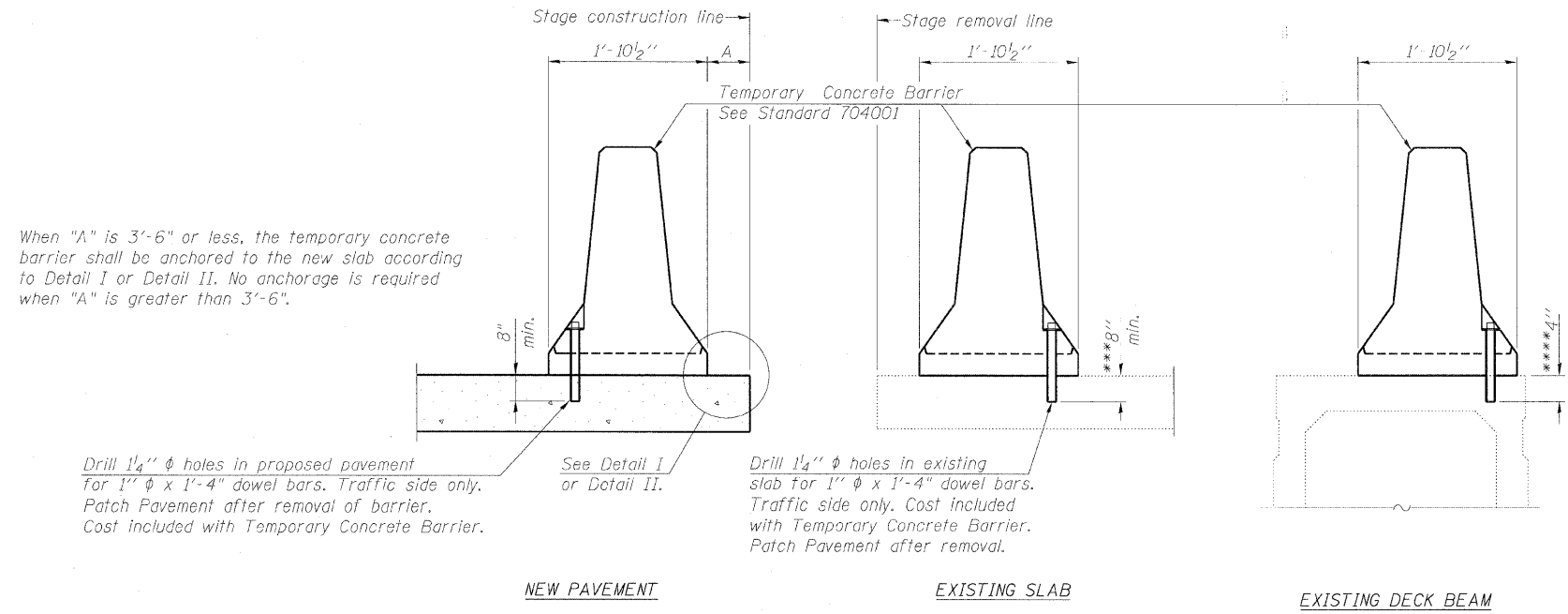


STATE OF ILLINOIS  
DEPARTMENT OF TRANSPORTATION



When "A" is 3'-6" or less, the temporary concrete barrier shall be anchored to the new slab according to Detail I or Detail II. No anchorage is required when "A" is greater than 3'-6".

Drill 1/4"  $\phi$  holes in proposed pavement for 1"  $\phi$  x 1'-4" dowel bars. Traffic side only. Patch Pavement after removal of barrier. Cost included with Temporary Concrete Barrier.

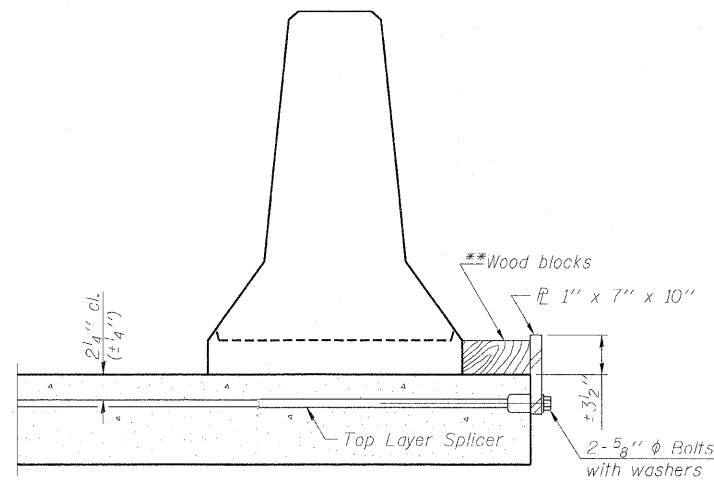
See Detail I or Detail II.

Drill 1/4"  $\phi$  holes in existing slab for 1"  $\phi$  x 1'-4" dowel bars. Traffic side only. Cost included with Temporary Concrete Barrier. Patch Pavement after removal.

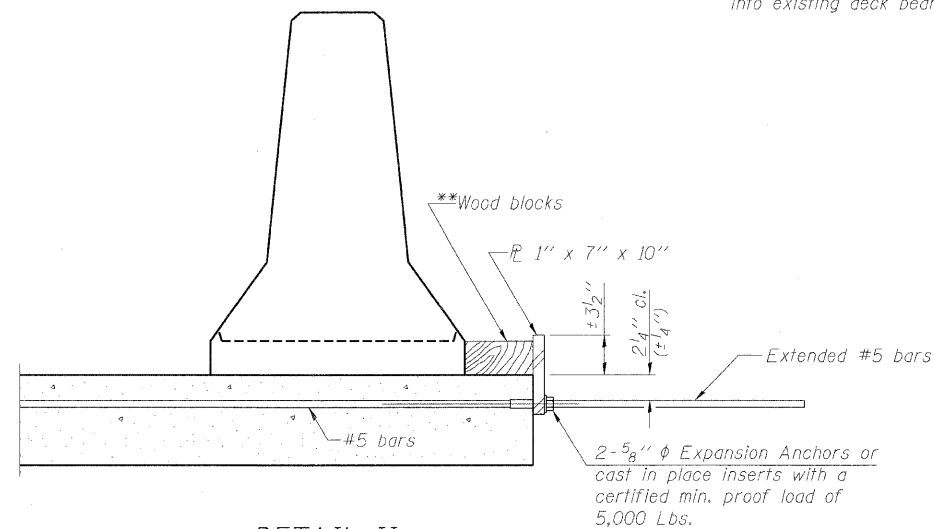
**NOTES:**  
Detail I - With Bar Splicer or Couplers: Connect one (1) 1"x7"x10" steel  $\bar{P}$  to the top layer of couplers with 2-5/8"  $\phi$  bolts screwed to coupler at approximate  $\bar{C}$  of each barrier panel.  
Detail II - With Extended Reinforcement Bars: Connect one (1) 1"x7"x10" steel  $\bar{P}$  to the concrete slab or concrete wearing surface with 2-5/8"  $\phi$  Expansion Anchors or cast in place inserts spaced between the top layer of reinforcement at approximate  $\bar{C}$  of each barrier panel.  
Cost of anchorage is included with Temporary Concrete Barrier. The 1" x 7" x 10" plate shall not be removed until stage II construction forms and all reinforcement bars are in place and the concrete is ready to be placed.

SECTION THRU SLAB OR PAVEMENT

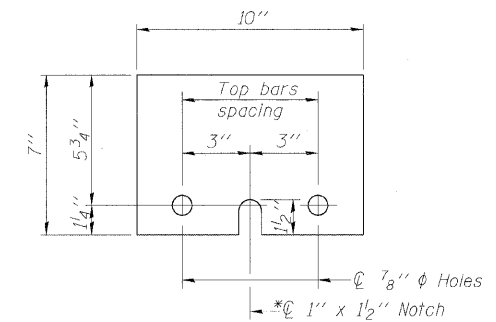
\*\*\*Dimension shown is minimum required embedment into concrete. If hot-mix asphalt wearing surface is present, minimum embedment shall be in addition to wearing surface depth.  
\*\*\*\*If existing deck beam is to remain in place after stage construction, embedment shall only be into wearing surface and not into existing deck beam concrete.



DETAIL I



DETAIL II



STEEL RETAINER  $\bar{P}$  1" x 7" x 10"

\* Required only with Detail II

\*\*Wood blocks may be omitted when required to provide minimum stage traffic lane width. When the wood blocks are omitted, the concrete barrier shall be in direct contact with the steel retainer plate.

DESIGNED	EFB
CHECKED	RJT
DRAWN	EFB
CHECKED	RJT

**benesch**  
alfred benesch & company  
Engineers • Surveyors • Planners  
205 North Michigan Avenue, Suite 2400  
Chicago, Illinois 60601  
312-665-0450 Job No. 3733

SHEET NO. SA-3 SA-7 SHEETS	F.A.P. RTE.	SECTION	COUNTY	TOTAL SHEETS	SHEET NO.
	365	(57 & 58)WRS-2	DUPAGE	681	388
			CONTRACT NO. 62419		
ILLINOIS FED. AID PROJECT					