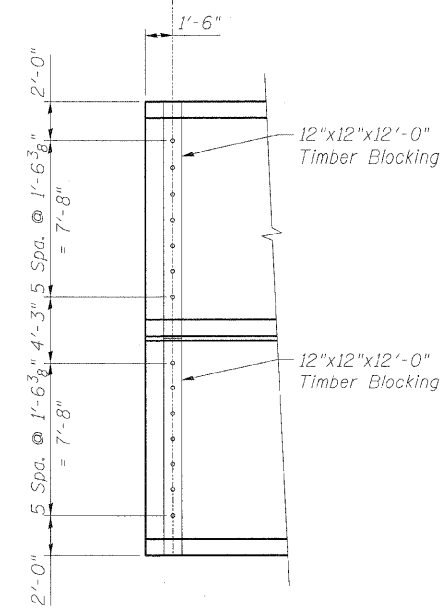
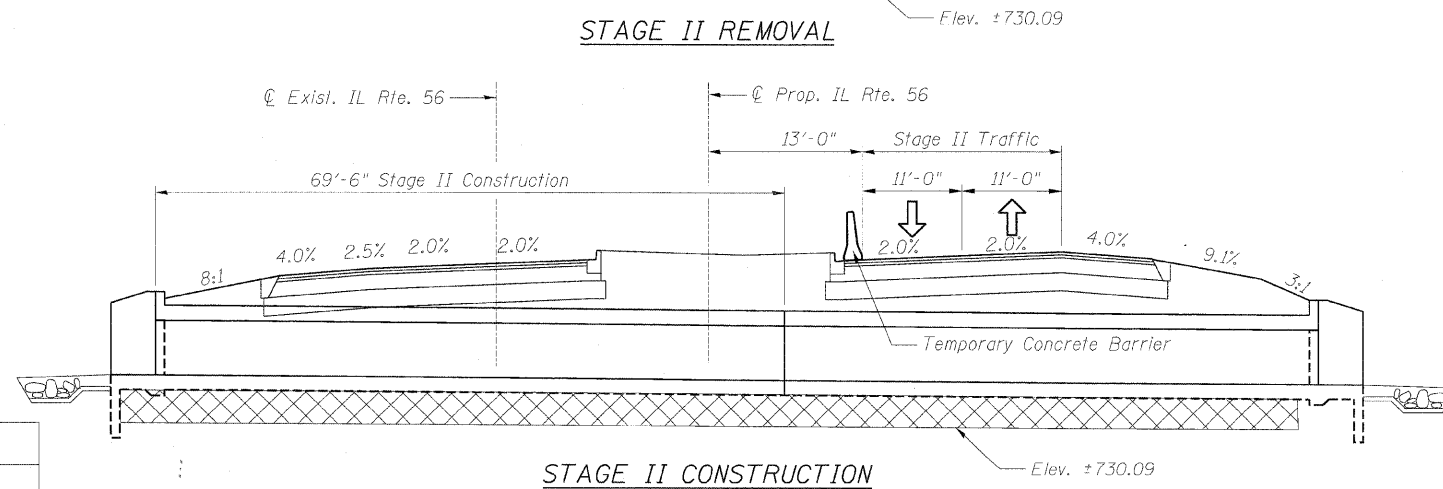
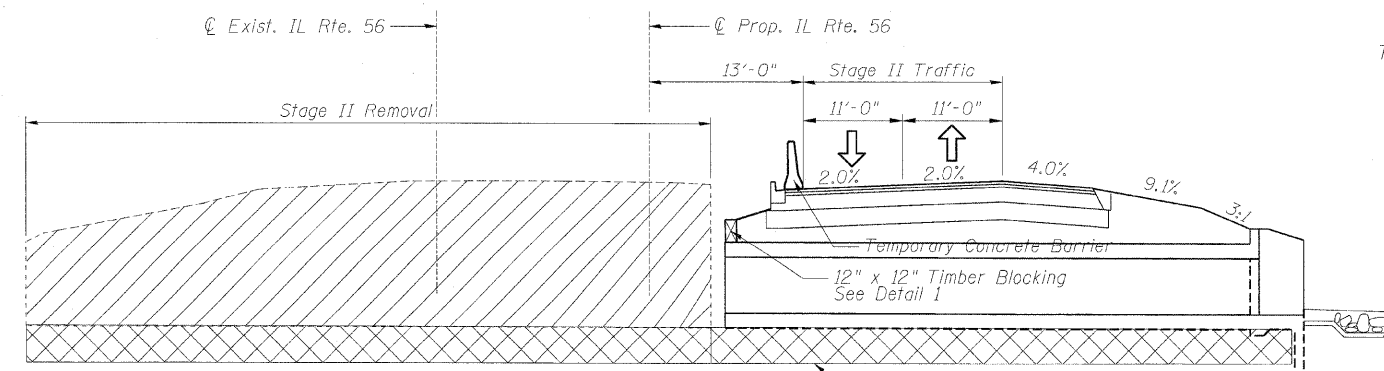
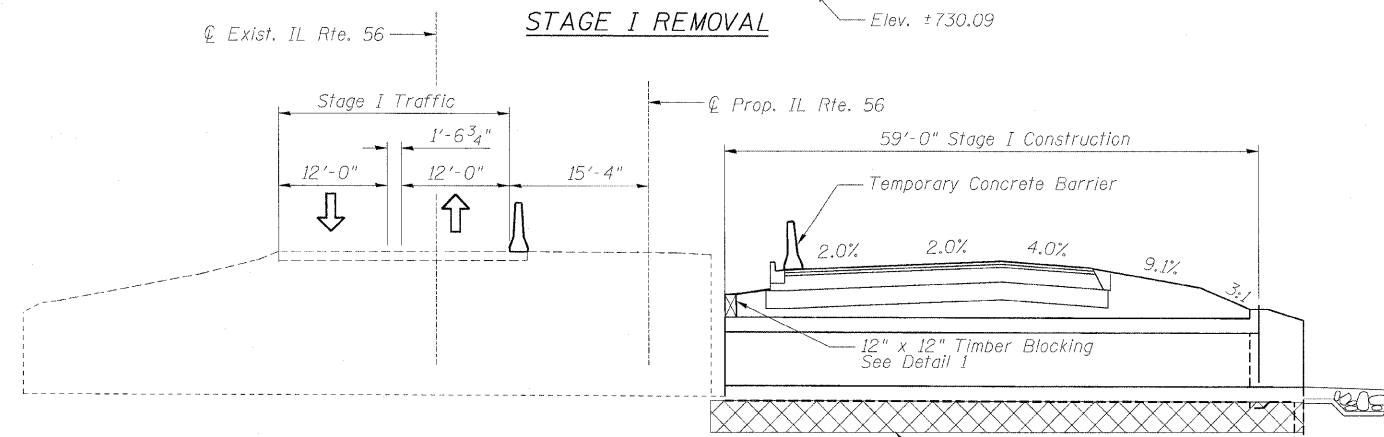
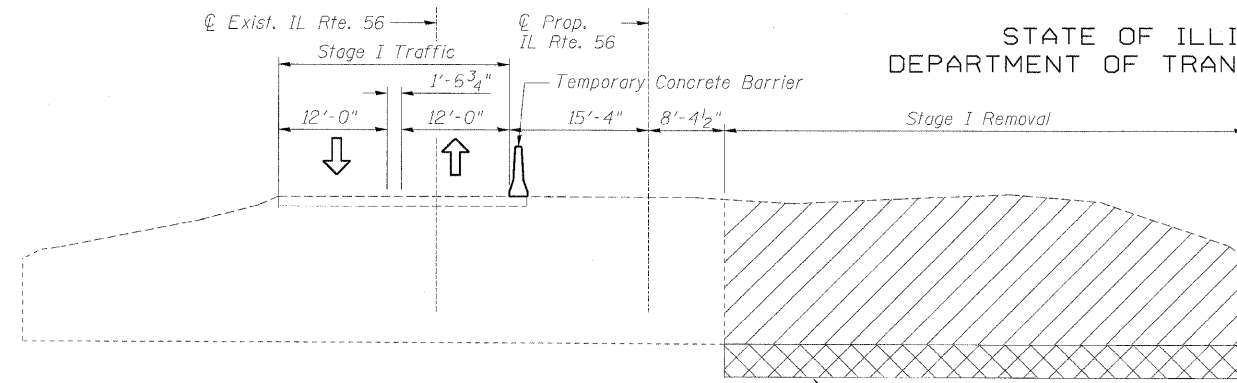
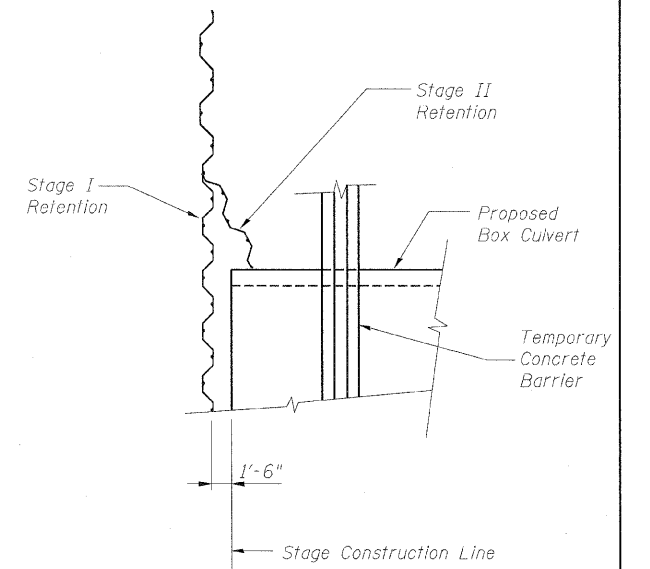


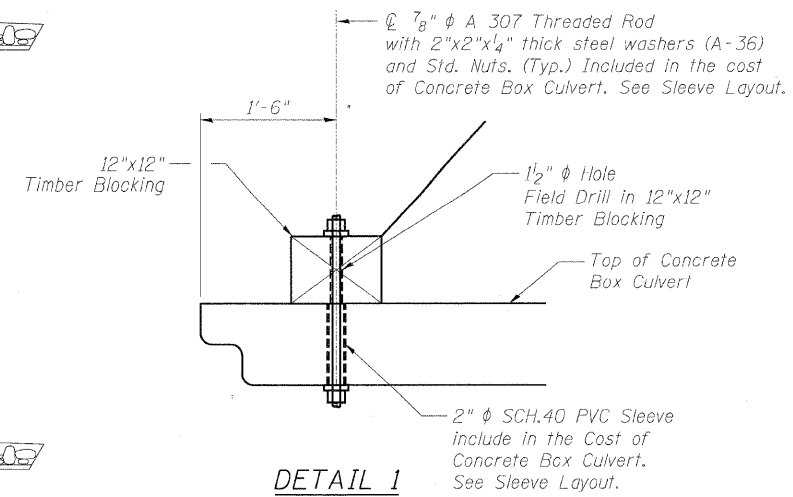
STATE OF ILLINOIS
DEPARTMENT OF TRANSPORTATION



SLEEVE LAYOUT



PART PLAN



DETAIL 1

LEGEND

- Indicates Removal of Existing Embankment.
- Indicates Removal and Replacement of Unsuitable Material.

NOTE:

For details of Temporary Concrete Barrier, see Sheet SB-3.

DESIGNED -	RJT
CHECKED -	EFS
DRAWN -	MB
CHECKED -	EFS

benesch

alfred benesch & company
Engineers • Surveyors • Planners
205 North Michigan Avenue, Suite 2400
Chicago, Illinois 60601
312-565-0450 Job No. 3733

SHEET NO. SB-2 SB-7 SHEETS	F.A.P. RTE.	SECTION	COUNTY	TOTAL SHEETS	SHEET NO.
	365	(57 & 58)WRS-2	DUPAGE	681	394
			CONTRACT NO. 62419		
ILLINOIS FED. AID PROJECT					

STAGE CONSTRUCTION
STRUCTURE NO. 022-2028

\$FILE\$ \$TIME\$ 12/3/2010