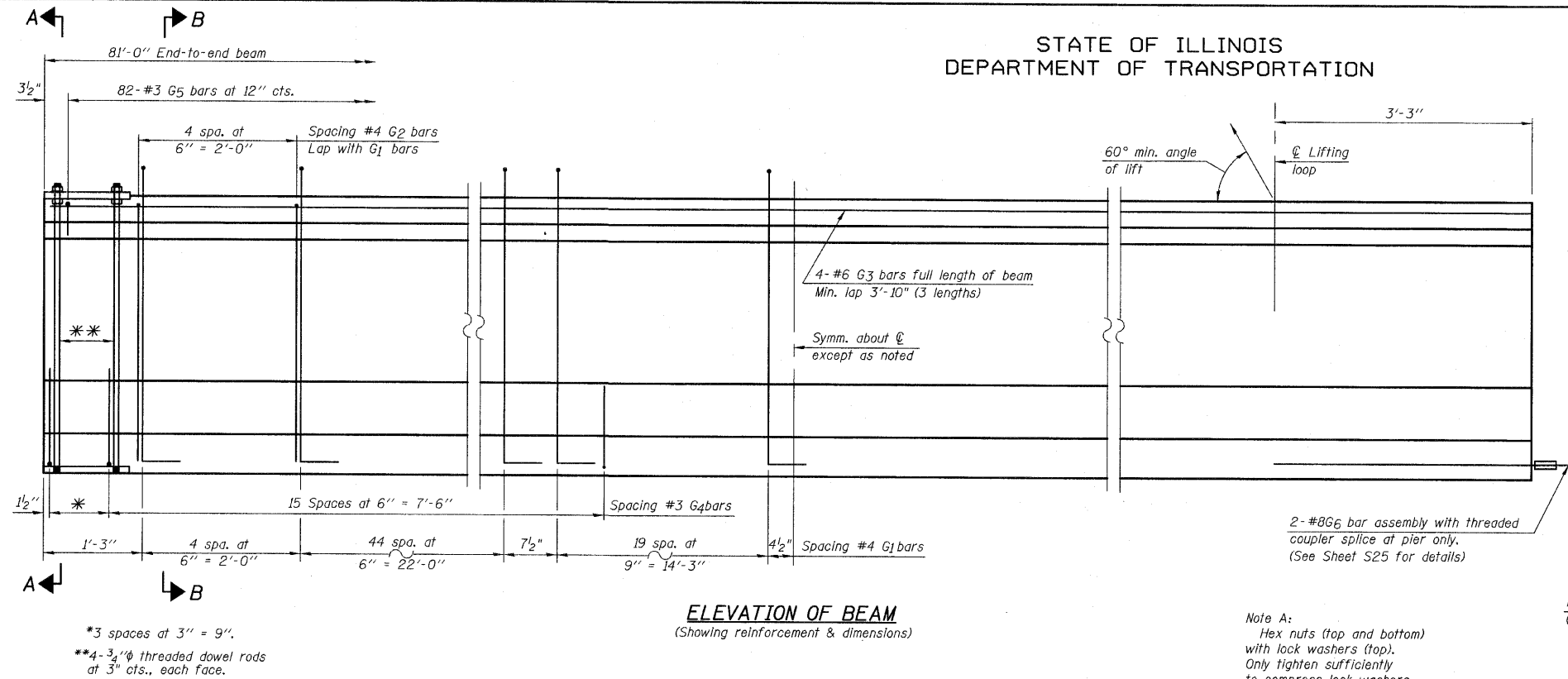
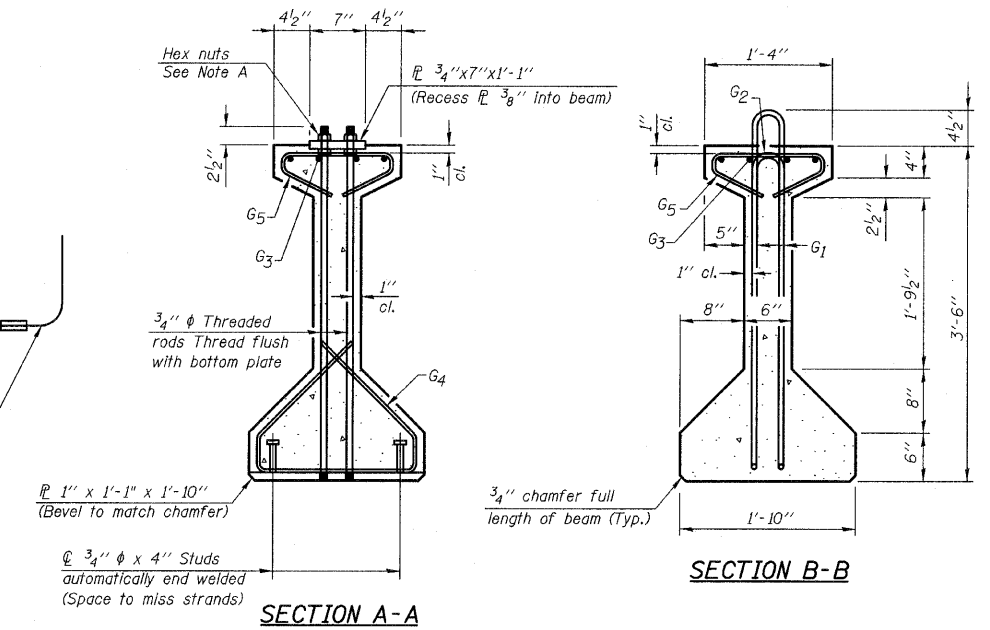


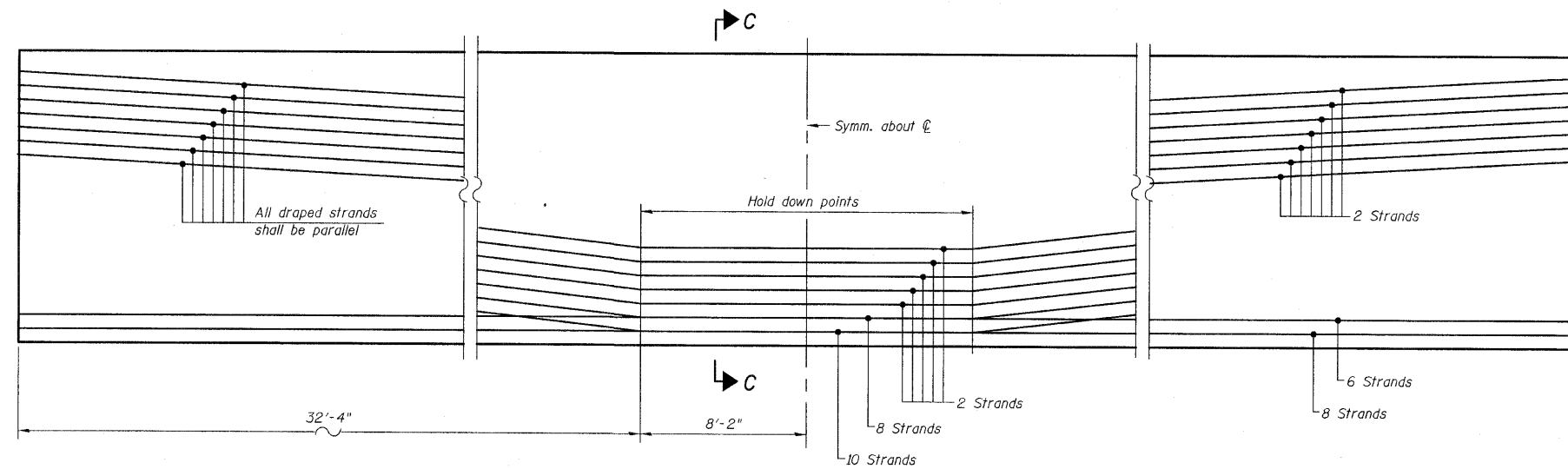
STATE OF ILLINOIS
DEPARTMENT OF TRANSPORTATION



ELEVATION OF BEAM
(Showing reinforcement & dimensions)



Note A:
Hex nuts (top and bottom) with lock washers (top). Only tighten sufficiently to compress lock washers.



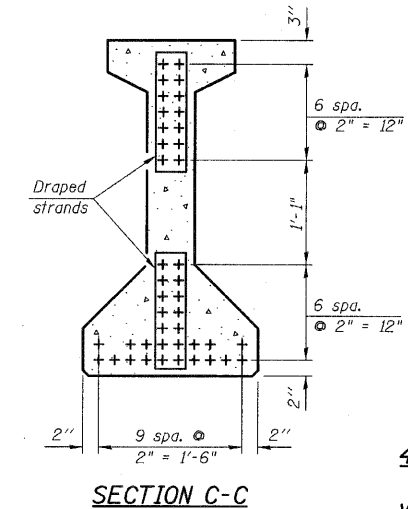
ELEVATION OF BEAM
(Showing prestressing steel)

*****BAR LIST**
ONE BEAM ONLY

Bar	No.	Size	Length	Shape
G1	138	#4	8'-5"	⊏
G2	10	#4	6'-8"	⊏
G3	12	#6	29'-7"	⊏
G4	38	#3	4'-11"	⊏
G5	82	#3	2'-6"	⊏
G6	2	#8	6'-6"	⊏

***For information only

Notes:
See Sheet S25 for additional details and Bill of Material.
Required release strength, f'cl, shall be 5,000 psi.



42" P.P.C. I-BEAM DETAILS-I
IL. ROUTE 56 OVER
WEST BRANCH DuPAGE RIVER
F.A.P. RTE. 365
SECTION (58&59) WRS-3
DuPAGE COUNTY
STA. 192+38.00
STRUCTURE NO. 022-2027

DESIGNED -
CHECKED -
DRAWN -
CHECKED -

PI-4-42 11-1-09

CR & A
CHRISTIAN-ROGE & ASSOCIATES, INC.
ENGINEERS-PLANNERS-SURVEYORS
211 WEST WACKER DRIVE
CHICAGO, ILLINOIS 60606
PHONE: (312)372-2023 FAX: (312)372-5274

SHEET NO. S24	F.A. RTE. 365	SECTION (58&59) WRS-3	COUNTY DuPAGE	TOTAL SHEETS 466	SHEET NO. 230
S43 SHEETS	CONTRACT NO. 62420			ILLINOIS FED. AID PROJECT	