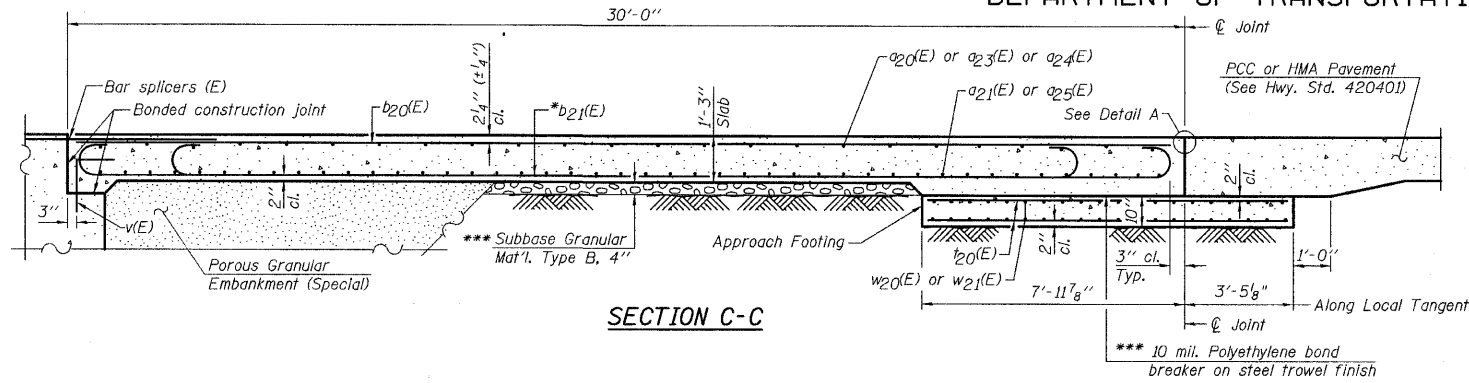
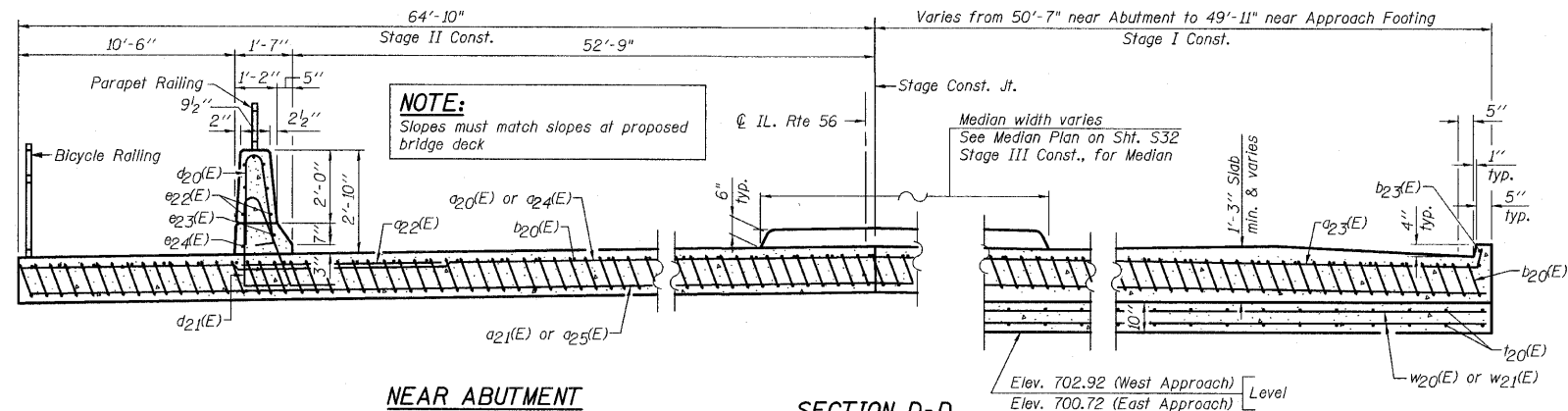


STATE OF ILLINOIS  
DEPARTMENT OF TRANSPORTATION

Notes:  
See Sht. S31 for Detail A and View B-B.  
See Sht. S32 for median plan.  
Approach slab and parapet concrete shall be paid for as Concrete Superstructure.  
Approach footing concrete shall be paid for as Concrete Structures.  
Reinforcement shall be paid for as Reinforcement Bars, Epoxy Coated.  
For v(E) bar details, see Sht. S17.  
The approach footing maximum applied service bearing pressure ( $Q_{max}$ ) = 2.0 ksf.  
For bar splicer details, see Sht. S34.  
Cost of excavation for approach footing included with Concrete Structures.  
For Porous Granular Embankment (Special) and drainage treatment details, see Sht. S2.  
For additional parapet details, see Sht. S31.



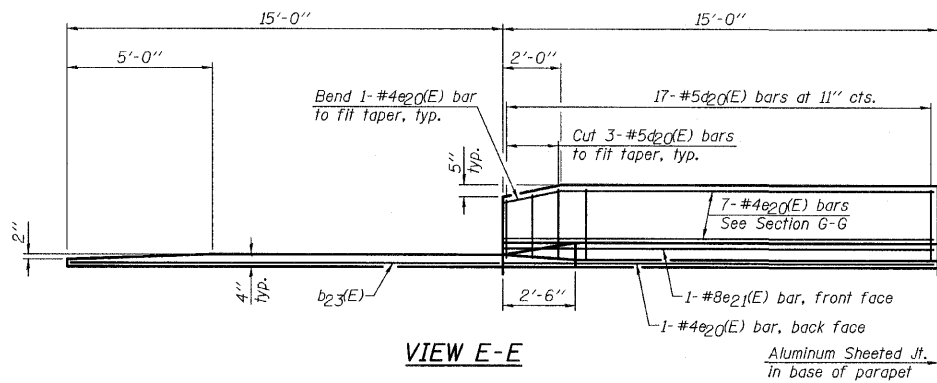
SECTION C-C



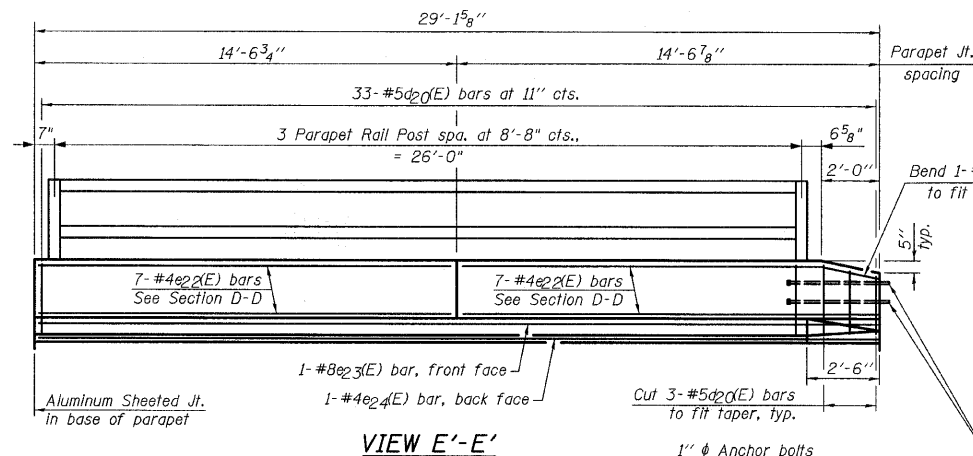
NEAR ABUTMENT

SECTION D-D  
(See Plan for dimensions not shown)

AT APPROACH FOOTING

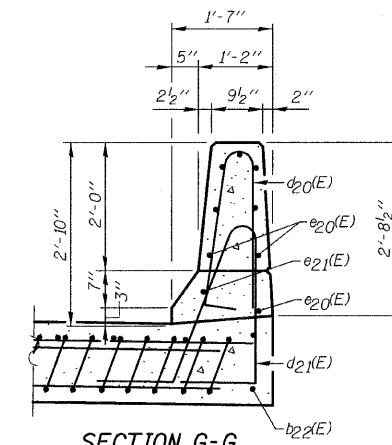
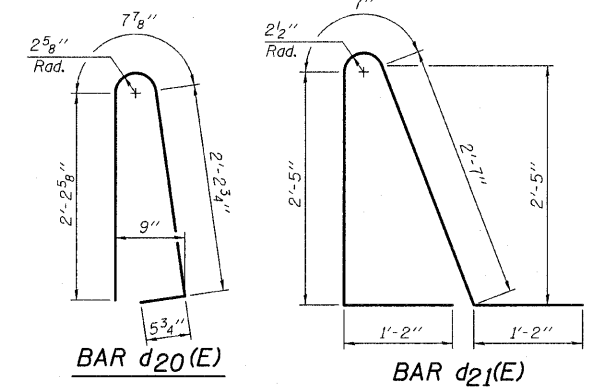
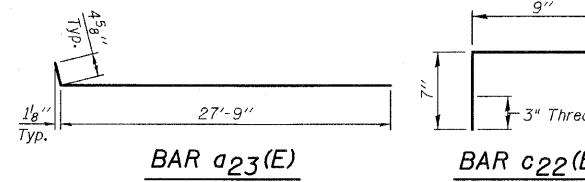


VIEW E-E

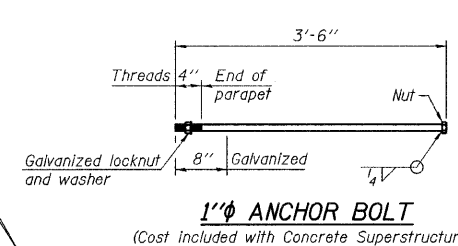


VIEW E'-E'

\* Tilt #9b21(E) bars as required to maintain clearance.  
\*\*\* Cost included with Concrete Superstructure.



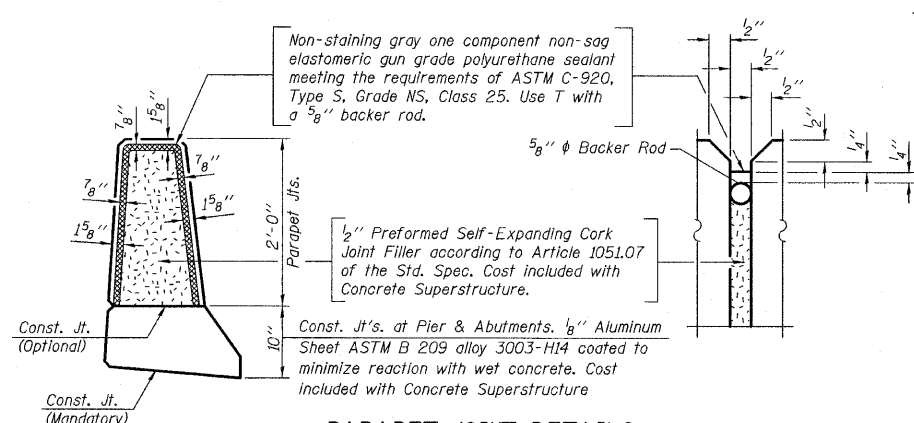
SECTION G-G



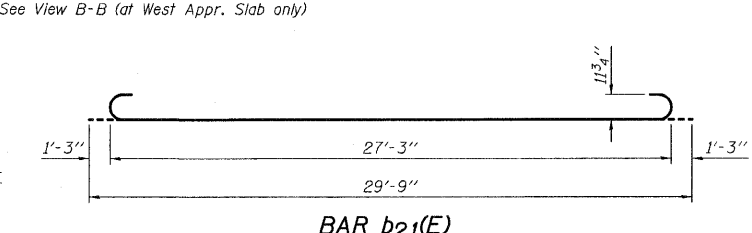
1" ANCHOR BOLT  
(Cost included with Concrete Superstructure)

TWO APPROACHES & MEDIANS  
BILL OF MATERIAL

Bar	No.	Size	Length	Shape
a20(E)	76	#4	29'-8"	
a21(E)	184	#5	30'-3"	
a22(E)	74	#6	6'-6"	
a23(E)	24	#4	28'-2"	
a24(E)	150	#4	25'-9"	
a25(E)	276	#5	23'-8"	
b20(E)	186	#4	29'-8"	
b21(E)	550	#9	29'-9"	
b22(E)	2	#4	14'-8"	
b23(E)	2	#4	14'-4"	
b24(E)	46	#5	29'-8"	
c21(E)	60	#5	20'-1"	
c22(E)	120	#5	1'-4"	
c23(E)	30	#5	29'-3"	
d20(E)	100	#5	5'-7"	
d21(E)	100	#5	7'-11"	
e20(E)	16	#4	14'-8"	
e21(E)	2	#8	14'-8"	
e22(E)	28	#4	14'-2"	
e23(E)	2	#8	28'-9"	
e24(E)	2	#4	28'-9"	
f20(E)	460	#4	11'-1"	
w20(E)	160	#5	29'-7"	
w21(E)	240	#5	26'-3"	
Concrete Structures	Cu. Yd.		80.9	
Concrete Superstructure	Cu. Yd.		426.2	
Reinforcement Bars, Epoxy Coated	Pound		98,010	
Bar Splicers	Each		222	



PARAPET JOINT DETAILS



BAR b21(E)

(Sheet 3 of 3)

DESIGNED -
CHECKED -
DRAWN -
CHECKED -

CHRISTIAN-ROGE & ASSOCIATES, INC.  
ENGINEERS-PLANNERS-SURVEYORS  
211 WEST WACKER DRIVE  
CHICAGO, ILLINOIS 60606  
PHONE: (312)372-2023 FAX: (312)372-5274

SHEET NO. S33	F.A. RTE. 365	SECTION (58&59) WRS-3	COUNTY DUPAGE	TOTAL SHEETS 466	SHEET NO. 239
S43 SHEETS	CONTRACT NO. 62420		ILLINOIS FED. AID PROJECT		

APPROACH SLAB DETAILS-III  
IL. ROUTE 56 OVER  
WEST BRANCH DuPAGE RIVER  
F.A.P. RTE. 365  
SECTION (58&59) WRS-3  
DuPAGE COUNTY  
STA. 192+38.00  
STRUCTURE NO. 022-2027