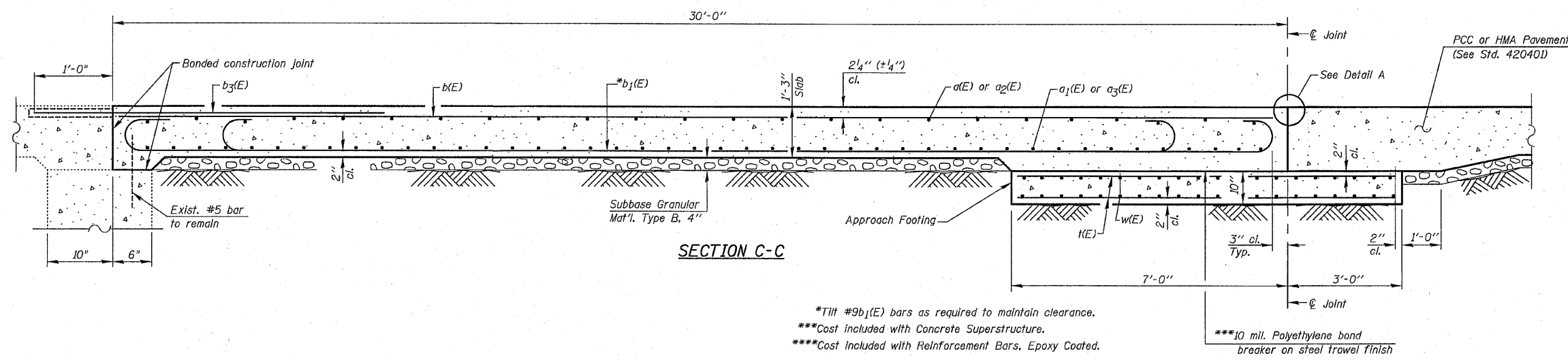


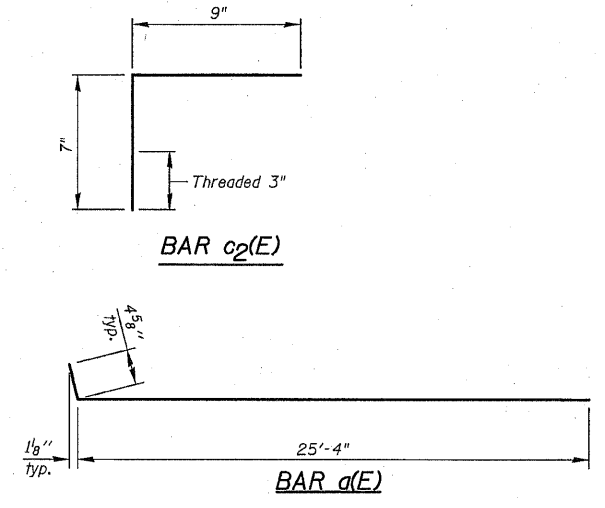
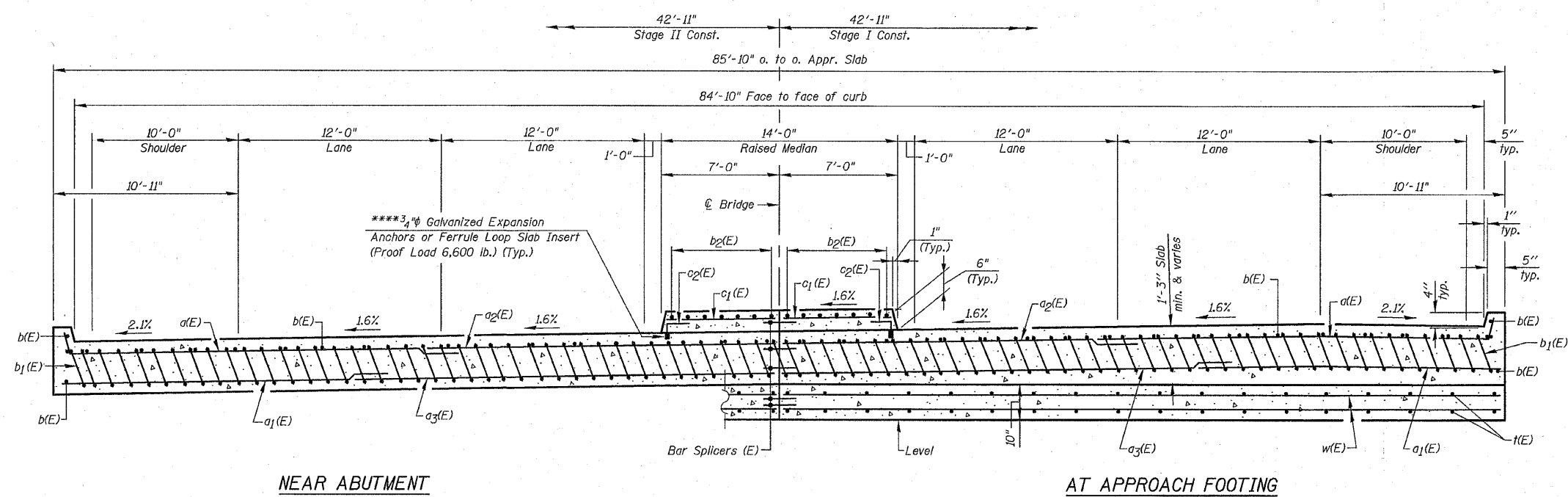
STATE OF ILLINOIS  
DEPARTMENT OF TRANSPORTATION

Notes:  
See Sheet S3 for Detail A.  
Approach slab and parapet concrete shall be paid for as Concrete Superstructure.  
Approach footing concrete shall be paid for as Concrete Structures.  
Reinforcement shall be paid for as Reinforcement Bars, Epoxy Coated.  
The approach footing maximum applied service bearing pressure (Qmax) = 2.0 ksf.  
For bar splicer details, see Sheet S6.  
Cost of excavation for approach footing included with Concrete Structures.

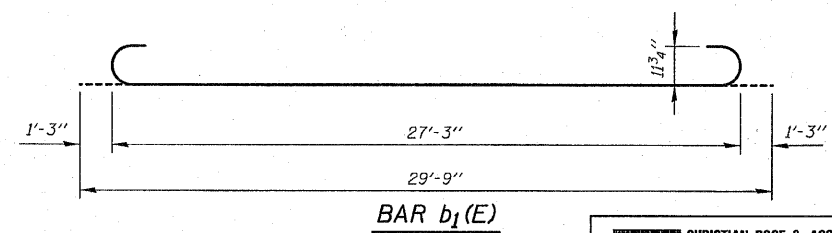


TWO APPROACHES  
BILL OF MATERIAL

Bar	No.	Size	Length	Shape	
a(E)	100	#4	25'-9"	—	
a1(E)	184	#5	20'-9"	—	
a2(E)	100	#4	18'-10"	—	
a3(E)	184	#5	24'-1"	—	
b(E)	144	#4	29'-8"	—	
b1(E)	412	#9	29'-9"	—	
b2(E)	28	#5	29'-8"	—	
b3(E)	174	#5	7'-0"	—	
c1(E)	120	#4	6'-8"	—	
c2(E)	120	#4	1'-4"	—	
t(E)	348	#4	9'-8"	—	
w(E)	320	#5	22'-5"	—	
Concrete Superstructure				Cu. Yd.	271.7
Concrete Structures				Cu. Yd.	53.0
Reinforcement Bars, Epoxy Coated				Pound	68,620
Bar Splicers				Each	282



SECTION D-D  
(See Plan For dimensions not shown)



BRIDGE APPROACH SLAB DETAILS  
STRUCTURE NO. 022-0151

BRIDGE APPROACH SLAB DETAILS-II  
IL. ROUTE 56 OVER  
ILLINOIS PRAIRIE PATH  
F.A.P. RTE. 365  
SECTION (58&59) WRS-3  
DuPAGE COUNTY  
STA. 248+03.00  
STRUCTURE NO. 022-0151

DESIGNED -	200
CHECKED -	EXAMINED
DRAWN -	PASSED
CHECKED -	ENGINEER OF BRIDGE DESIGN
	ENGINEER OF BRIDGES AND STRUCTURES

CHRISTIAN-ROGE & ASSOCIATES, INC.  
ENGINEERS-PLANNERS-SURVEYORS  
211 WEST WACKER DRIVE  
CHICAGO, ILLINOIS 60606  
PHONE: (312)372-2023 FAX: (312)372-5274

SHEET NO. S4	F.A. RTE.	SECTION	COUNTY	TOTAL SHEETS	SHEET NO.
S6 SHEETS	365	(58&59) WRS-3	DuPAGE	466	253
				CONTRACT NO. 62420	
ILLINOIS FED. AID PROJECT					