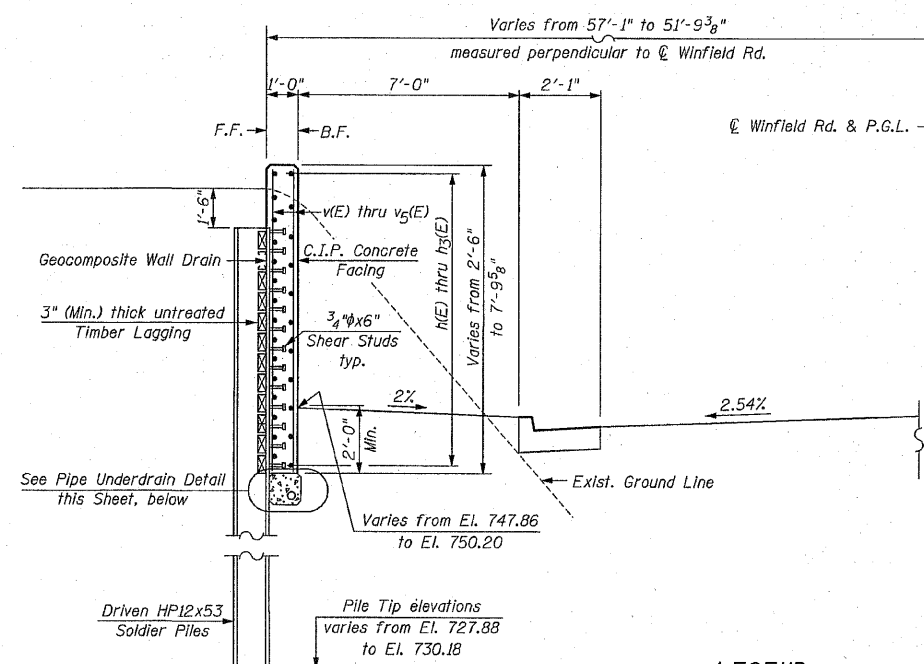


STATE OF ILLINOIS
DEPARTMENT OF TRANSPORTATION

SOLDIER PILE RETAINING WALL
SOLDIER PILE SCHEDULE

BILL OF MATERIAL

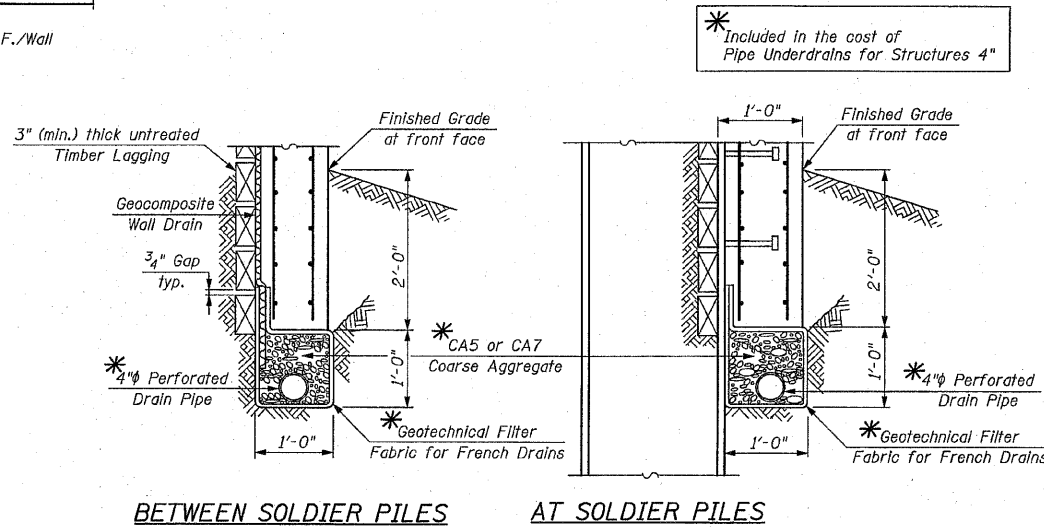
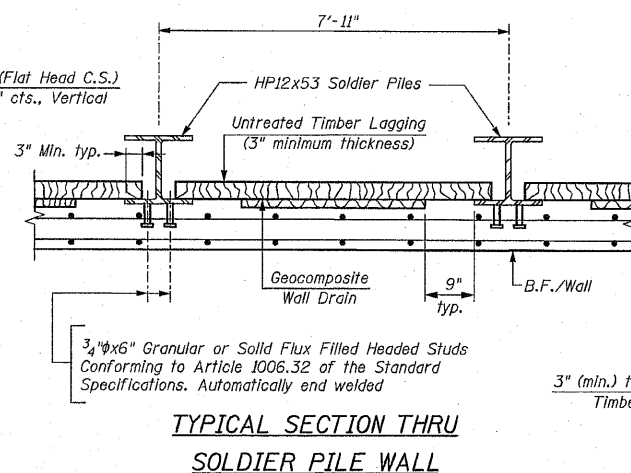
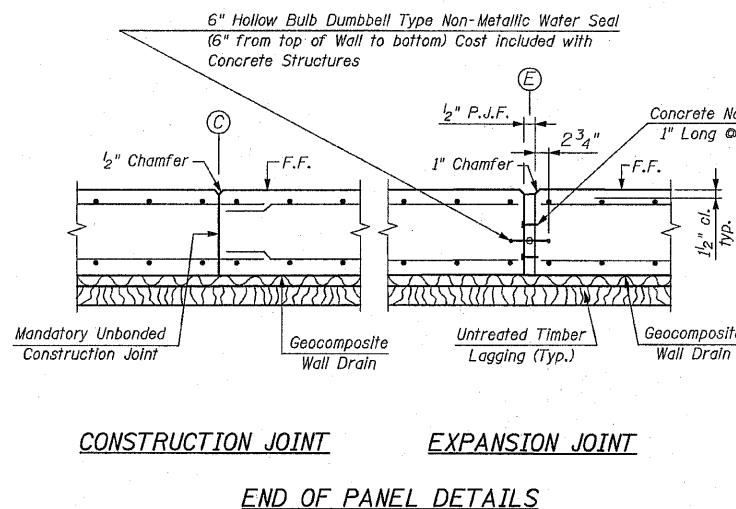


DRIVEN SOLDIER PILE
(from Sta. 722+40.00 to Sta. 725+00.00)
SECTION A-A

LEGEND:
F.F. = Front Face
B.F. = Back Face
C.I.P. = Cast-In-Place
C = Construction Joint
E = Expansion Joint

PILE NO.	PILE SIZE	TOP/PILE ELEV.	TIP/PILE ELEV.	APPROX. PILE LENGTH (FT.)	NO. STUD PER PILE	STUD SPACING
1	HP12x53	747.25	727.88	19.37	2 x 5 = 10	4 SPA. @ 4.75 IN = 1'- 7"
2	HP12x53	749.74	728.02	21.72	2 x 11 = 22	10 SPA. @ 4.75 IN = 3'- 11"
3	HP12x53	750.43	728.15	22.27	2 x 13 = 26	12 SPA. @ 4.63 IN = 4'- 7"
4	HP12x53	750.90	728.28	22.62	2 x 13 = 26	12 SPA. @ 4.75 IN = 4'- 9"
5	HP12x53	751.38	728.40	22.97	2 x 14 = 28	13 SPA. @ 4.75 IN = 5'- 1"
6	HP12x53	751.85	728.51	23.34	2 x 14 = 28	13 SPA. @ 5.25 IN = 5'- 8"
7	HP12x53	752.33	728.62	23.70	2 x 14 = 28	13 SPA. @ 5.25 IN = 5'- 8"
8	HP12x53	752.80	728.73	24.07	2 x 14 = 28	13 SPA. @ 5.75 IN = 6'- 2"
9	HP12x53	753.03	728.83	24.20	2 x 14 = 28	13 SPA. @ 5.75 IN = 6'- 2"
10	HP12x53	753.09	728.92	24.17	2 x 14 = 28	13 SPA. @ 5.75 IN = 6'- 2"
11	HP12x53	753.14	729.01	24.13	2 x 14 = 28	13 SPA. @ 5.75 IN = 6'- 2"
12	HP12x53	753.20	729.10	24.10	2 x 14 = 28	13 SPA. @ 5.75 IN = 6'- 2"
13	HP12x53	753.25	729.18	24.07	2 x 14 = 28	13 SPA. @ 5.75 IN = 6'- 2"
14	HP12x53	753.31	729.25	24.06	2 x 14 = 28	13 SPA. @ 5.75 IN = 6'- 2"
15	HP12x53	753.36	729.32	24.04	2 x 14 = 28	13 SPA. @ 5.75 IN = 6'- 2"
16	HP12x53	753.42	729.38	24.04	2 x 14 = 28	13 SPA. @ 5.75 IN = 6'- 2"
17	HP12x53	753.48	729.45	24.02	2 x 14 = 28	13 SPA. @ 5.75 IN = 6'- 2"
18	HP12x53	753.53	729.52	24.01	2 x 14 = 28	13 SPA. @ 5.75 IN = 6'- 2"
19	HP12x53	753.59	729.56	24.03	2 x 14 = 28	13 SPA. @ 5.75 IN = 6'- 2"
20	HP12x53	753.64	729.62	24.02	2 x 14 = 28	13 SPA. @ 5.75 IN = 6'- 2"
21	HP12x53	753.70	729.65	24.05	2 x 14 = 28	13 SPA. @ 5.75 IN = 6'- 2"
22	HP12x53	753.77	729.70	23.87	2 x 14 = 28	13 SPA. @ 5.50 IN = 5'- 11"
23	HP12x53	753.84	729.73	23.72	2 x 14 = 28	13 SPA. @ 5.25 IN = 5'- 8"
24	HP12x53	753.91	729.78	23.56	2 x 14 = 28	13 SPA. @ 5.25 IN = 5'- 8"
25	HP12x53	753.98	729.82	23.42	2 x 14 = 28	13 SPA. @ 5.25 IN = 5'- 8"
26	HP12x53	754.05	729.87	23.26	2 x 14 = 28	13 SPA. @ 5.00 IN = 5'- 5"
27	HP12x53	754.12	729.91	23.11	2 x 14 = 28	13 SPA. @ 4.75 IN = 5'- 1"
28	HP12x53	754.19	729.96	22.64	2 x 13 = 26	12 SPA. @ 4.75 IN = 4'- 9"
29	HP12x53	754.26	730.00	21.96	2 x 12 = 24	11 SPA. @ 4.63 IN = 4'- 2"
30	HP12x53	754.33	730.05	21.27	2 x 10 = 20	9 SPA. @ 4.75 IN = 3'- 6"
31	HP12x53	754.40	730.09	20.59	2 x 8 = 16	7 SPA. @ 4.75 IN = 2'- 9"
32	HP12x53	754.47	730.14	19.89	2 x 6 = 12	5 SPA. @ 4.75 IN = 1'- 11"
33	HP12x53	754.54	730.18	19.21	2 x 5 = 10	4 SPA. @ 4.63 IN = 1'- 6"
TOTAL				760	836	

Bar	No.	Size	Length	Shape	
h(E)	68	#6	32'-4"		
h1(E)	36	#6	29'-9"		
h2(E)	32	#6	27'-7"		
h3(E)	10	#6	25'-1"		
v(E)	60	#6	6'-1"		
v1(E)	120	#6	7'-5"		
v2(E)	180	#6	7'-3"		
v3(E)	52	#6	6'-9"		
v4(E)	52	#6	6'-3"		
v5(E)	52	#6	4'-2"		
Reinforcement Bars, Epoxy Coated				Pound	11,800



SECTIONS & RETAINING WALL DETAILS
IL. ROUTE 56
SOLDIER PILE RETAINING WALL
F.A.P. RTE. 365
SECTION (58&59) WRS-3
DuPAGE COUNTY
STA. 722+40.00 TO STA. 725+00.00
AT WINFIELD ROAD

DESIGNED -	200
CHECKED -	EXAMINED
DRAWN -	PASSED
CHECKED -	ENGINEER OF BRIDGE DESIGN
	ENGINEER OF BRIDGES AND STRUCTURES

CHRISTIAN-ROGE & ASSOCIATES, INC.
ENGINEERS-PLANNERS-SURVEYORS
211 WEST WACKER DRIVE
CHICAGO, ILLINOIS 60606
PHONE: (312)372-2023 FAX: (312)372-5274

SHEET NO. RW-4	F.A. RTE. 365	SECTION (58&59) WRS-3	COUNTY DuPAGE	TOTAL SHEETS 466	SHEET NO. 259
RW-5 SHEETS			CONTRACT NO. 62420		
ILLINOIS FED. AID PROJECT					