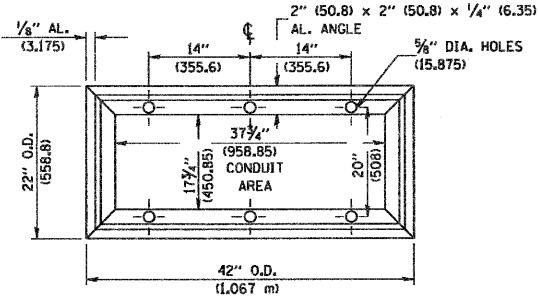
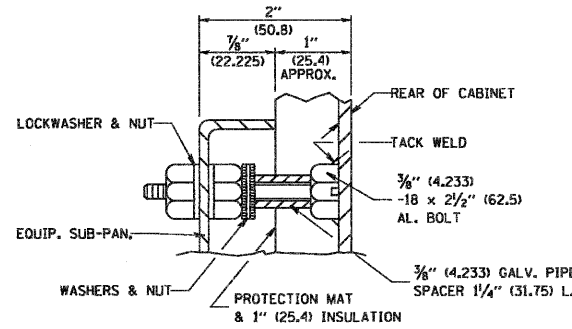


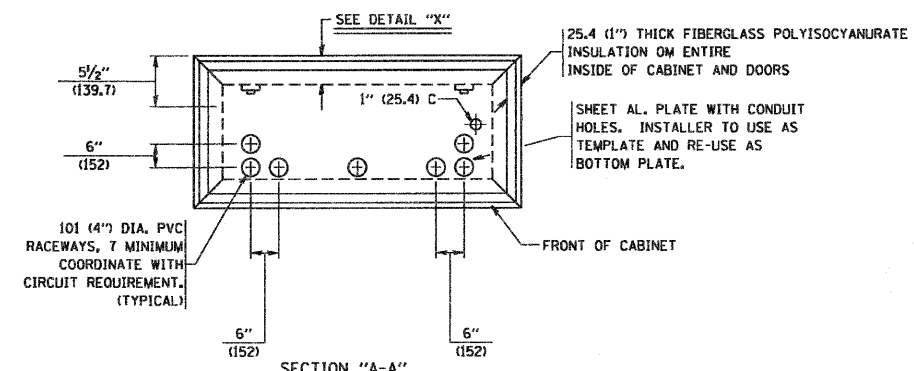
DETAIL "Y"



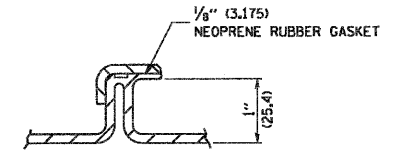
BASE MTG. DETAIL



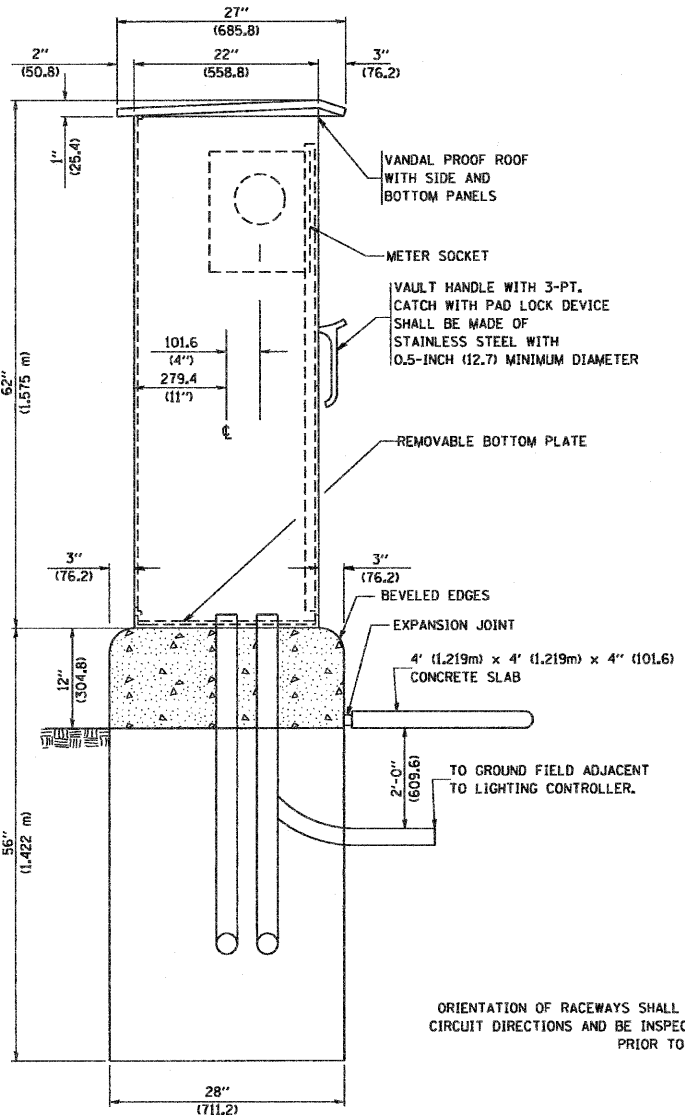
DETAIL "X"



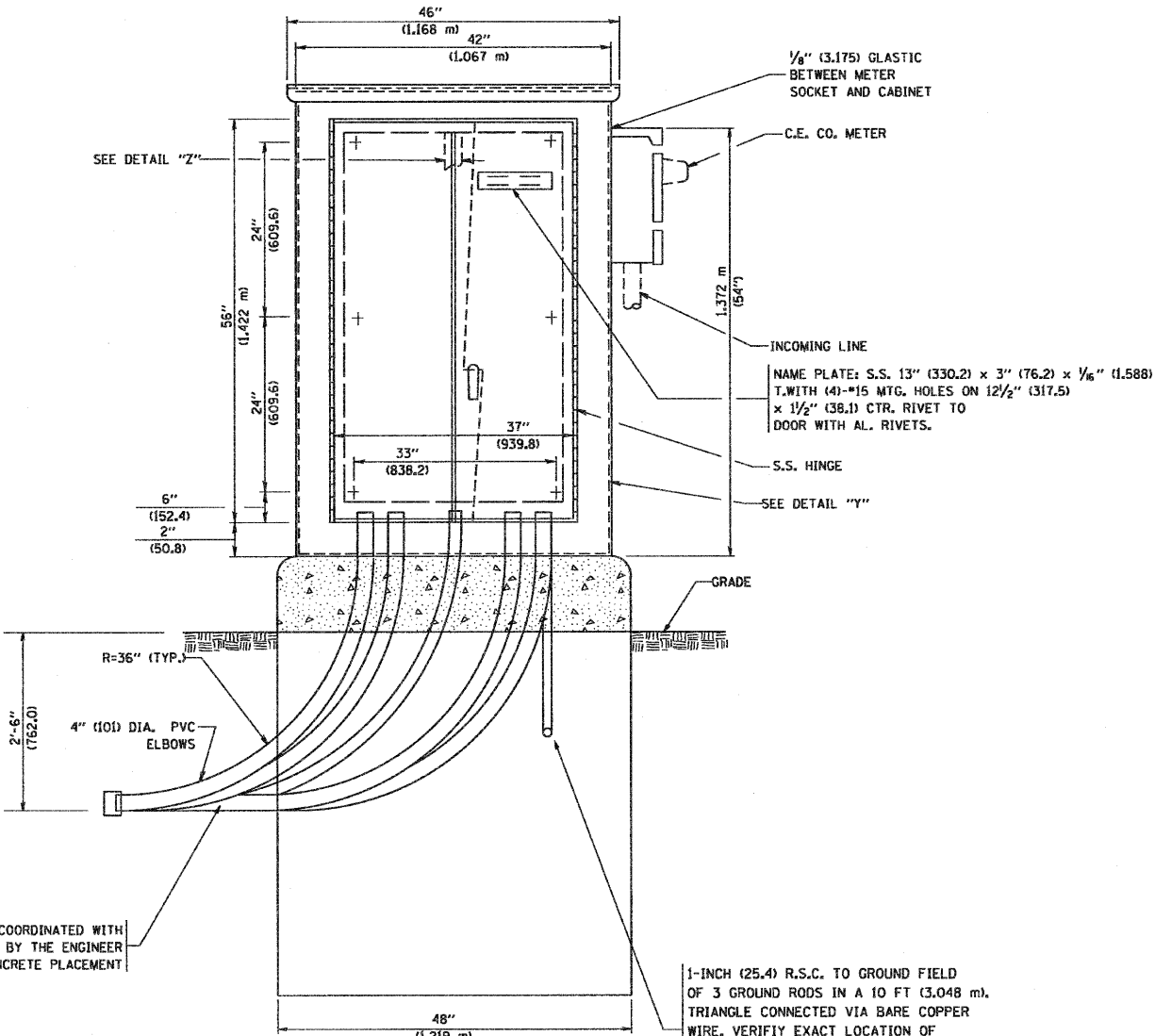
SECTION "A-A"



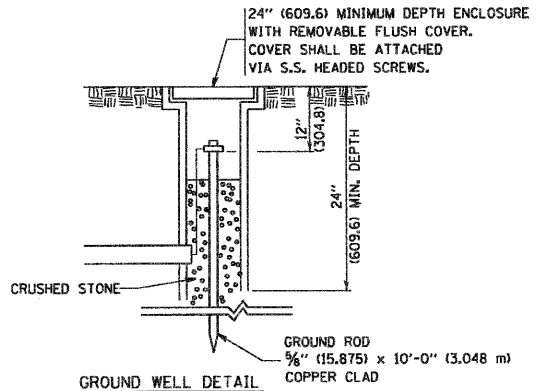
DETAIL "Z"



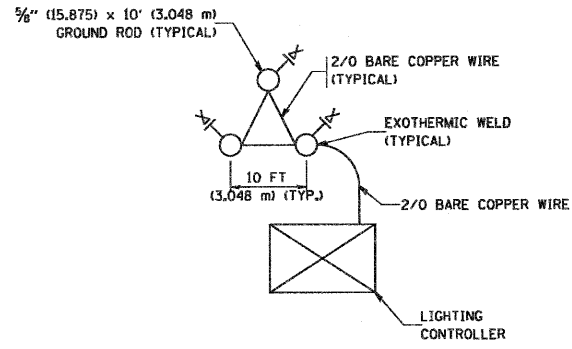
LEFT SIDE ELEVATION



FRONT ELEVATION



GROUND WELL DETAIL



GROUND FIELD DETAIL (N.T.S.)

THE CONTRACTOR SHALL VERIFY EXACT LOCATION WITH THE ENGINEER

ORIENTATION OF RACEWAYS SHALL BE COORDINATED WITH CIRCUIT DIRECTIONS AND BE INSPECTED BY THE ENGINEER PRIOR TO CONCRETE PLACEMENT

1-INCH (25.4) R.S.C. TO GROUND FIELD OF 3 GROUND RODS IN A 10 FT (3.048 m). TRIANGLE CONNECTED VIA BARE COPPER WIRE. VERIFY EXACT LOCATION OF GROUND FIELD WITH THE ENGINEER. NO GROUND WELL SHALL BE PLACED IN CONCRETE PAD IN FRONT OF CONTROLLER.

FILE NAME = W:\distatd\22x34\ba200.dgn	USER NAME = gajlanabt	DESIGNED -	REVISED -	<b>STATE OF ILLINOIS DEPARTMENT OF TRANSPORTATION</b>	<b>LIGHTING CONTROLLER, DUPLEX TYPE</b>		F.A. RTE. 365	SECTION (58&59) WRS-3	COUNTY DuPAGE	TOTAL SHEETS 4-66	SHEET NO. 2-75
PLOT SCALE = 50.0000 ' / IN.	CHECKED -	REVISED -	REVISED -		SCALE: NONE	SHEET NO. 3 OF 4 SHEETS	STA. TO STA.	<b>E-200 (BE-200)</b>		CONTRACT NO. 62420	
PLOT DATE = 1/4/2008	DATE = 12-18-02	REVISED -	REVISED -		FED. ROAD DIST. NO. 1 (ILLINOIS) FED. AID PROJECT						
					IT-10 <b>E-200</b>						