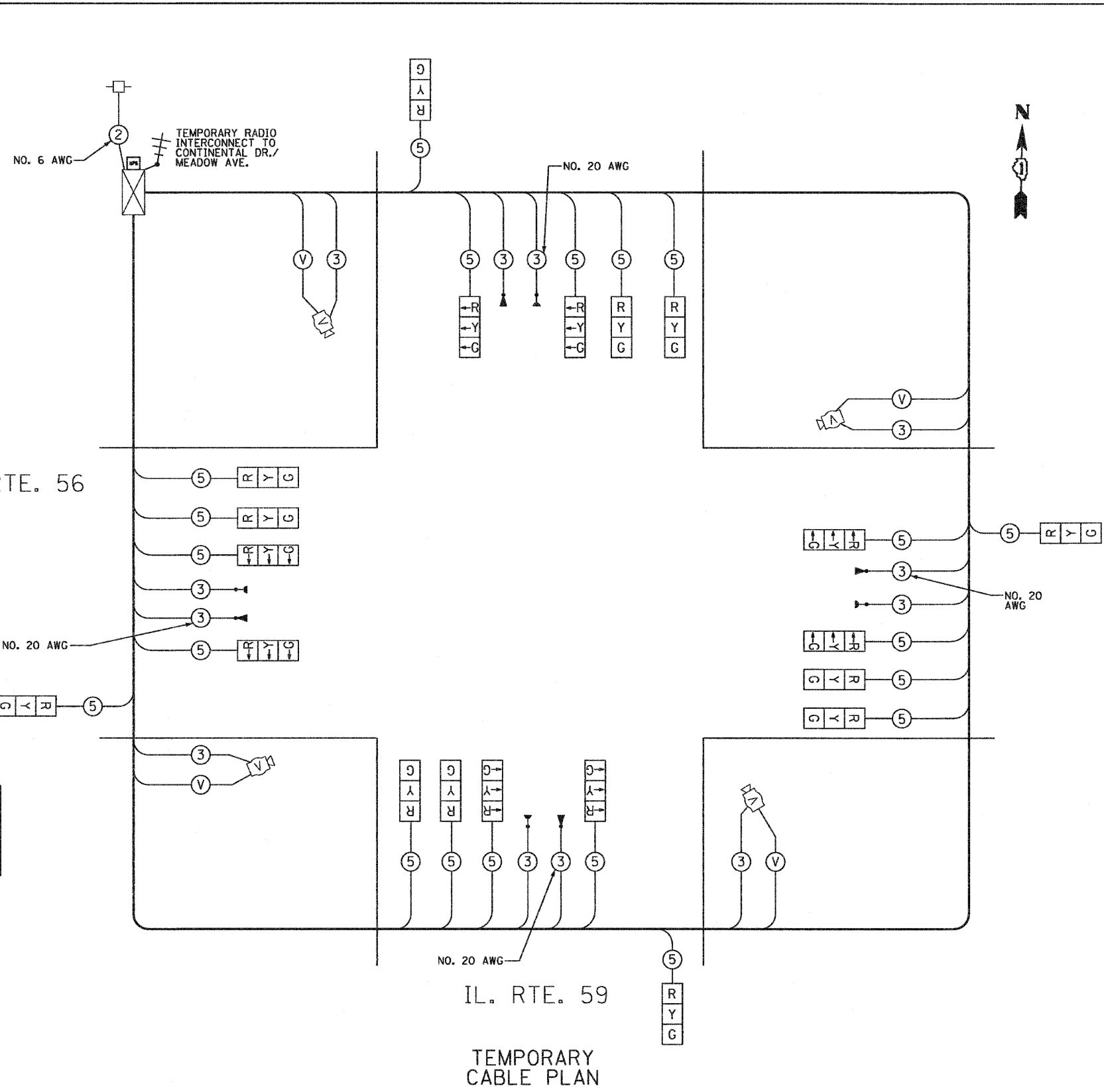


EMERGENCY VEHICLE PREEMPTOR	3	4	5	6
MOVEMENT	↶ ↑	↷ ↑	↓ ↷	↓ ↶

I.D.O.T. TRAFFIC SIGNAL INSTALLATION ELECTRICAL SERVICE REQUIREMENTS					TOTAL WATTAGE
TYPE	NO. OF LAMPS	INCAND.	LED	% OPERATION	
SIGNAL (RED)	20	135	17	0.50	170
(YELLOW)	20	135	25	0.25	125
(GREEN)	20	135	15	0.25	75
ARROW	-	135	12	0.10	-
PED. SIGNAL	-	90	25	1.00	-
CONTROLLER	1	100	100	-	100
ILLUM. SIGN	-	252	-	0.05	-
VIDEO SYSTEM	1	150	-	1.00	150
FLASHER	-	-	-	0.50	-
ENERGY COSTS TO:	TOTAL =				620.0

ILLINOIS DEPARTMENT OF TRANSPORTATION  
 DIVISION OF HIGHWAYS / DISTRICT 1  
 201 WEST CENTER COURT / SCHAMBURG, IL 60196-1096

ENERGY SUPPLY CONTACT: MS. MIKKI WILLIAMS  
 PHONE: (630) 691-4721  
 COMPANY: COMED



**NOTE:**  
 THE TEMPORARY TRAFFIC SIGNAL CONTROL EQUIPMENT FOR THIS INTERSECTION SHALL BE "EAGLE" BRAND TO MATCH THE EXISTING SYSTEM.

FILE NAME = TS-08.dgn  
 PLOT DATE = 8/9/2010

**SPAAN Tech, Inc.**  
 311 S. Wacker Drive, Suite 2400 Chicago, IL 60606  
 Phone: 312.277.8800 Fax: 312.277.8808 Web: www.spaanTech.com

DESIGNED - R.A.S.	REVISED -
DRAWN - R.A.S.	REVISED -
CHECKED - A.D.O.	REVISED -
DATE - AUGUST 2010	REVISED -

**STATE OF ILLINOIS DEPARTMENT OF TRANSPORTATION**

**TEMPORARY CABLE PLAN AND TEMPORARY PHASE DESIGNATION DIAGRAM (STAGES I & II)**  
 IL ROUTE 56 (BUTTERFIELD ROAD) AND IL ROUTE 59

SCALE: NONE SHEET NO. OF SHEETS STA. TO STA.

F.A.P. RTE. 365	SECTION (58&59) WRS-3	COUNTY DuPAGE	TOTAL SHEETS 466	SHEET NO. 293
CONTRACT NO. 62420				TS-10