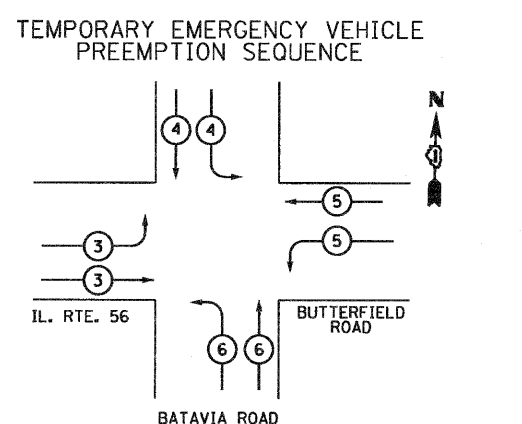
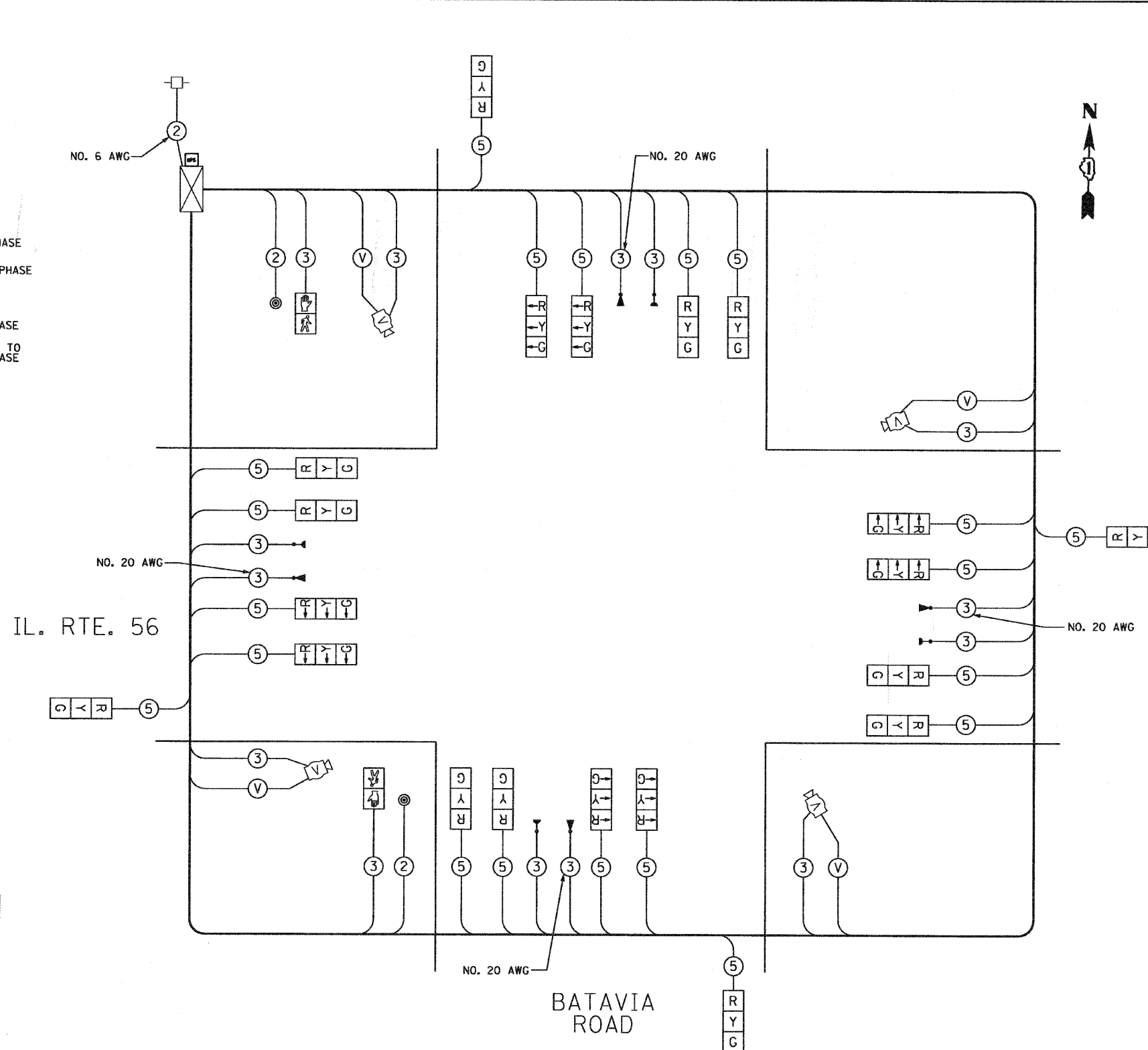


NOTES:

PHASES 1, 3, AND 8 SHALL BE DEACTIVATED DURING STAGE I OF BATAVIA ROAD CONSTRUCTION.

PHASES 4, 5, AND 7 SHALL BE DEACTIVATED DURING STAGE II OF BATAVIA ROAD CONSTRUCTION.

THE SIGNAL SECTIONS CORRESPONDING TO ANY DEACTIVATED PHASE SHALL BE BAGGED AND DEACTIVATED WHILE THE PHASE IS DEACTIVATED.



TEMPORARY EMERGENCY VEHICLE PREEMPTORS				
EMERGENCY VEHICLE PREEMPTOR	3	4	5	6
MOVEMENT	←	↓	←	↗

I.D.O.T. TRAFFIC SIGNAL INSTALLATION ELECTRICAL SERVICE REQUIREMENTS					TOTAL WATTAGE
TYPE	NO. OF LAMPS	WATTAGE	INCAND.	LED % OPERATION	
SIGNAL (RED)	20	135	17	0.50	170
(YELLOW)	20	135	25	0.25	125
(GREEN)	20	135	15	0.25	75
ARROW	-	135	12	0.10	-
PED. SIGNAL	2	90	25	1.00	50
CONTROLLER	1	100	100	1.00	100
ILLUM. SIGN	-	252	-	0.05	-
VIDEO SYSTEM	1	150	-	-	150
FLASHER	-	-	-	0.50	-
ENERGY COSTS TO:	TOTAL =				670.0

ILLINOIS DEPARTMENT OF TRANSPORTATION
DIVISION OF HIGHWAYS / DISTRICT 1
201 WEST CENTER COURT / SCHLAUBURG, IL 60196-1096

ENERGY SUPPLY CONTACT: MS. MIKKI WILLIAMS
PHONE: (630) 691-4721
COMPANY: COMED

FILE NAME = TS-17.dgn
PLOT DATE = 8/12/2010

SPAAN Tech, Inc.
311 S. Wacker Drive, Suite 2400
Chicago, IL 60606

DESIGNED - R.A.S.
DRAWN - R.A.S.
CHECKED - A.D.O.
DATE - AUGUST 2010

REVISED -
REVISED -
REVISED -
REVISED -

**STATE OF ILLINOIS
DEPARTMENT OF TRANSPORTATION**

TEMPORARY CABLE PLAN AND TEMPORARY PHASE DESIGNATION DIAGRAM (STAGES I & II)
IL ROUTE 56 (BUTTERFIELD ROAD) AND BATAVIA ROAD

SCALE: NONE
SHEET NO. OF SHEETS STA. TO STA.

F.A.P. RTE. 365
SECTION (58&59) WRS-3
COUNTY DuPAGE
TOTAL SHEETS 466
SHEET NO. 299
CONTRACT NO. 62420
FED. ROAD DIST. NO. 1 ILLINOIS FED. AID PROJECT

TS-16