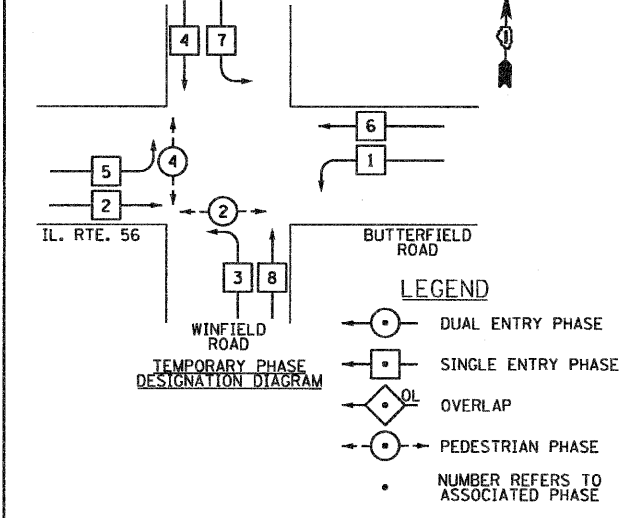
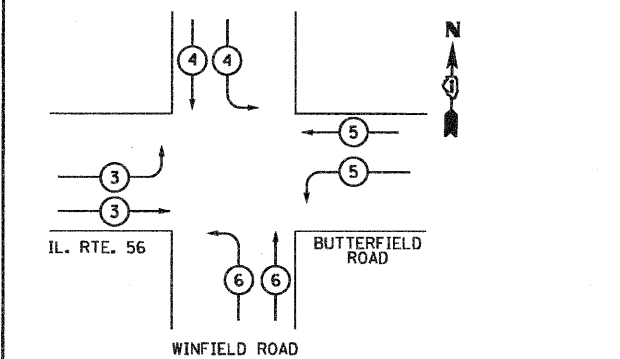


CONTROLLER SEQUENCE



TEMPORARY EMERGENCY VEHICLE PREEMPTION SEQUENCE



TEMPORARY EMERGENCY VEHICLE PREEMPTORS				
EMERGENCY VEHICLE PREEMPTOR	3	4	5	6
MOVEMENT				

I.D.O.T. TRAFFIC SIGNAL INSTALLATION ELECTRICAL SERVICE REQUIREMENTS					TOTAL WATTAGE
TYPE	NO. OF LAMPS	WATTAGE	INCAND.	LED % OPERATION	
SIGNAL (RED)	20	135	17	0.50	170
(YELLOW)	20	135	25	0.25	125
(GREEN)	20	135	15	0.25	75
ARROW	-	135	12	0.10	-
PED. SIGNAL	4	90	25	1.00	100
CONTROLLER	1	100	100	1.00	100
ILLUM. SIGN	-	252	-	0.05	-
VIDEO SYSTEM	1	150	-	1.00	150
FLASHER	-	-	-	0.50	-
ENERGY COSTS TO:	TOTAL =				720

ILLINOIS DEPARTMENT OF TRANSPORTATION
 DIVISION OF HIGHWAYS / DISTRICT 1
 201 WEST CENTER COURT / SCHAUMBURG, IL 60196-1096

ENERGY SUPPLY: CONTACT: MS. MIKKI WILLIAMS
 PHONE: (630) 691-4721
 COMPANY: COMED

IL. RTE. 56

WINFIELD ROAD

TEMPORARY CABLE PLAN

STATE OF ILLINOIS
 DEPARTMENT OF TRANSPORTATION

TEMPORARY CABLE PLAN AND TEMPORARY PHASE DESIGNATION DIAGRAM (STAGES I & II)
 IL ROUTE 56 (BUTTERFIELD ROAD) AND WINFIELD ROAD

FILE NAME = TS-2b.dgn	DESIGNED - R.A.S.	REVISED -	F.A.P. RTE. 365	SECTION (58&59) WRS-3	COUNTY DuPAGE	TOTAL SHEETS 466	SHEET NO. 304
PLOT DATE = 8/12/2010	DRAWN - R.A.S.	REVISED -	SCALE: NONE		SHEET NO. OF SHEETS STA. TO STA.		CONTRACT NO. 62420
SPAAN Tech, Inc. 311 S. Wacker Drive, Suite 2400 Chicago, IL 60606		CHECKED - A.D.O. DATE - AUGUST 2010	REVISIONS REVISED - REVISED - REVISED -	FED. ROAD DIST. NO. 1 (ILLINOIS) FED. AID PROJECT			

TS-21