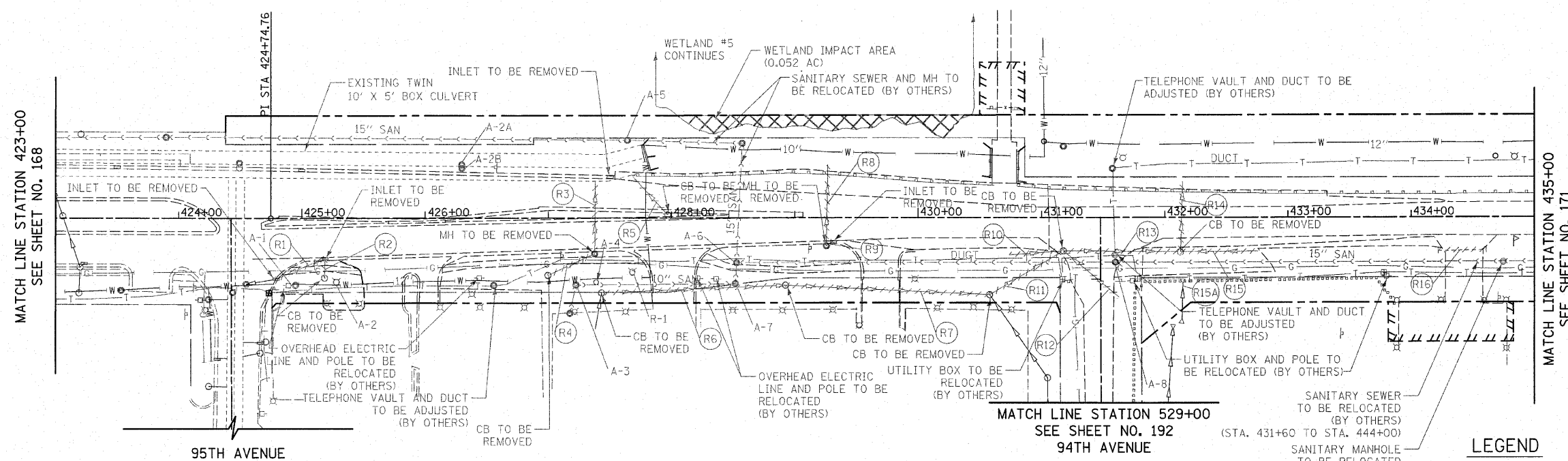


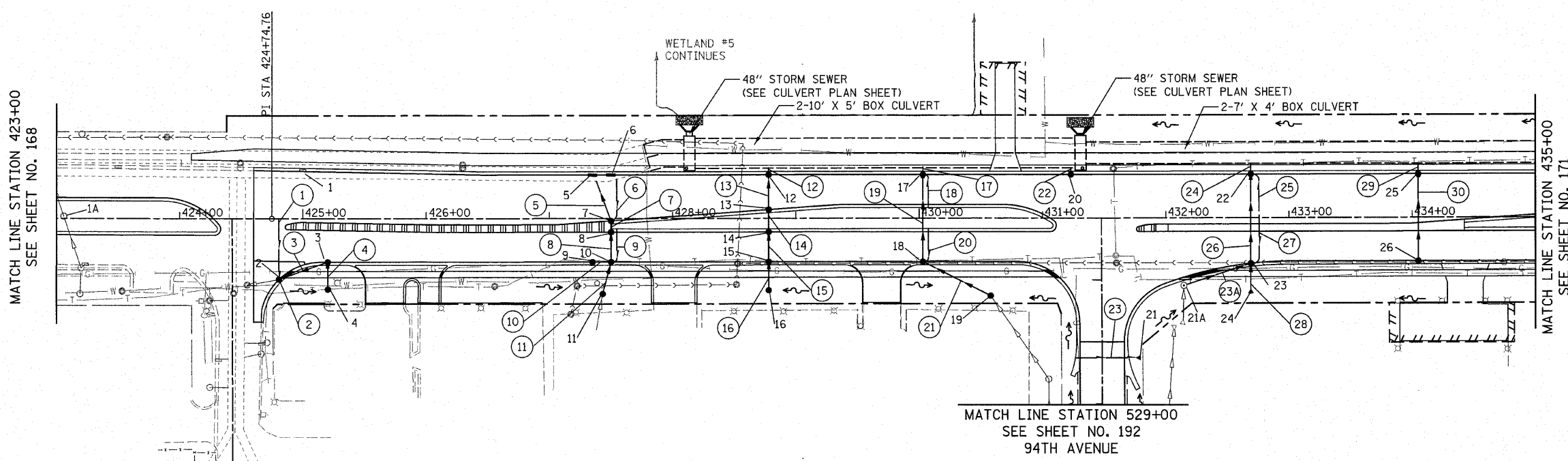
F.A.P. RTE.	SECTION	COUNTY	TOTAL SHEETS	SHEET NO.
353	(12&13)WRS-4	WILL	608	169
STA. 423+00		TO STA. 435+00		
FED. ROAD DIST. NO. 1 ILLINOIS FED. AID PROJECT				



LEGEND



EXISTING U.S. ROUTE 30



- NOTES:**
- SEE SHEET NO. 204 FOR CORRESPONDING PROFILE
 - SEE SHEET NO. 440-462 FOR BOX CULVERT PLANS

REVISIONS	
NAME	DATE

ILLINOIS DEPARTMENT OF TRANSPORTATION

**U.S. ROUTE 30
DRAINAGE AND UTILITY PLANS**

STATION 423+00 TO STATION 435+00

SCALE IN FEET

DATE 6/11/2010

DRAWN BY DJK
CHECKED BY JRV

PROPOSED U.S. ROUTE 30