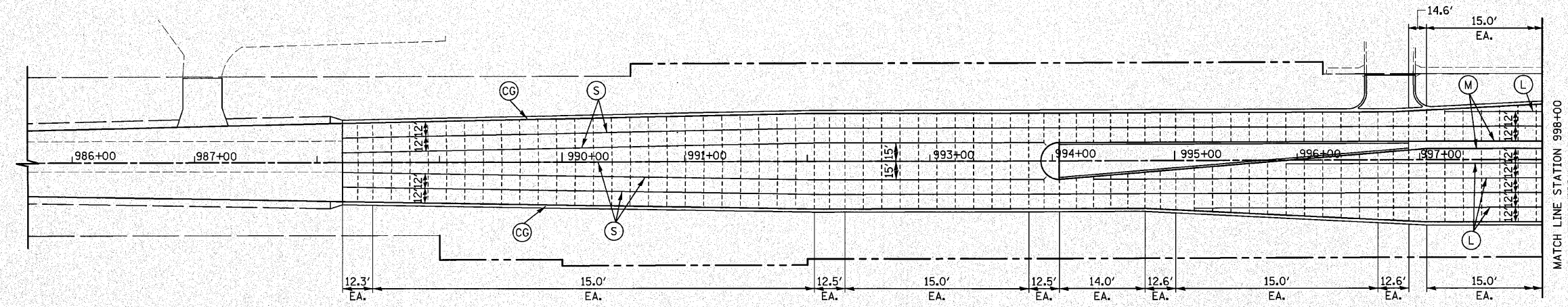
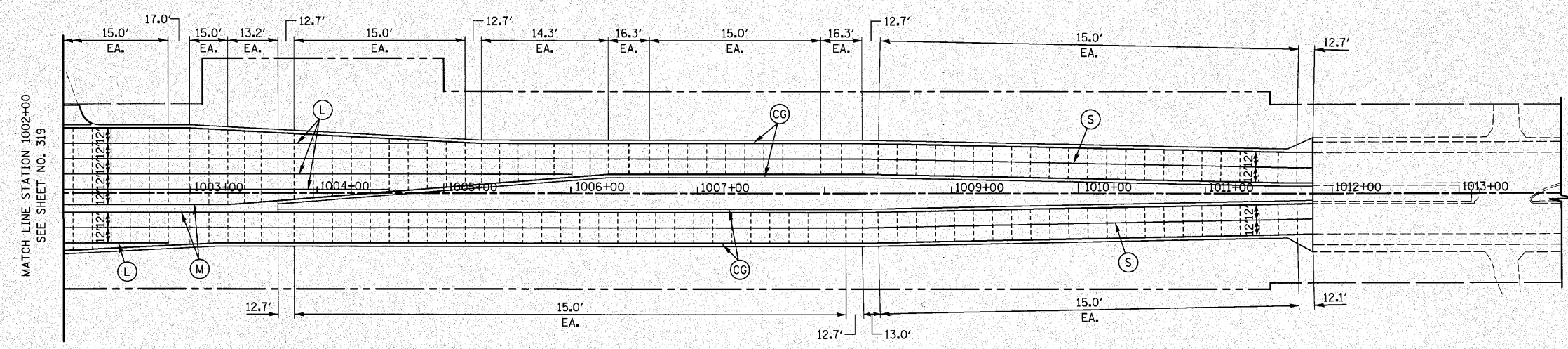


F.A.P. RTE.	SECTION	COUNTY	TOTAL SHEETS	SHEET NO.
353	(12&13)WRS-4	WILL	608	321
STA. 976+00		TO STA. 998+00		
FED. ROAD DIST. NO. 1		ILLINOIS FED. AID PROJECT		



MATCH LINE STATION 998+00
SEE SHEET NO. 319

HARLEM AVENUE



MATCH LINE STATION 1002+00
SEE SHEET NO. 319



HARLEM AVENUE

REVISIONS	
NAME	DATE

ILLINOIS DEPARTMENT OF TRANSPORTATION
**HARLEM AVENUE
 JOINTING PLAN**
 STA. 988+20.64 TO STA. 1011+84.62

 SCALE IN FEET
 DATE 6/11/2010
 DRAWN BY DJK
 CHECKED BY JRV