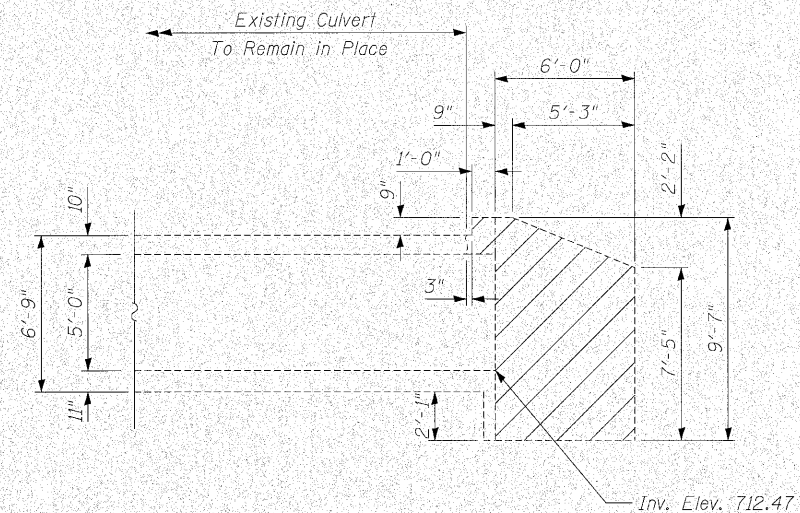
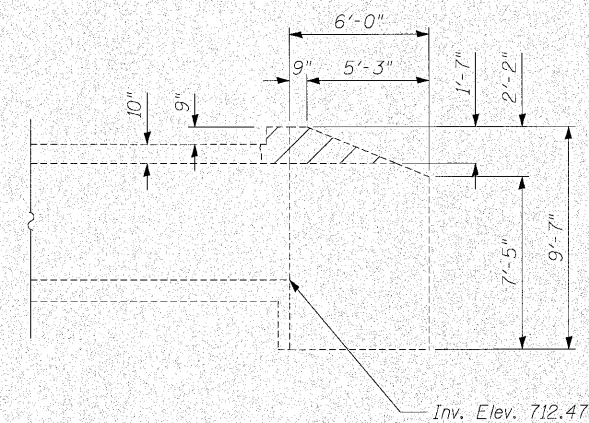


STATE OF ILLINOIS
DEPARTMENT OF TRANSPORTATION

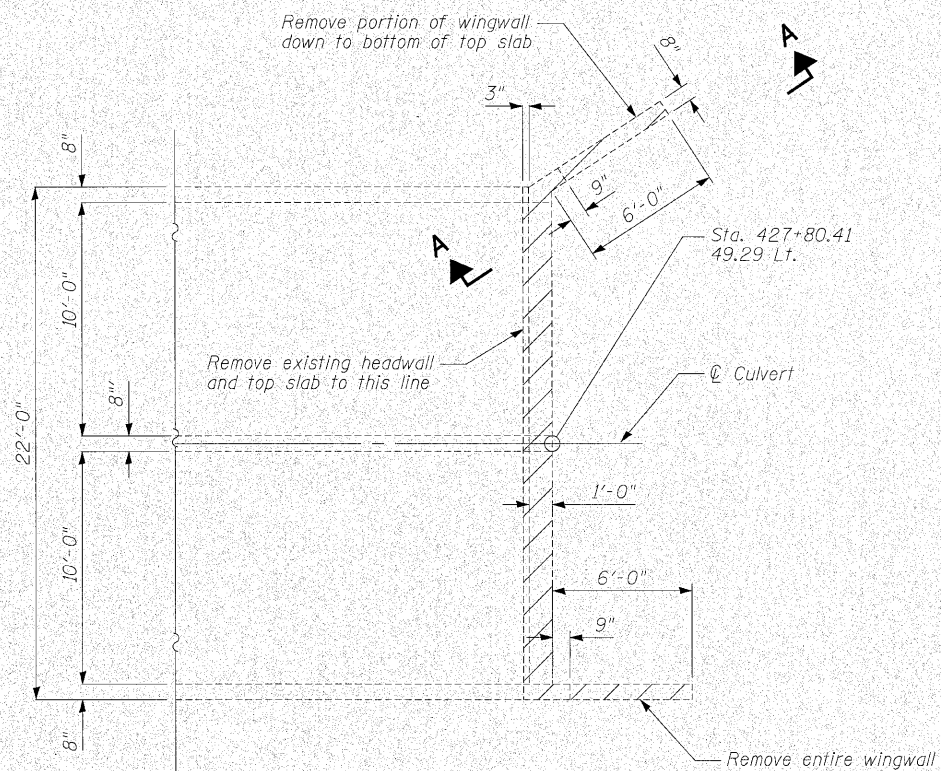
ROUTE NO.	SECTION	COUNTY	TOTAL SHEETS	SHEET NO.	SHEET NO.
353	(12&13)WRS-4	Will	608	445	23 SHEETS
FED. RDWD DIST. NO. 7		ILLINOIS	FED. AID PROJECT NO.		Contract No. 62478



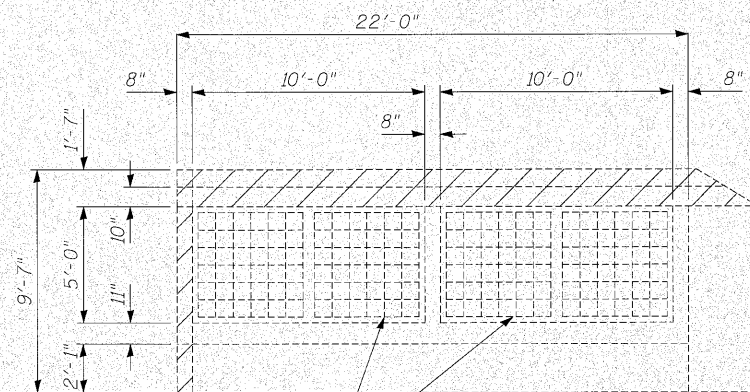
SOUTH WALL ELEVATION



SECTION A-A



TOP SLAB PLAN



Remove and Scrap Existing Vertical Protective Gate
Cost included with Concrete Removal

END ELEVATION
(Looking West)

LEGEND

Indicates Limits of Removal

BILL OF MATERIAL

Item	Unit	Quantity
Concrete Removal	Cu. Yd.	2.8

DESIGNED	MT
CHECKED	RB
DRAWN	ASJ
CHECKED	SPK



**INFRASTRUCTURE
ENGINEERING** INCORPORATED
33 West Monroe | Suite 1540 | Chicago, IL 60603
P 312.425.9560 | F 312.425.9564 | www.infrastructure-eng.com

EXISTING CULVERT CONCRETE REMOVAL
U.S. ROUTE 30 OVER
HICKORY CREEK TRIBUTARY 1
F.A.P. ROUTE 353 SEC. (12&13)WRS-4
WILL COUNTY
STATION 441+23.00
STRUCTURE NO. 099-4626