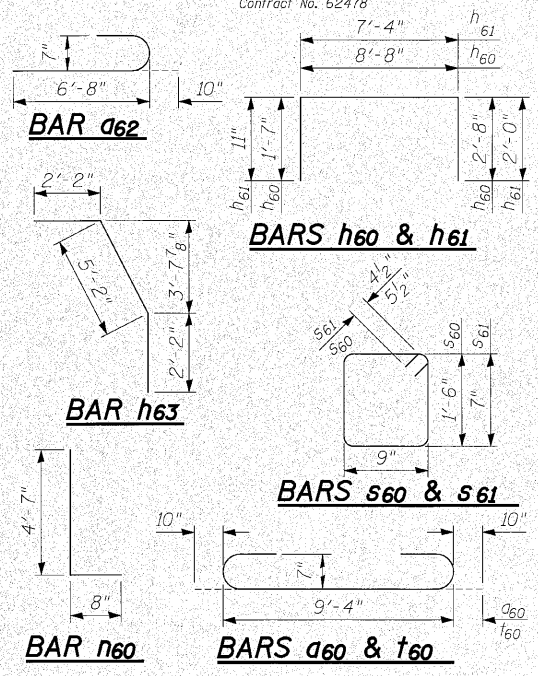
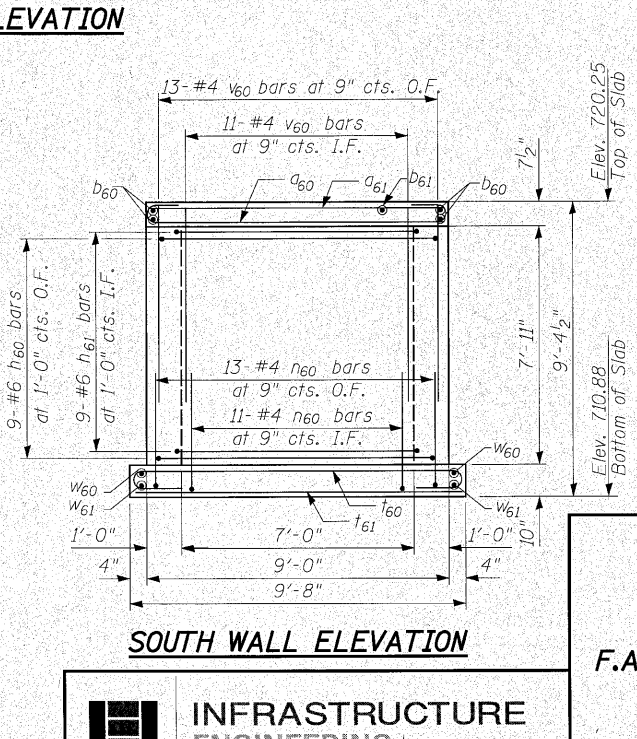
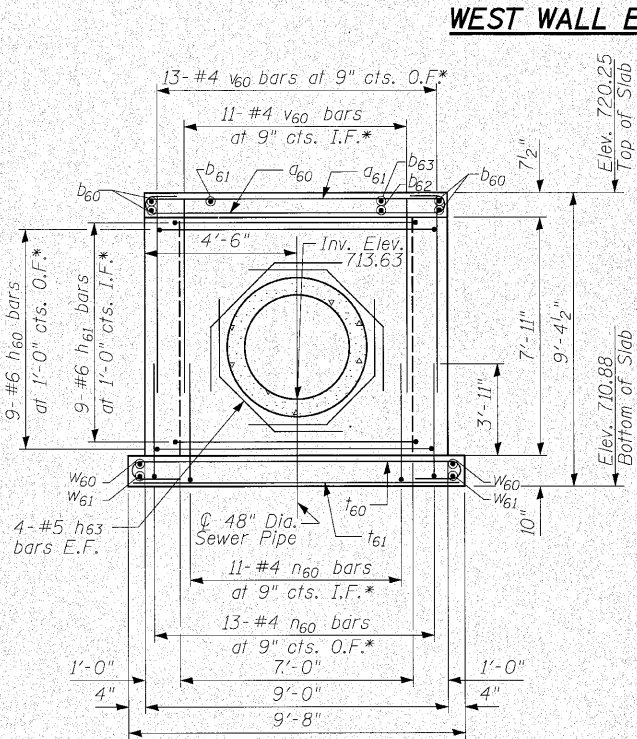
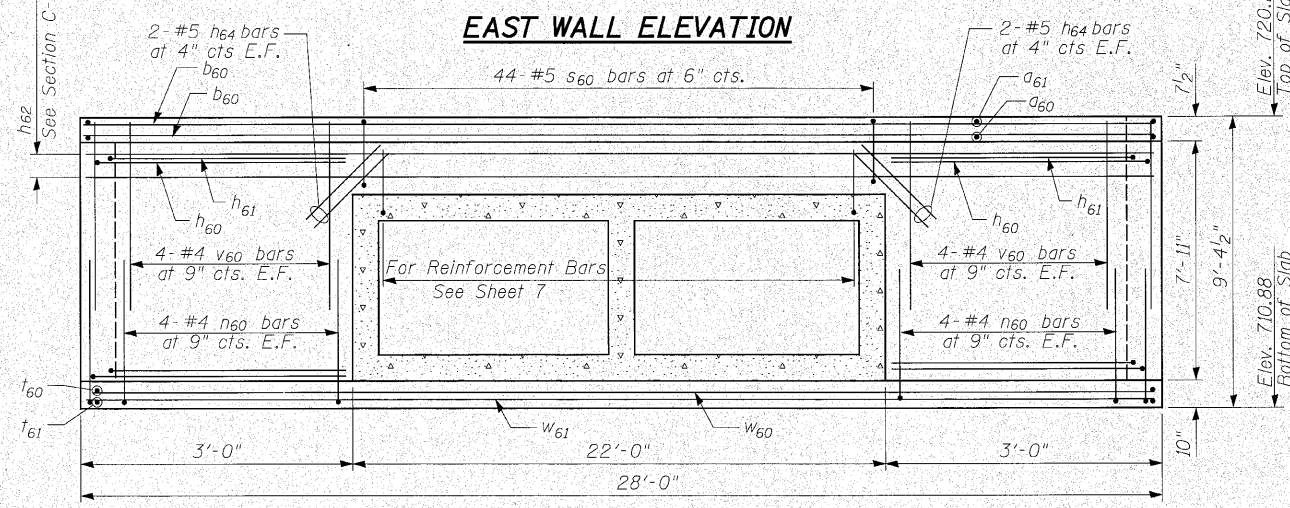
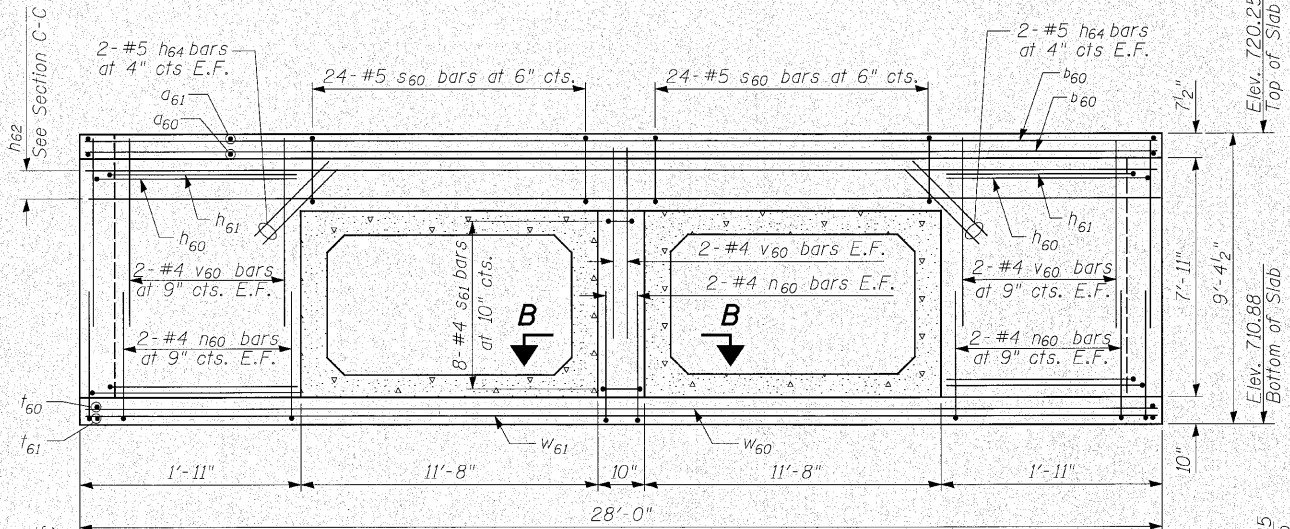
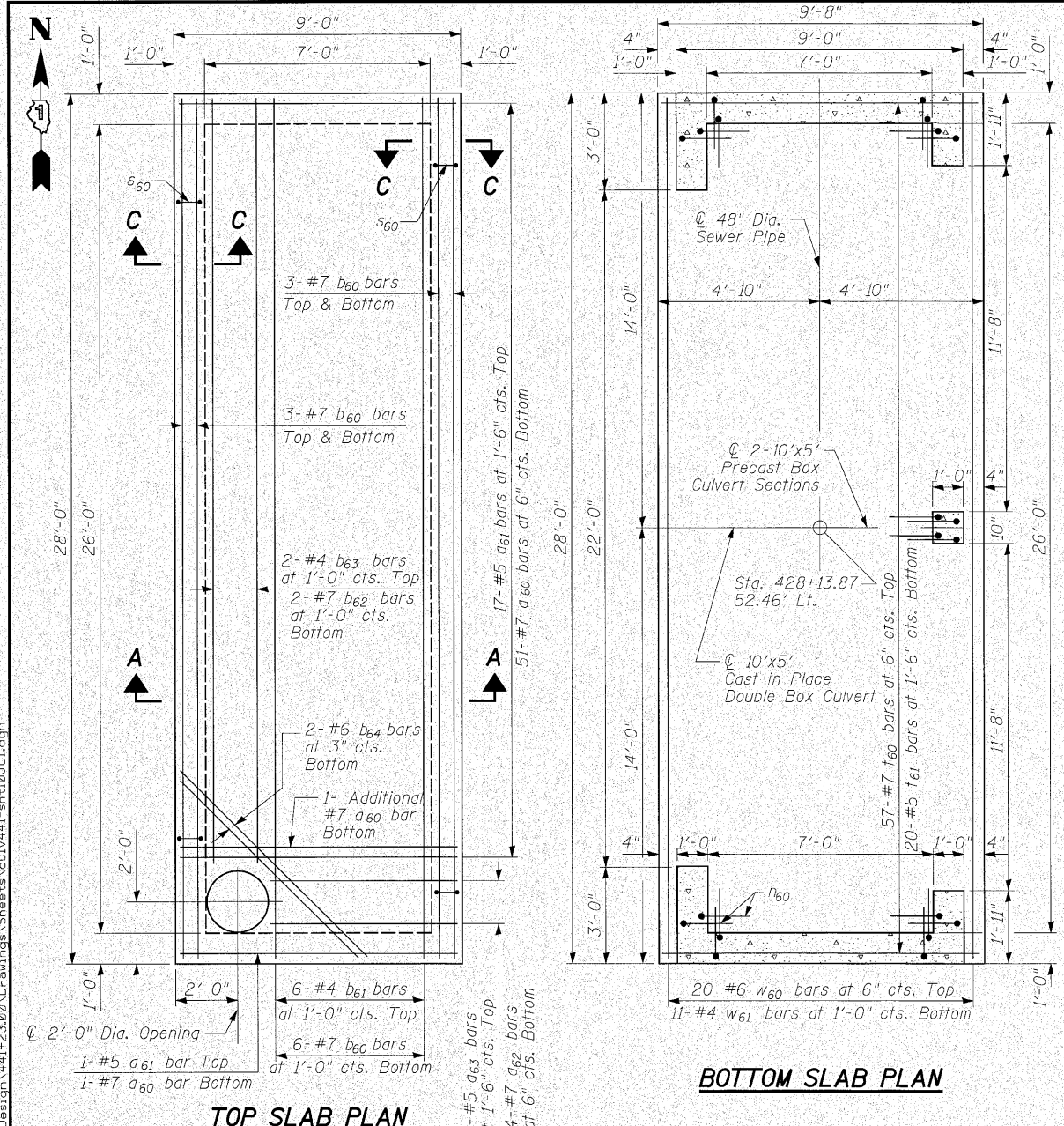


STATE OF ILLINOIS  
DEPARTMENT OF TRANSPORTATION

ROUTE NO.	SECTION	COUNTY	POST MILES	SHEET NO.
353	(12&13)WRS-4	WILL	608	449
SHEET NO. 10 23 SHEETS				



**BILL OF MATERIAL**

Bar	No.	Size	Length	Shape
a60	53	#7	10'-4"	U
a61	18	#5	8'-8"	U
a62	4	#7	7'-6"	U
a63	2	#5	6'-8"	U
b60	18	#7	27'-8"	—
b61	6	#4	27'-8"	—
b62	2	#7	25'-8"	—
b63	2	#4	25'-8"	—
b64	2	#6	8'-0"	—
h60	18	#6	12'-11"	L
h61	18	#6	10'-3"	L
h62	16	#8	27'-8"	—
h63	8	#5	9'-6"	—
h64	16	#5	2'-0"	—
n60	76	#4	5'-3"	L
s60	92	#5	5'-5"	—
s61	8	#4	3'-5"	—
t60	57	#7	11'-0"	U
t61	20	#5	9'-4"	—
v60	76	#4	6'-2"	—
w60	20	#6	27'-8"	—
w61	11	#4	27'-8"	—

Note: Quantity of Concrete Structures and Reinforcement Bars is shown for information only.

DESIGNED	SPK
CHECKED	SST
DRAWN	ASJ
CHECKED	SPK

**JUNCTION CHAMBER NO. 1**  
U.S. ROUTE 30 OVER  
HICKORY CREEK TRIBUTARY 1  
F.A.P. ROUTE 353 SEC. (12&13)WRS-4  
WILL COUNTY  
STATION 441+23.00  
STRUCTURE NO. 099-4626

**INFRASTRUCTURE ENGINEERING** INCORPORATED  
33 West Monroe | Suite 1540 | Chicago, IL 60603  
P 312.425.9560 | F 312.425.9564 | www.infrastructure-eng.com

\*Cut bars as required to clear opening

P:\P-03\15095\Drawings\Final\_Design\441+23.00\Drawings\Sheets\culv\441\_sht10JCI.dgn 6/29/2010 1:49:41 PM