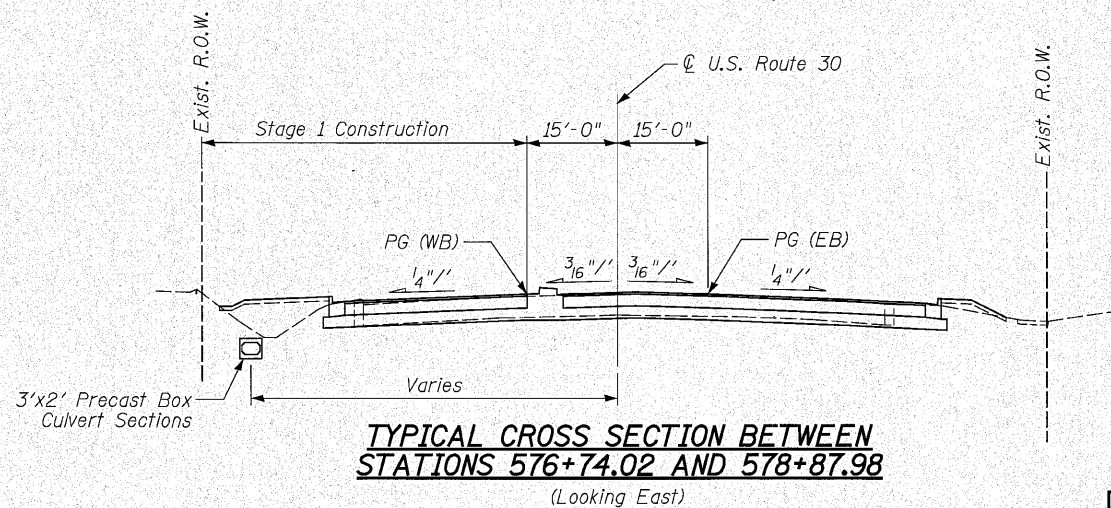
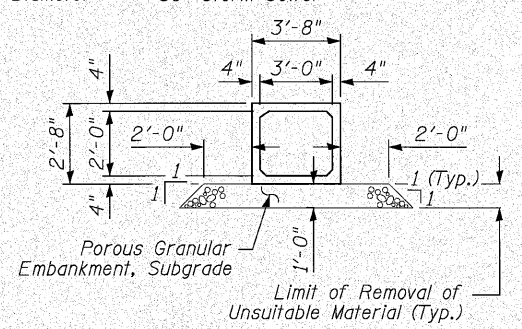
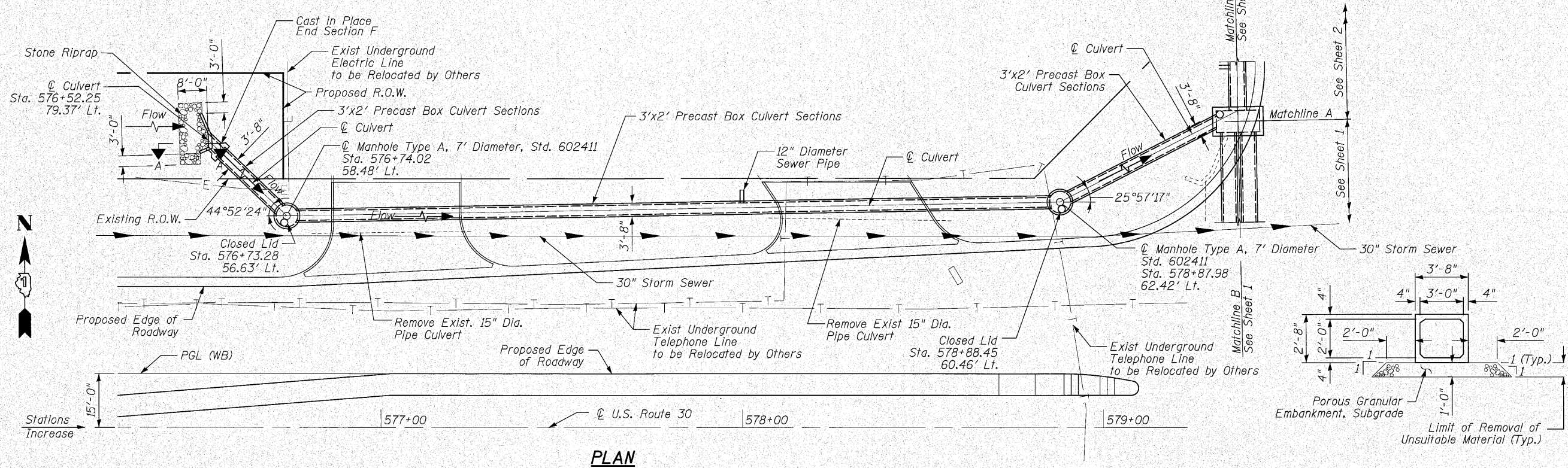
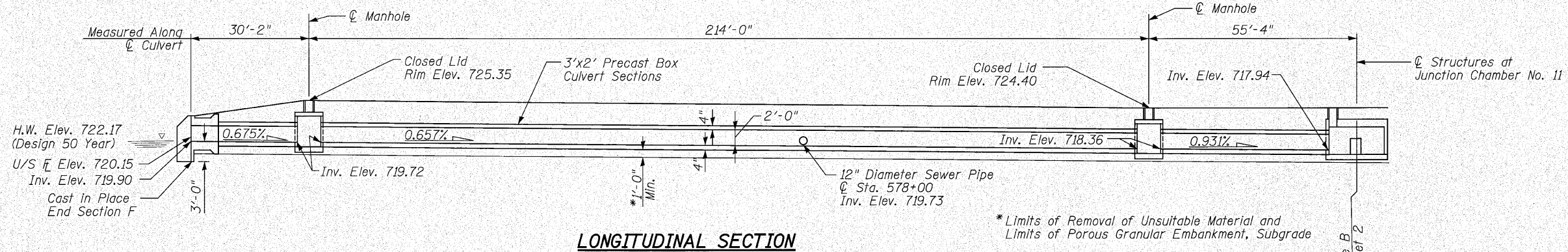


STATE OF ILLINOIS
DEPARTMENT OF TRANSPORTATION

ROUTE NO.	SECTION	COUNTY	TOTAL SHEETS	SHEET NO.	SHEET NO.
353	(12&13)WRS-4	Will	608	478	9 SHEETS
FED. ROAD DIST. NO. 7		ILLINOIS	FED. AID PROJECT-		Contract No. 62478



Note:
1. For Section A-A, See Sheet 2.

DESIGNED	MT
CHECKED	RB
DRAWN	JHP
CHECKED	SPK

INFRASTRUCTURE ENGINEERING INCORPORATED
33 West Monroe | Suite 1540 | Chicago, IL 60603
P 312.425.9560 | F 312.425.9564 | www.infrastructure-eng.com

PARTIAL GENERAL PLAN (3 OF 3)
U.S. ROUTE 30 OVER DRAINAGE DITCH
F.A.P. ROUTE 353 SEC. (12&13)WRS-4
WILL COUNTY
STATION 579+38.78
STRUCTURE NO. 099-C028