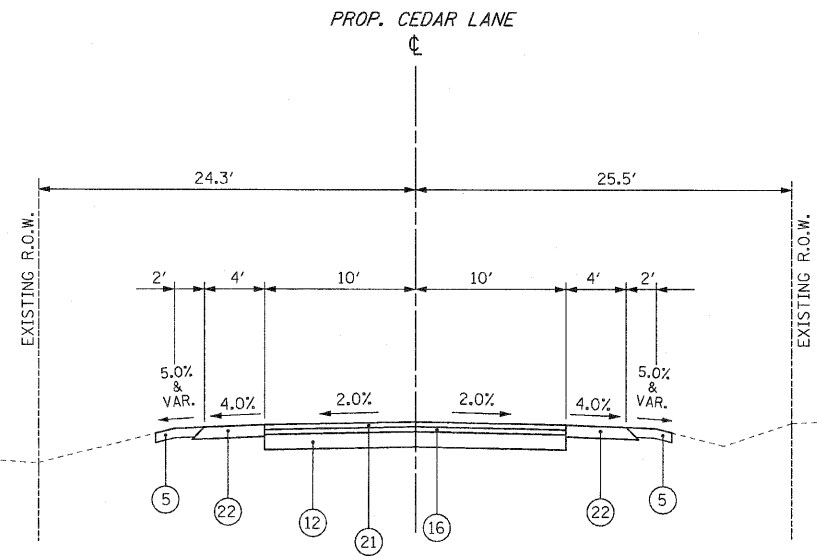


F.A.P. RTE.	SECTION	COUNTY	TOTAL SHEETS	SHEET NO.
353	(12&13)WRS-3	WILL	1235	39
STA.		TO STA.		
FED. ROAD DIST. NO.		ILLINOIS	FED. AID PROJECT	

CONTRACT NO. 62479



PROPOSED TYPICAL SECTION

CEDAR LANE

NORTH OF U.S. ROUTE 30
STA 402+12 TO STA 420+13

PROPOSED LEGEND

- ① PORTLAND CEMENT CONCRETE PAVEMENT, 9 3/4" (JOINTED)
- ② STABILIZED SUBBASE - HOT MIX ASPHALT, 4 1/2"
- ③ AGGREGATE SUBGRADE 12", SPECIAL
- ④ COMBINATION CONCRETE CURB & GUTTER, TYPE B-6.24
- ⑤ TOPSOIL FURNISH AND PLACE, 4"
- ⑥ PORTLAND CEMENT CONCRETE SIDEWALK, 5"
- ⑦ HOT-MIX ASPHALT SURFACE COURSE, MIX "C", N50, 3"
- ⑧ TOPSOIL FURNISH AND PLACE, 8"
- ⑨ TOPSOIL FURNISH AND PLACE, 24"
- ⑩ CONCRETE MEDIAN, TYPE SB-6.24 (MODIFIED)
- ⑪ HOT-MIX ASPHALT PAVEMENT (FULL DEPTH), 9"
- ⑫ AGGREGATE SUBGRADE, 12"
- ⑬ LEVELING BINDER, (MACHINE METHOD), N50, 3/4"
- ⑭ HOT-MIX ASPHALT SURFACE COURSE, MIX "C", N50, 1 1/2"
- ⑮ COMBINATION CONCRETE CURB & GUTTER, TYPE B-6.12
- ⑯ HOT-MIX ASPHALT BINDER COURSE, IL-19.0, N50, 2 1/4"
- ⑰ HOT-MIX ASPHALT BINDER COURSE, IL-19.0, N50, 6 3/4"
- ⑱ HOT-MIX ASPHALT SURFACE COURSE, MIX "D", N50, 1 1/2"
- ⑲ HOT-MIX ASPHALT BASE COURSE WIDENING, 6 3/4"
- ⑳ AGGREGATE BASE COURSE, TYPE B 6"
- ㉑ HOT-MIX ASPHALT SURFACE COURSE, MIX "C", N50, 2"
- ㉒ AGREGATE SHOULDERS, TYPE B 6"

REVISIONS		ILLINOIS DEPARTMENT OF TRANSPORTATION
NAME	DATE	
		TYPICAL SECTIONS PROPOSED CEDAR LANE
SCALE : 1" = NTS		DRAWN BY : BEC
DATE : 10/12/2010		CHECKED BY : GB