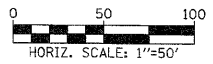
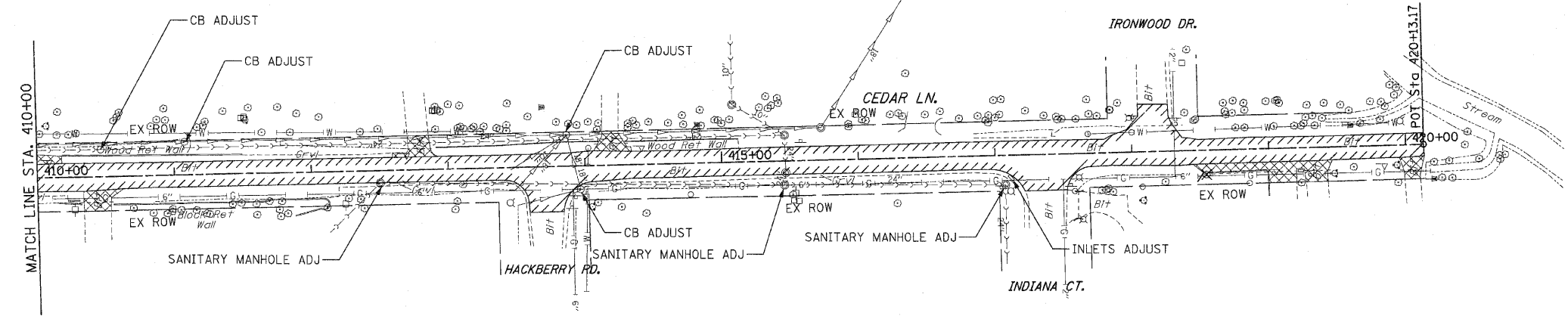
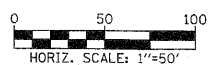
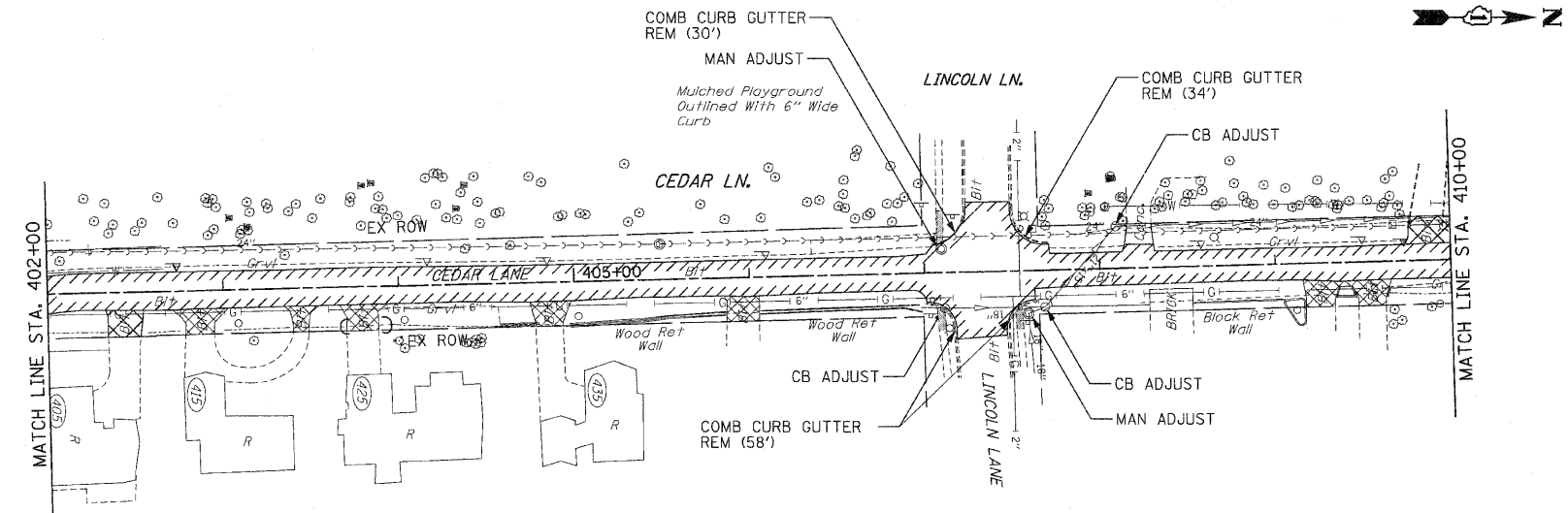


F.A.P. RTE.	SECTION	COUNTY	TOTAL SHEETS	SHEET NO.
353	(12&13)WRS-3	WILL	1235	80
STA.		TO STA.		
FED. ROAD DIST. NO.	ILLINOIS	FED. AID PROJECT		

CONTRACT NO. 62479



NOTES:

1. FOR REMOVAL NOTES SEE FIRST PAGE REMOVAL PLANS.
2. FOR REMOVAL LEGEND SEE FIRST PAGE REMOVAL PLANS.

REVISIONS		ILLINOIS DEPARTMENT OF TRANSPORTATION
NAME	DATE	
		REMOVAL PLANS CEDAR LANE

SCALE : 1" = 50' DRAWN BY : BAE
DATE : 10/12/2010 CHECKED BY : GB