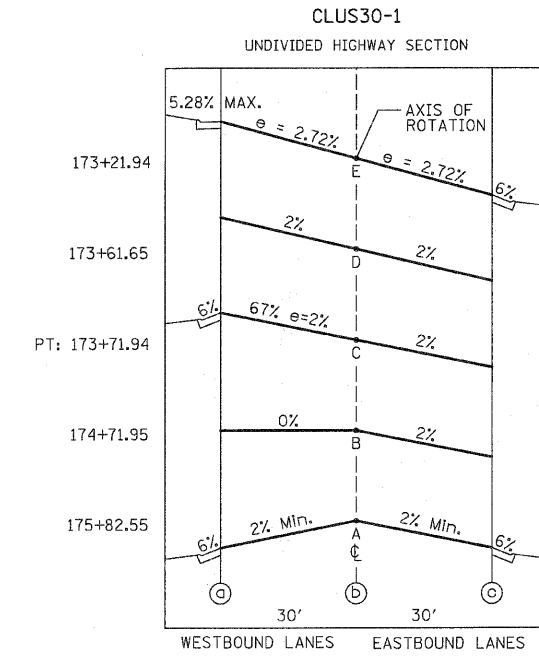
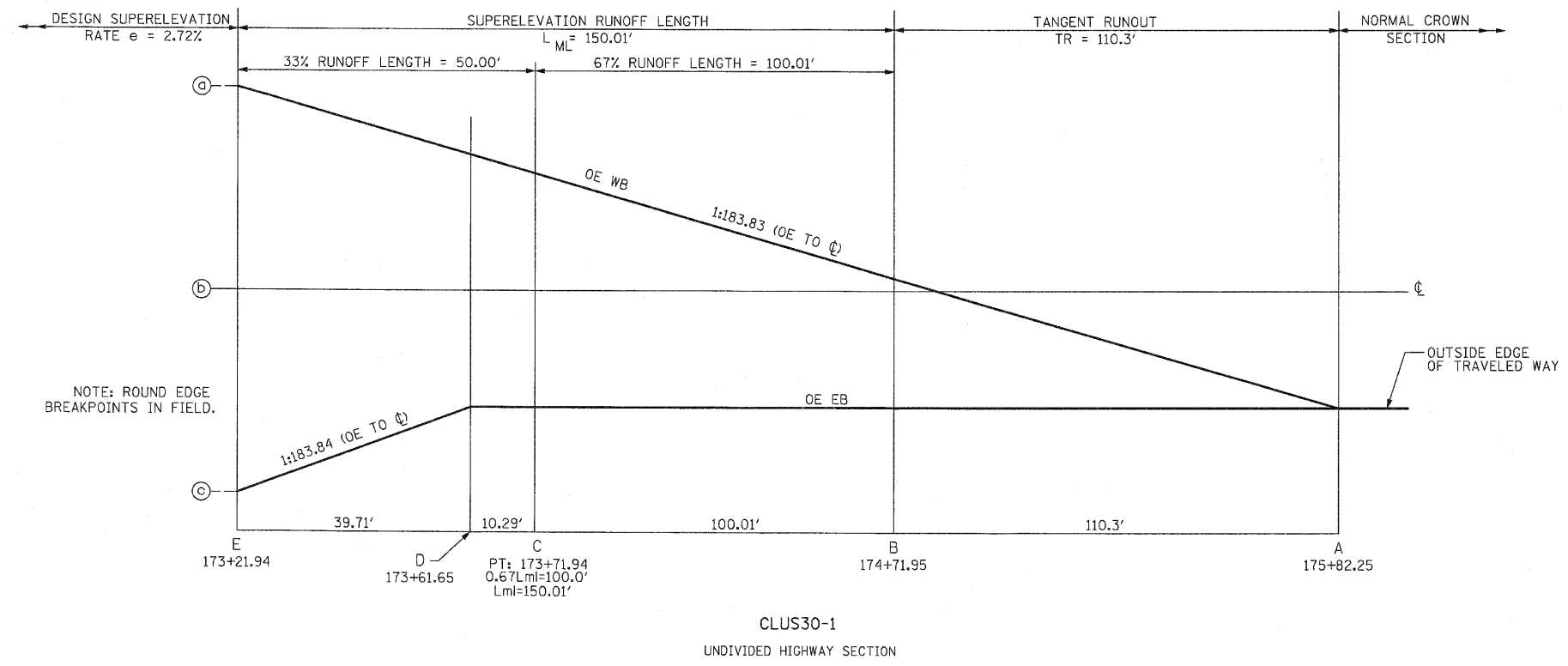
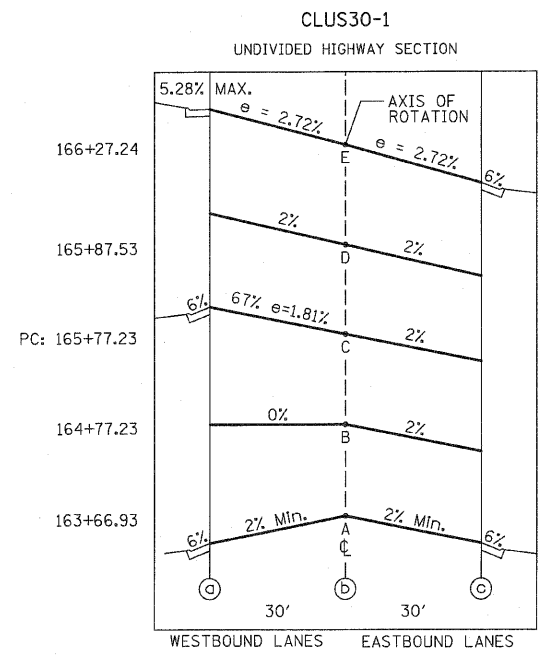
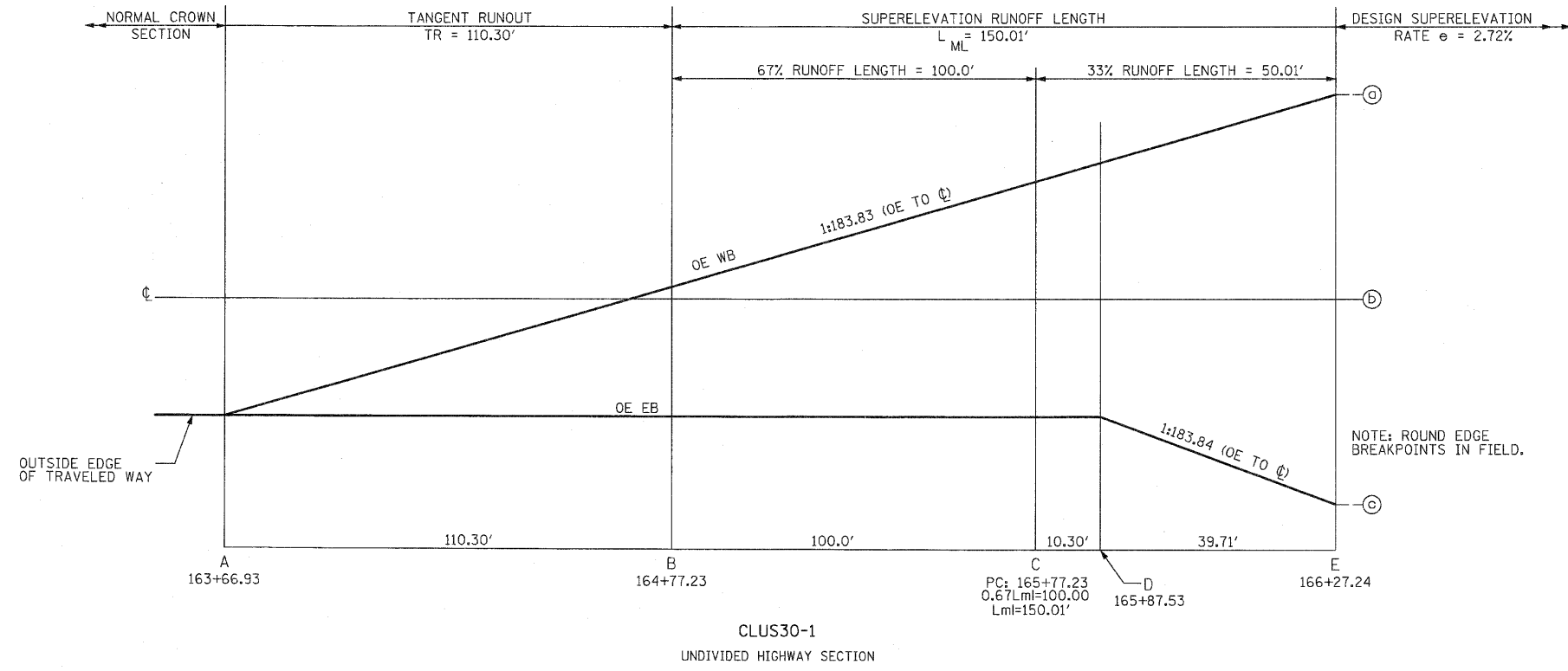


F.A.P. RTE.	SECTION	COUNTY	TOTAL SHEETS	SHEET NO
353	(12&13)WRS-3	WILL	1235	114
STA.		TO STA.		
FED. ROAD DIST. NO.	ILLINOIS	FED. AID PROJECT		

CONTRACT NO. 62479



REVISIONS	
NAME	DATE

ILLINOIS DEPARTMENT OF TRANSPORTATION  
**SUPERELEVATION DETAILS**  
 U.S. RTE. 30 (LINCOLN HIGHWAY)

SCALE : 1" = NTS  
 DATE : / /  
 DRAWN BY : BAE  
 CHECKED BY : GB