

PART OF NE 1/4 SECTION 24, T.35N., R.11E., OF THE 3rd. P.M. WILL COUNTY, ILLINOIS

PARCEL NO.	OWNER	TOTAL HOLDING ACRES	PART TAKEN ACRES	REMAINDER ACRES	PREVIOUSLY ACRES	EASEMENT ACRES	EASEMENT PURPOSE	PERMANENT ID. NO.	PROPERTY ACQUIRED BY
1FW0058	BLUESTONE BAY EAST TOWNHOME ASSOCIATION	3.970	0.302	3.668	N/A	N/A	N/A	08-24-210-001	
1FW0060	LAWRENCE & LYNN STARSHAK	0.967	0.084	0.883	N/A	N/A	N/A	08-24-205-019	
1FW0061	STEVE A. & KATHY L. WILMSEN	0.691	0.069	0.622	N/A	N/A	N/A	08-24-205-011	
1FW0062	WILLIAM R. HOSH REVOCABLE LIVING TRUST	0.923	0.070	0.853	N/A	N/A	N/A	08-24-205-012 08-24-205-013	
1FW0063	RICHARD A. & JOY L. FROST	0.462	0.035	0.427	N/A	N/A	N/A	08-24-205-014	
1FW0064	WILLIAM R. HOSH REVOCABLE LIVING TRUST	0.462	0.035	0.427	N/A	N/A	N/A	08-24-205-015	
1FW0065	RAYMOND G. ZARACK	0.574	0.102	0.472	N/A	0.012 503 SF	DEMOLITION	08-24-205-016 08-24-205-018	

STATE OF ILLINOIS)
COUNTY OF WILL)SS
THIS IS TO CERTIFY THAT I, ROBERT A. ROGINA, AN ILLINOIS PROFESSIONAL LAND SURVEYOR, HAVE SURVEYED THE PLAT OF HIGHWAYS SHOWN HERE IN SECTION 24, TOWNSHIP 35 NORTH, AND RANGE 11 EAST OF THE THIRD PRINCIPAL MERIDIAN, WILL COUNTY; THAT THE SURVEY IS TRUE AND COMPLETE AS SHOWN TO THE BEST OF MY KNOWLEDGE AND BELIEF; THAT THE PLAT CORRECTLY REPRESENTS SAID SURVEY, THAT ALL MONUMENTS FOUND AND ESTABLISHED ARE OF PERMANENT QUALITY AND OCCUPY THE POSITIONS SHOWN THEREON AND THAT THE MONUMENTS ARE SUFFICIENT TO ENABLE THE SURVEY TO BE RETRACED, MADE FOR THE DEPARTMENT OF TRANSPORTATION, STATE OF ILLINOIS. THIS PROFESSIONAL SERVICE CONFORMS TO THE CURRENT MINIMUM ILLINOIS STANDARDS FOR A BOUNDARY SURVEY.

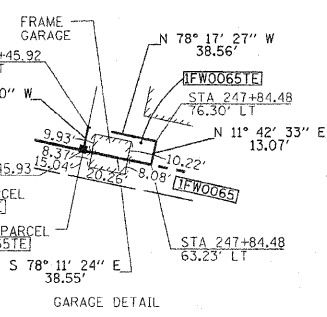
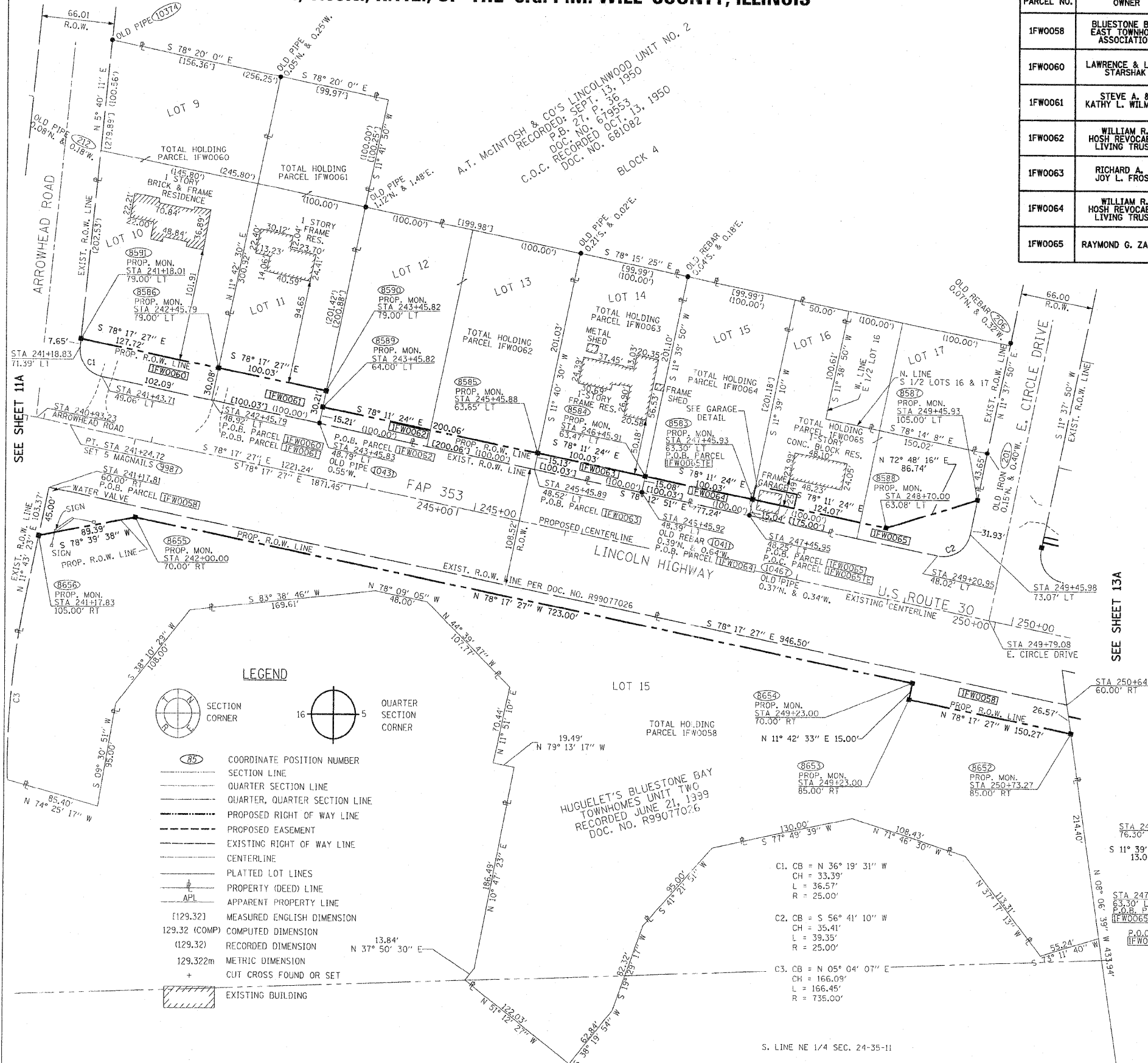
DATED AT JOLIET, ILLINOIS THIS 15th DAY OF JUNE, 2009 A.D.

NOTE: ILLINOIS PROFESSIONAL LAND SURVEYOR NO. 2017
LICENSE EXPIRES 11/30/10

BASIS OF BEARINGS IS THE ILLINOIS STATE PLANE COORDINATE SYSTEM EAST ZONE, NAD 83

SHEET ONE IS A COVER SHEET AND IS NOT RECORDED

- IRON OR PIPE FOUND ○ IRON SET
- T1 THESE STAKES REFERENCE FOUND MONUMENTATION. SET 9/16 INCH IRON ROD FLUSH WITH GROUND TO TIE FOUND IRON STAKE IDENTIFIED BY COLORED PLASTIC CAP BEARING SURVEYORS REGISTRATION NUMBER.
- BT1 THESE STAKES, IN CULTIVATED AREAS, REFERENCE FOUND MONUMENTATION. BURIED 9/16 INCH IRON ROD 20 INCHES BELOW GROUND TO TIE TP FOUND IRON STAKE. IDENTIFIED BY COLORED PLASTIC CAP BEARING SURVEYORS REGISTRATION NUMBER.
- STAKING OF PROPOSED RIGHT OF WAY. SET DIVISION OF HIGHWAYS SURVEY MARKER TO MONUMENT THE POSITION SHOWN. IDENTIFIED BY INSCRIPTION DATA AND SURVEYORS REGISTRATION NUMBER.
- M STAKING OF PROPOSED RIGHT OF WAY IN CULTIVATED AREAS. BURIED 9/16 INCH METAL ROD 20 INCHES BELOW GROUND TO MARK FUTURE SURVEY DISK POSITION IDENTIFIED BY COLORED PLASTIC CAP BEARING SURVEYORS REGISTRATION NUMBER.
- PERMANENT SURVEY MARKER, I.D.O.T. STD. 2135 (TO BE SET BY OTHERS)
- RIGHT OF WAY STAKING PROPOSED TO BE SET.



PREPARED BY: **ROGINA & ASSOCIATES, L.T.D.**
93 Caterpillar Drive Joliet, Illinois 61512-0777 FAX 815/729-0762

REVISION	DATE	DESCRIPTION
	07/22/08	IDOT REVIEW
	08/11/08	IDOT REVIEW
	04/13/09	IDOT REVIEW
	06/09/09	IDOT REVIEW
	10/27/09	IDOT REVIEW
	05/06/10	IDOT REVIEW

ILLINOIS DEPT. OF TRANSPORTATION
PLAT OF HIGHWAYS
ROUTE FAP 353 U.S. ROUTE 30
SECTION WILLIAM ST. TO IL. 43
COUNTY WILL
JOB# R-91-016-01 PROJECT#
SEC 24 T 35N, R11E OF 3rd P.M.
STA 241+00.00 TO STA 251+00.00
DRAWN M.MILTON CHECKED J.KELLA
SCALE: 1"=50' SHEET NO. 12A OF 31A

RECEIVED
MAY 06 2010
PLATS & LEGALS

PLOT DATE = 5/6/2010
PLOT SCALE = 1"=50'
PLOT NAME = 12A