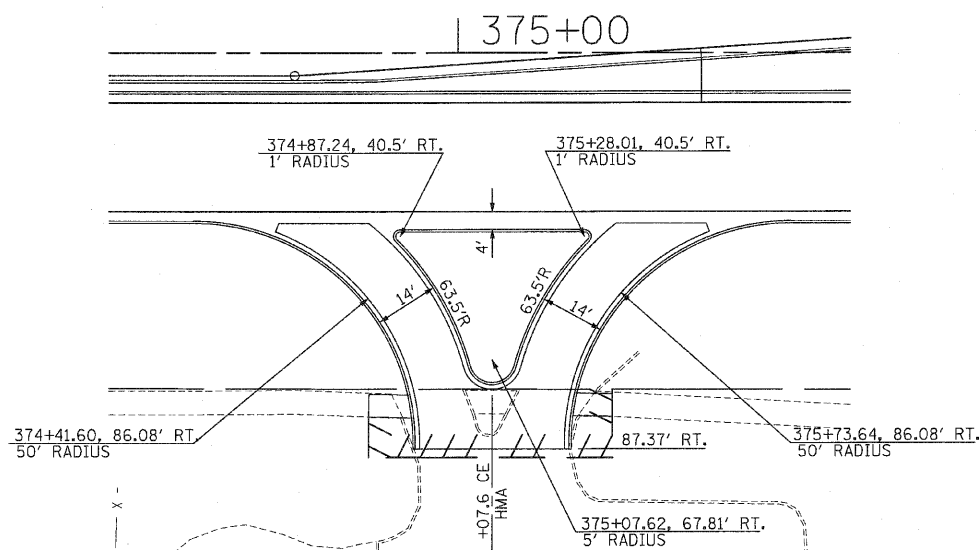
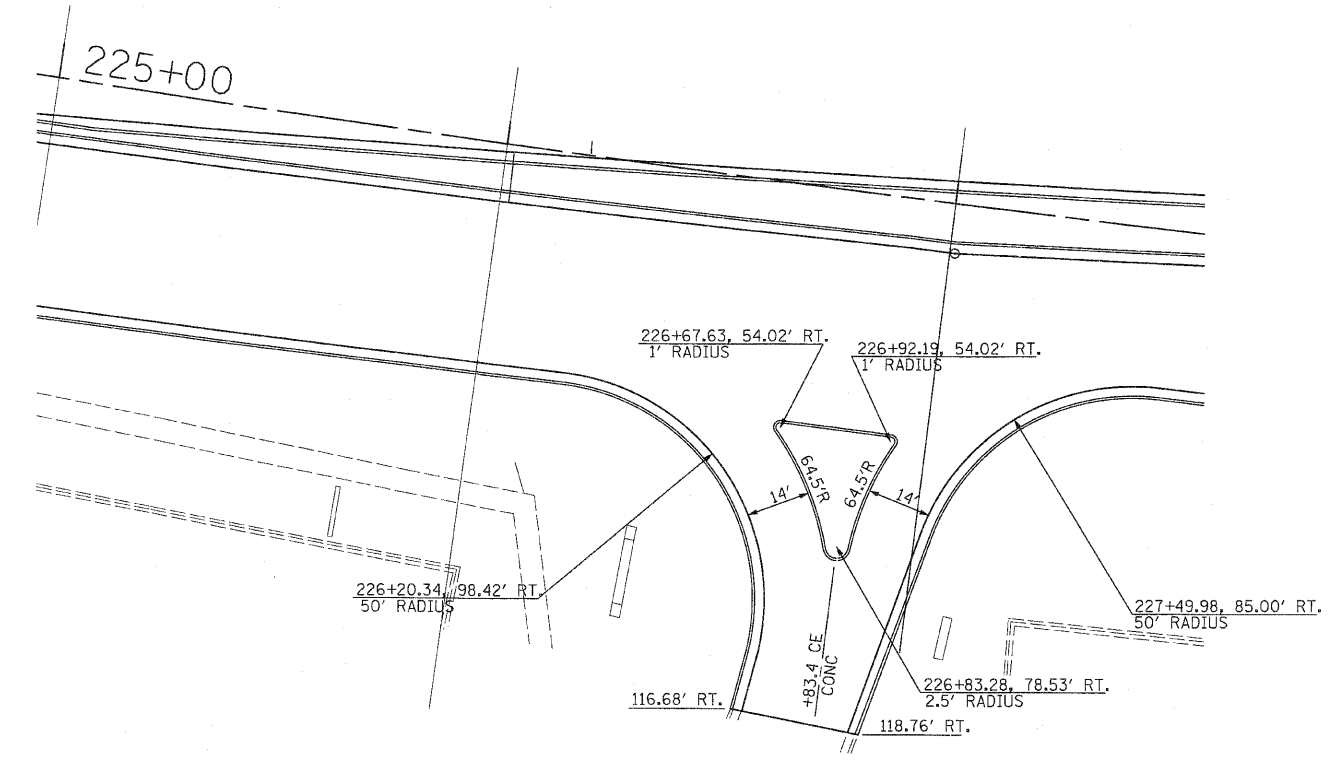
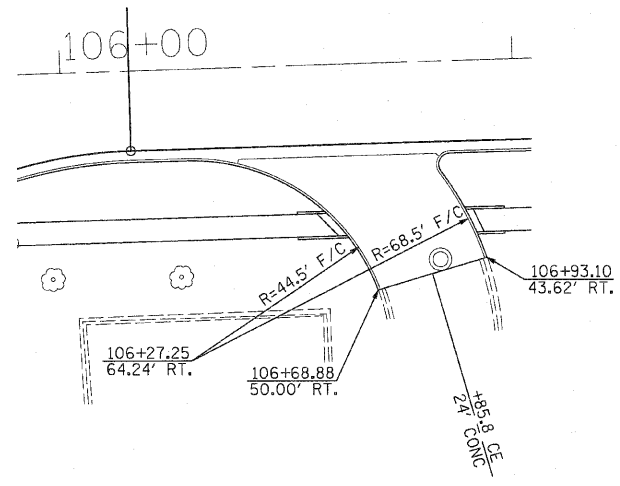
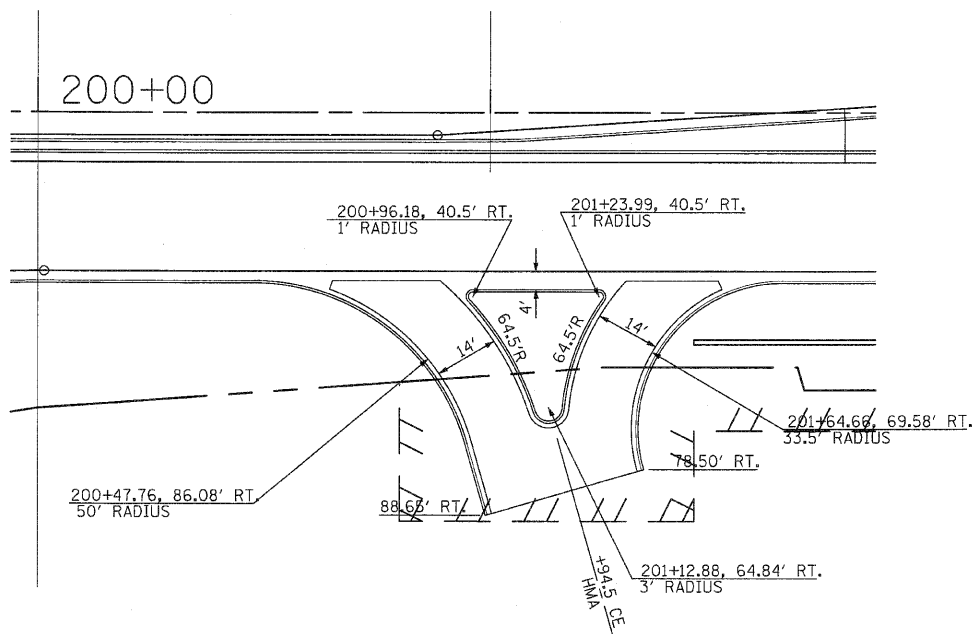
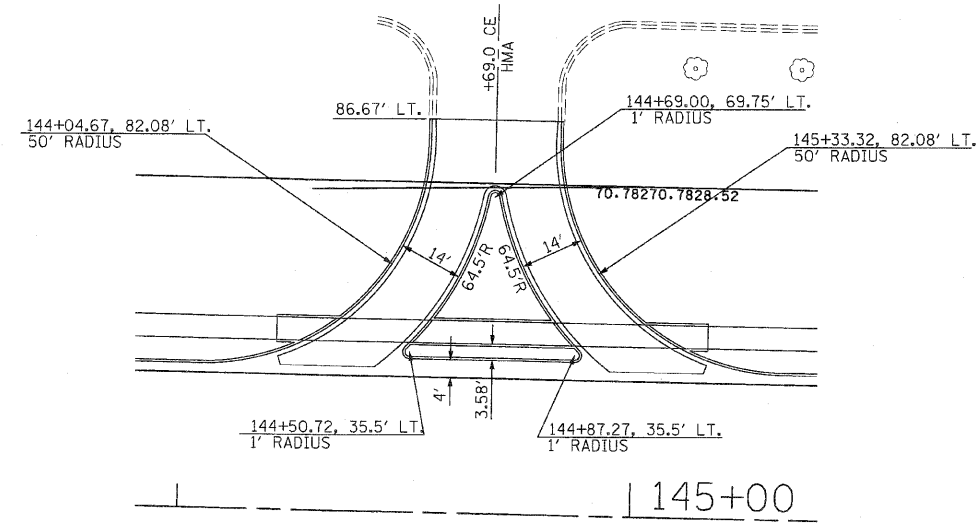


F.A.P. RTE.	SECTION	COUNTY	TOTAL SHEETS	SHEET NO
353	(12&13)WRS-3	WILL.	1235	414
STA. 118+00	TO STA. 146+00			
FED. ROAD DIST. NO.	ILLINOIS	FED. AID PROJECT		
CONTRACT NO. 62479				



REVISIONS	
NAME	DATE

ILLINOIS DEPARTMENT OF TRANSPORTATION  
 DRIVEWAY DETAILS  
 U.S. RTE. 30 (LINCOLN HIGHWAY)  
 SCALE :  
 DATE : / /  
 DRAWN BY : BAE  
 CHECKED BY : GB