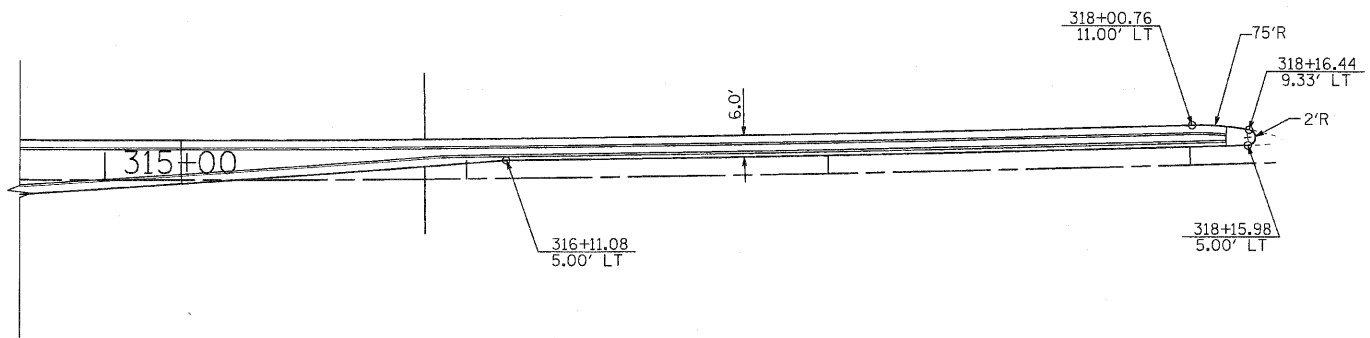
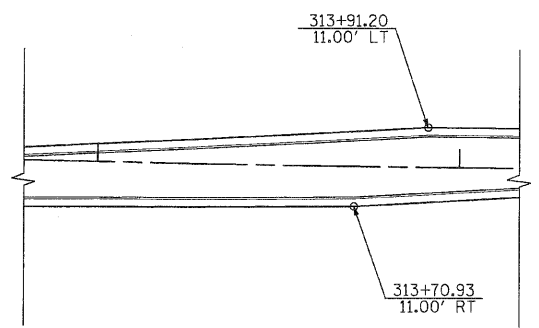
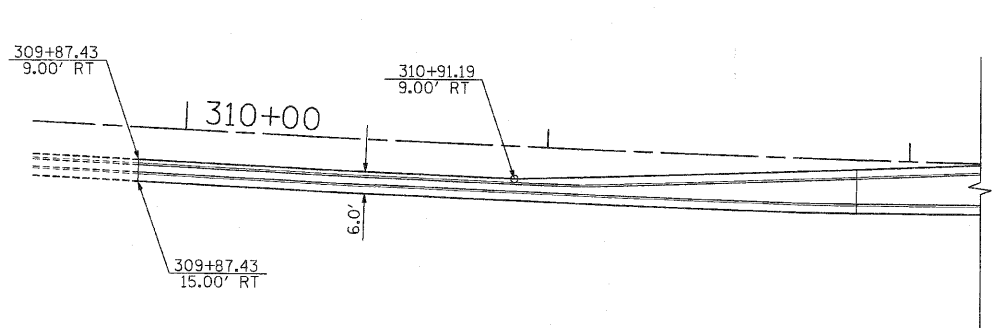
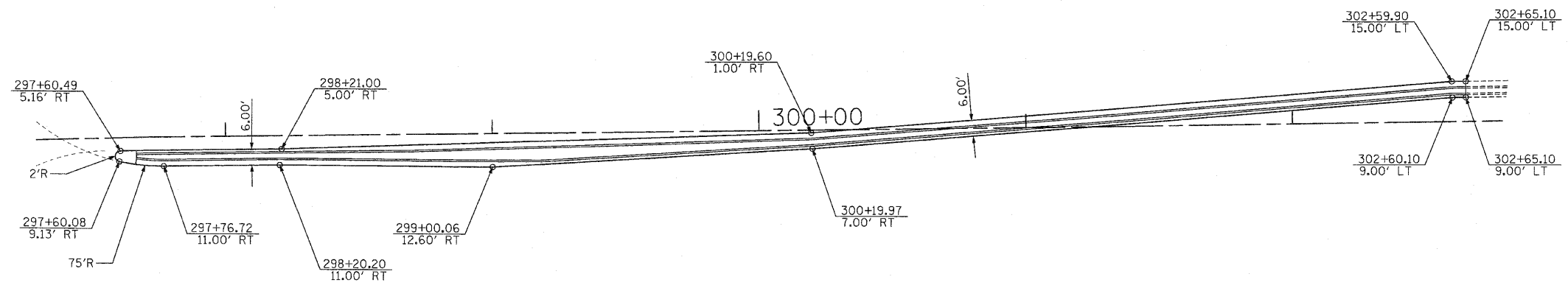


F.A.P. RTE.	SECTION	COUNTY	TOTAL SHEETS	SHEET NO.
353	(12&13)WRS-3	WILL	1235	415
STA. 118+00		TO STA. 146+00		
FED. ROAD DIST. NO.	ILLINOIS	FED. AID PROJECT		

CONTRACT NO. 62479



REVISIONS	
NAME	DATE

ILLINOIS DEPARTMENT OF TRANSPORTATION
 MEDIAN DETAILS
 U.S. RTE. 30 (LINCOLN HIGHWAY)
 SCALE : / /
 DATE : / /
 DRAWN BY : BAE
 CHECKED BY : GB