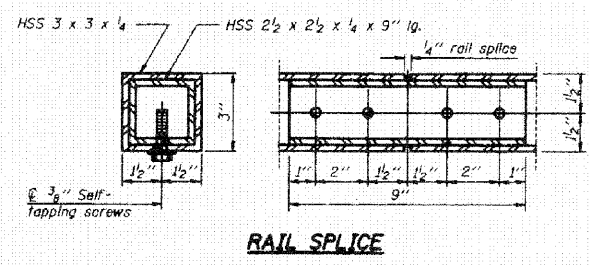
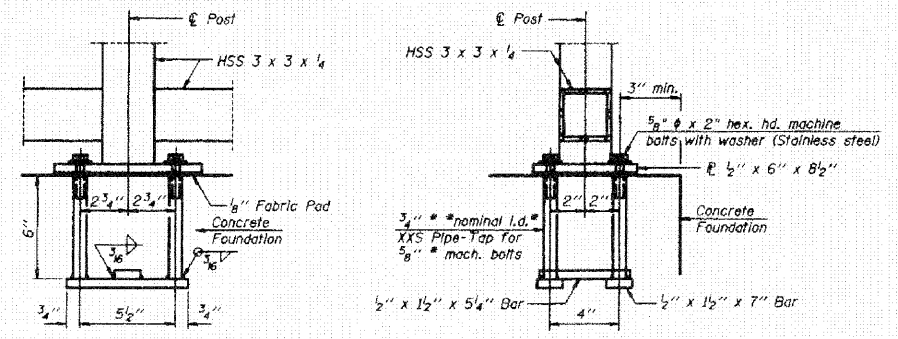
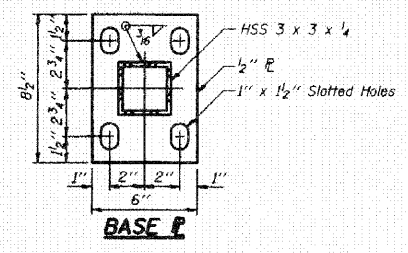
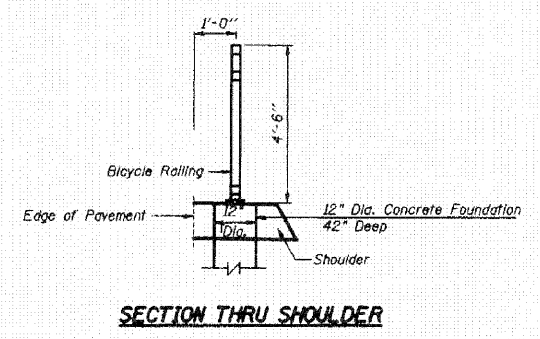
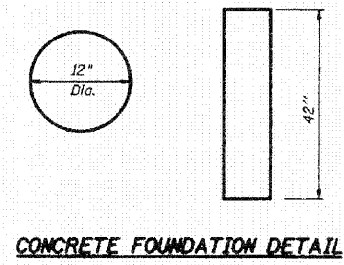
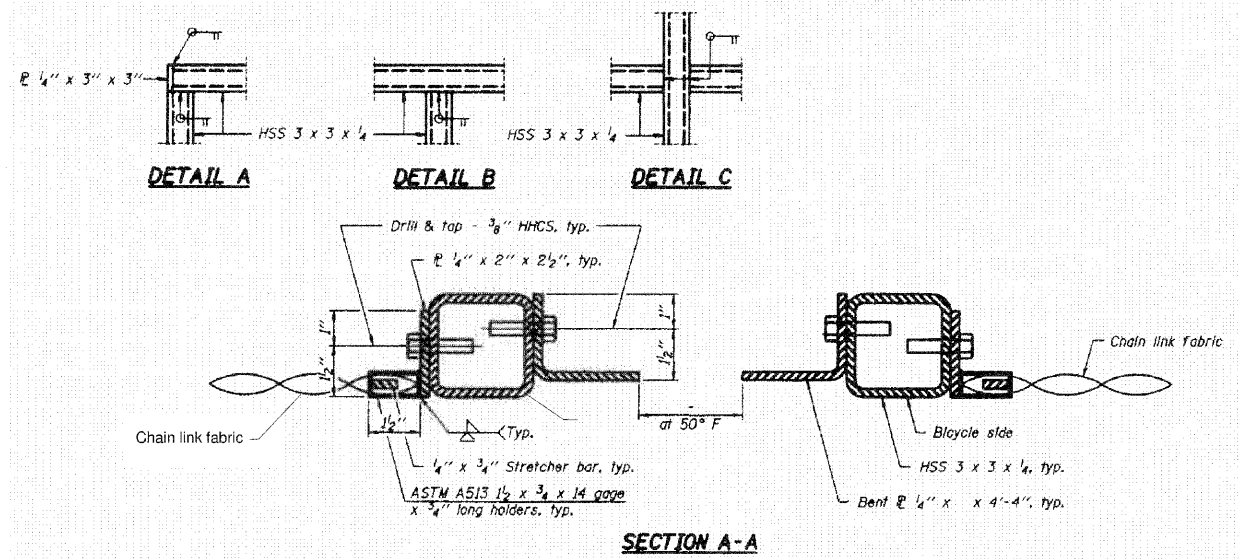
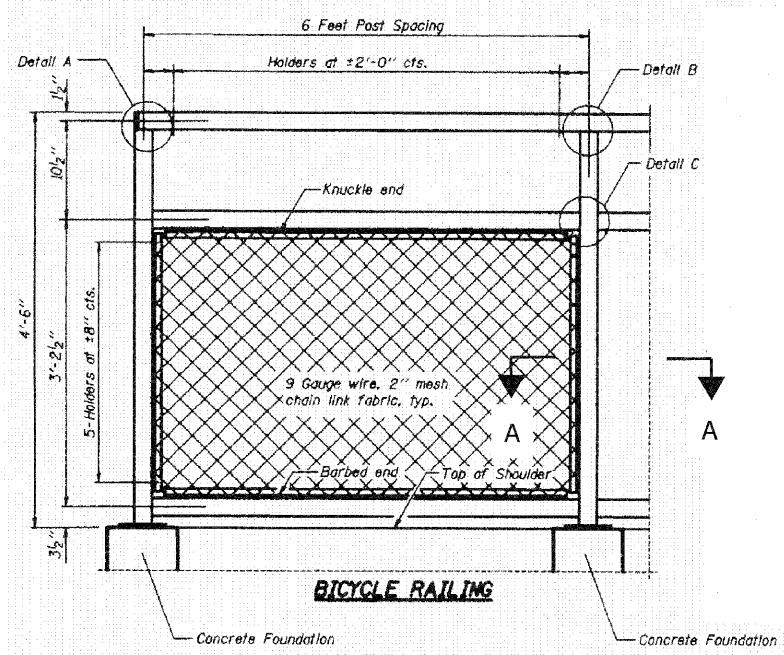


F.A.P. RTE.	SECTION	COUNTY	TOTAL SHEETS	SHEET NO.
353	(12&13)WRS-3	WILL	1235	415C
STA.		TO STA.		
FED. ROAD DIST. NO. 1 ILLINOIS FED. AID PROJECT				
CONTRACT NO. 62479				



- NOTES**
1. All post, railing, splices, anchor devices, and bent plates shall be painted using the PARAFET RAILING Special Provision.
 2. All labor, equipment and materials necessary to furnish and install the concrete foundations for the Bicycle Railing posts shall be included in the contract unit price for BICYCLE RAILING.

ANCHOR BOLT DETAILS
 In lieu of the cast-in-place anchor device shown, the Contractor has the option of drilling and setting 3/8" anchor rods according to Article 509.06 of the Standard Specifications. Embedment shall be according to the manufacturer's specifications.

REVISIONS		ILLINOIS DEPARTMENT OF TRANSPORTATION
NAME	DATE	
		BICYCLE RAILING DETAIL

SCALE: VERT. N.T.S.
 DATE: 10/12/2010
 DRAWN BY: MS
 CHECKED BY: ZH