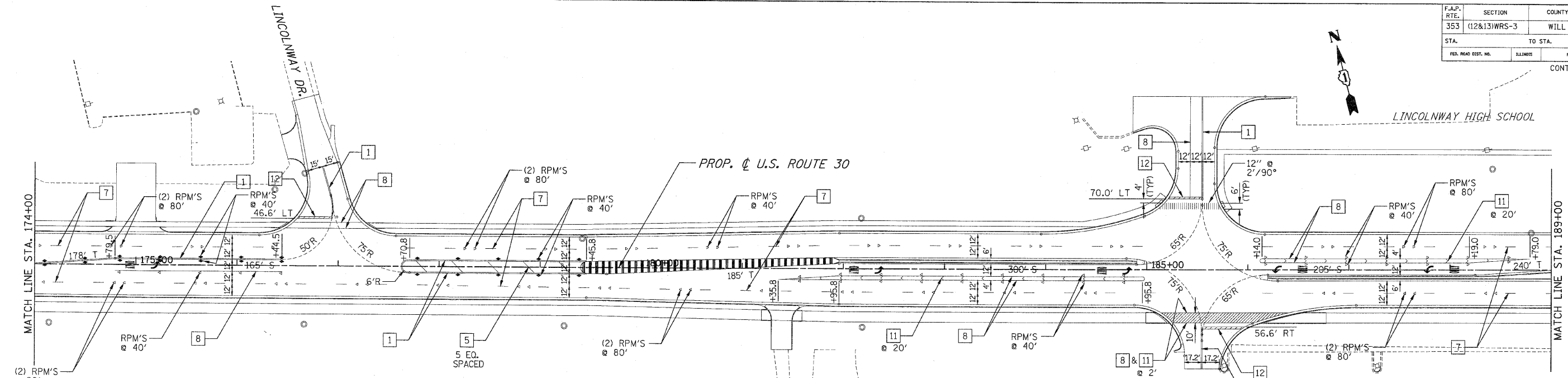


F.A.P. RTE.	SECTION	COUNTY	TOTAL SHEETS	SHEET NO.
353	(12&13)WRS-3	WILL	1235	444
STA.	TO STA.			
FED. ROAD DIST. NO.	ILLINOIS	FED. AID PROJECT		
CONTRACT NO. 62479				



LINCOLNWAY HIGH SCHOOL



PAVEMENT MARKING KEY

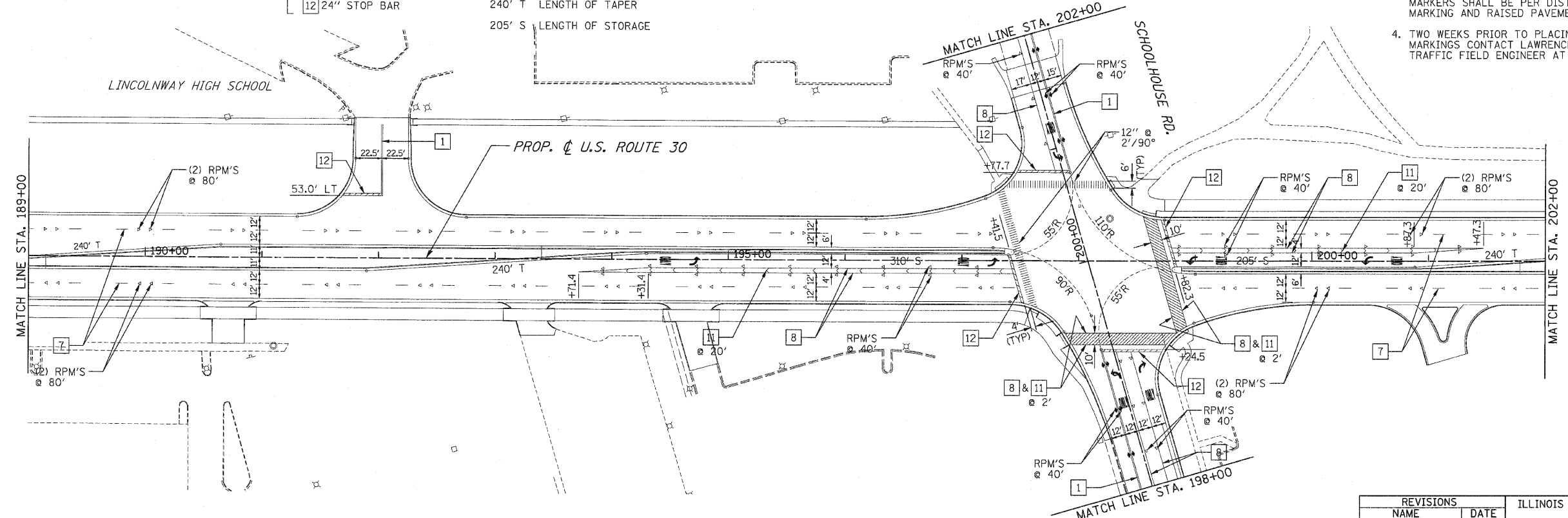
- | | | |
|---------------|-------------------------|-------------------------|
| YELLOW | 1 4" DOUBLE @ 11" C-C | 6 4" SOLID |
| | 3 4" SOLID | 7 4"- 30' SKIP/10' DASH |
| | 4 4"- 30' SKIP/10' DASH | 8 6" SOLID |
| | 5 12" DIAGONALS @ 45° | 9 6"- 6' SKIP/2' DASH |
| | | 10 8" SOLID |
| | | 11 12" SOLID @ 45° |
| | | 12 24" STOP BAR |

PAVEMENT MARKING LEGEND

- LETTERS AND SYMBOLS
- STOP LINE, 24" WHITE
- ▶ RAISED PAVEMENT MARKER (RPM), ONE-WAY CRYSTAL
- ▶ RAISED PAVEMENT MARKER (RPM), ONE-WAY AMBER
- ◆ RAISED PAVEMENT MARKER (RPM), TWO-WAY AMBER
- 240' T LENGTH OF TAPER
- 205' S LENGTH OF STORAGE

PAVEMENT MARKING NOTES

1. THERMOPLASTIC PAVEMENT MARKINGS SHALL BE APPLIED ON BITUMINOUS PAVEMENT.
2. POLYUREA PAVEMENT MARKINGS SHALL BE APPLIED ON P.C. CONCRETE PAVEMENT.
3. PAVEMENT MARKINGS AND RAISED PAVEMENT MARKERS SHALL BE PER DISTRICT ONE PAVEMENT MARKING AND RAISED PAVEMENT MARKERS DETAIL.
4. TWO WEEKS PRIOR TO PLACING PERMANENT PAVEMENT MARKINGS CONTACT LAWRENCE HILL, IDOT'S AREA TRAFFIC FIELD ENGINEER AT (815)485-6475.



REVISIONS	
NAME	DATE

ILLINOIS DEPARTMENT OF TRANSPORTATION
PAVEMENT MARKING PLANS
U.S. RTE. 30 (LINCOLN HIGHWAY)
 STA. 174+00 TO STA. 202+00
 SCALE : 1" = 50'
 DATE : 10/12/2010
 DRAWN BY : BAE
 CHECKED BY : GB