

PAVEMENT MARKING KEY

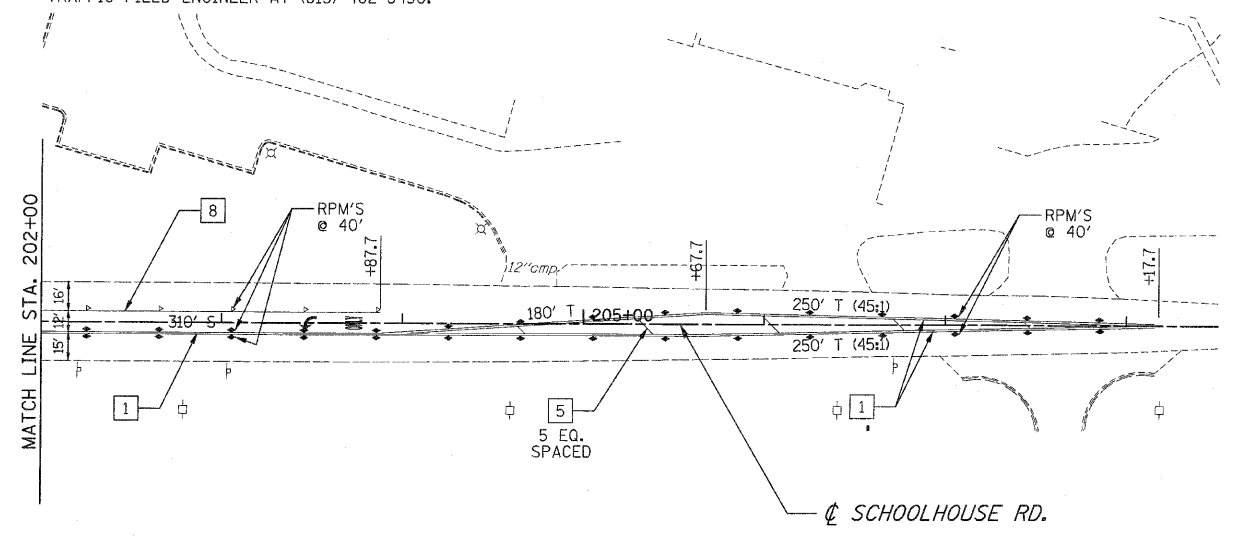
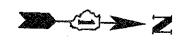
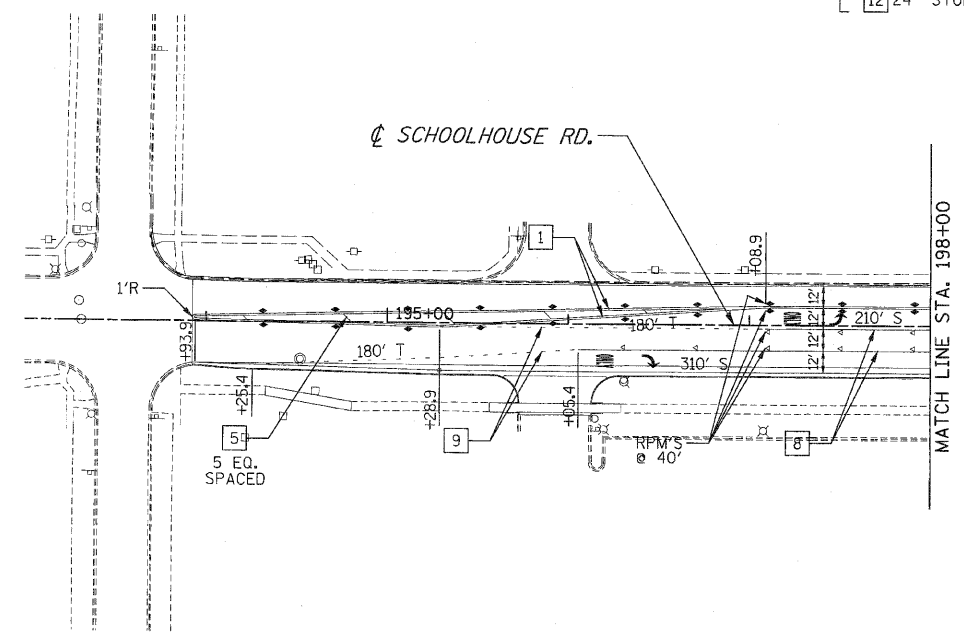
YELLOW	1	4" DOUBLE @ 11" C-C	WHITE	6	4" SOLID
	3	4" SOLID		7	4"- 30' SKIP/10' DASH
	4	4"- 30' SKIP/10' DASH		8	6" SOLID
	5	12" DIAGONALS @ 45°		9	6"- 6' SKIP/2' DASH
				10	8" SOLID
				11	12" SOLID @ 45°
				12	24" STOP BAR

PAVEMENT MARKING LEGEND

- LETTERS AND SYMBOLS
- STOP LINE, 24" WHITE
- ▶ RAISED PAVEMENT MARKER (RPM), ONE-WAY CRYSTAL
- ▶ RAISED PAVEMENT MARKER (RPM), ONE-WAY AMBER
- ◆ RAISED PAVEMENT MARKER (RPM), TWO-WAY AMBER
- 240' T LENGTH OF TAPER
- 205' S LENGTH OF STORAGE

PAVEMENT MARKING NOTES

1. THERMOPLASTIC PAVEMENT MARKINGS SHALL BE APPLIED ON BITUMINOUS PAVEMENT.
2. POLYUREA PAVEMENT MARKINGS SHALL BE APPLIED ON P.C. CONCRETE PAVEMENT.
3. PAVEMENT MARKINGS AND RAISED PAVEMENT MARKERS SHALL BE PER DISTRICT ONE PAVEMENT MARKING AND RAISED PAVEMENT MARKERS DETAIL.
4. TWO WEEKS PRIOR TO PLACING PERMANENT PAVEMENT MARKINGS CONTACT THE VILLAGE OF NEW LENOX AREA TRAFFIC FIELD ENGINEER AT (815) 462-6450.



REVISIONS		ILLINOIS DEPARTMENT OF TRANSPORTATION
NAME	DATE	
		PAVEMENT MARKING PLANS MARLEY ROAD & SCHOOLHOUSE ROAD STA. TO STA. SCALE : 1" = 50' DRAWN BY : BAE DATE : 10/12/2010 CHECKED BY : GB