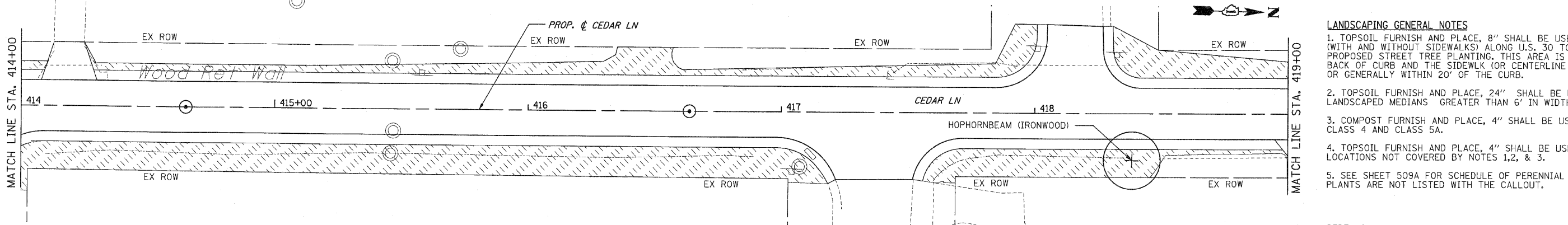
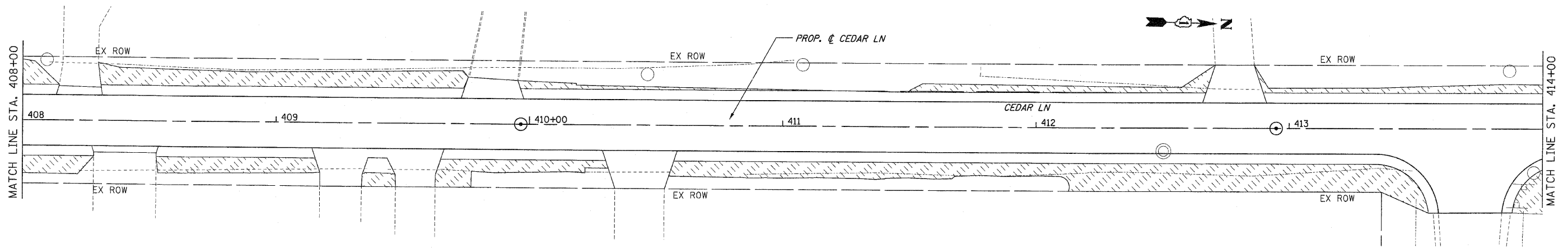
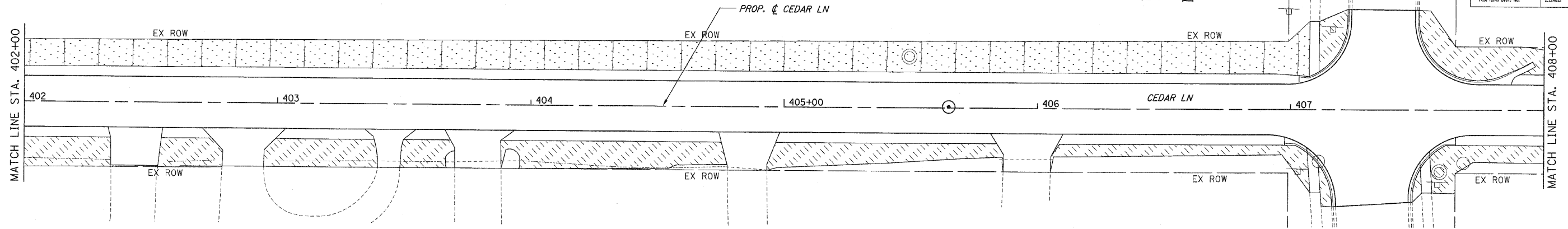


F.A.P. RTE.	SECTION	COUNTY	TOTAL SHEETS	SHEET #
353	(12&13)WRS-3	WILL	1235	508
STA.	TO STA.		FED. AID PROJECT	
			CONTRACT NO. 62479	

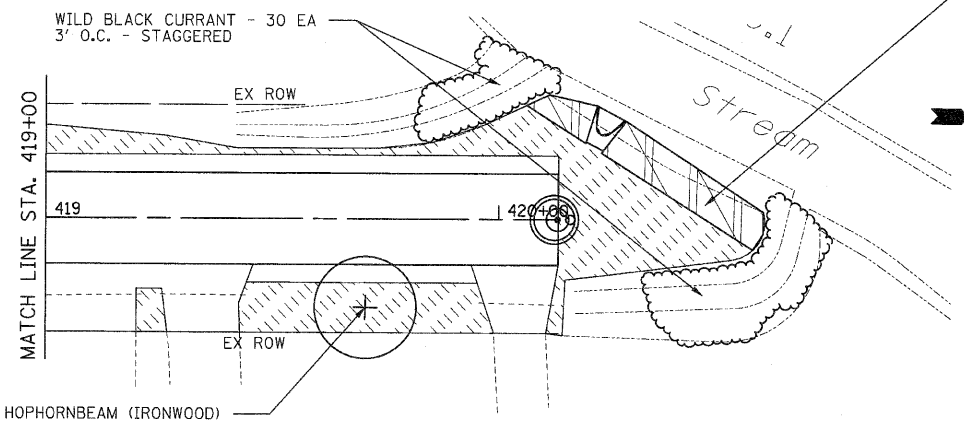


- LANDSCAPING GENERAL NOTES**
1. TOPSOIL FURNISH AND PLACE, 8" SHALL BE USED IN PARKWAYS (WITH AND WITHOUT SIDEWALKS) ALONG U.S. 30 TO FACILITATE PROPOSED STREET TREE PLANTING. THIS AREA IS BETWEEN THE BACK OF CURB AND THE SIDEWALK (OR CENTERLINE OF THE DITCH OR GENERALLY WITHIN 20' OF THE CURB).
 2. TOPSOIL FURNISH AND PLACE, 24" SHALL BE USED IN ALL LANDSCAPED MEDIANS GREATER THAN 6' IN WIDTH.
 3. COMPOST FURNISH AND PLACE, 4" SHALL BE USED WITH SEEDING CLASS 4 AND CLASS 5A.
 4. TOPSOIL FURNISH AND PLACE, 4" SHALL BE USED AT ALL OTHER LOCATIONS NOT COVERED BY NOTES 1, 2, & 3.
 5. SEE SHEET 509A FOR SCHEDULE OF PERENNIAL PLANTS WHEN PLANTS ARE NOT LISTED WITH THE CALLOUT.

PERENNIAL PLANTS, WOODLAND TYPE, QUART POT - 1.60 UNIT
 -CALTHA PALUSTRIS (MARSH MARIGOLD) - 160 EA
 PERENNIAL PLANT, WETLAND TYPE, 2" DIAMETER BY 4" DEEP PLUG (BUFFER TO HICKORY CREEK TRIBUTARY #1 AT TERMINUS OF CEDAR LANE)

LEGEND

- | | | | |
|--|--------------------------------|--|--|
| | SODDING, SALT TOLERANT | | STONE RIPRAP, CLASS AS SPECIFIED |
| | SEEDING, CLASS 2A | | SEEDING, CLASS 4B (MODIFIED) WETLAND MIX |
| | SEEDING, CLASS 4 & 5A COMBINED | | EXISTING SODDING |
| | SEEDING, CLASS 4 | | EXISTING SEEDING, CLASS 4 |
| | SEEDING, CLASS 1 | | |
| | PERENNIAL PLANTS | | |



REVISIONS	
NAME	DATE

ILLINOIS DEPARTMENT OF TRANSPORTATION
LANDSCAPING PLANS
 CEDAR LN
 SCALE : 1" = 20'
 DATE : 10/12/2010
 DRAWN BY : BAE
 CHECKED BY : GB