

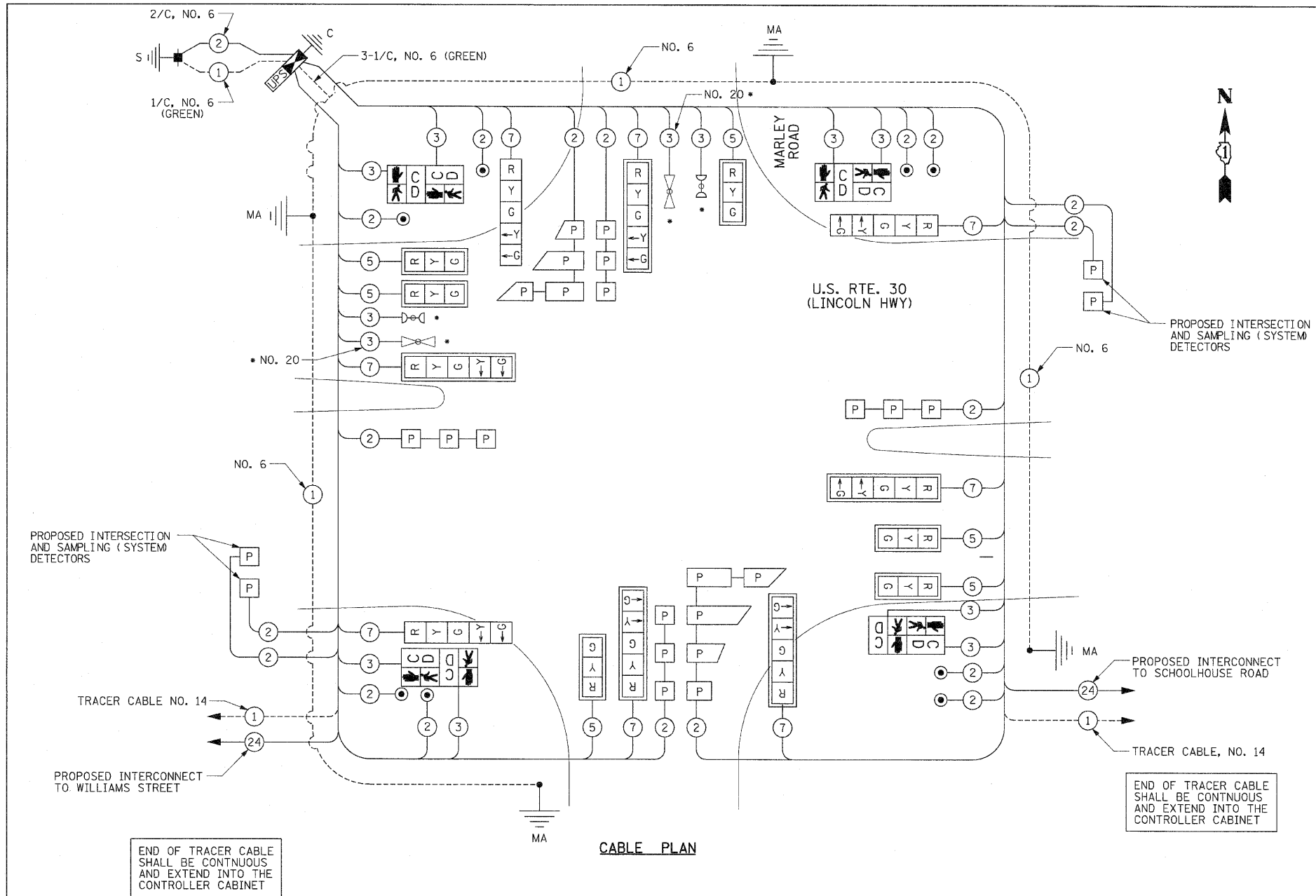
F.A.P. NO.	SECTION	COUNTY	TOTAL SHEETS	SHEET NO.
353	(12&13)WRS-3	WILL	1235	565
STA.	TO STA.			
FED. ROAD DIST. NO.	ILLINOIS	FED. AID PROJECT		

CONTRACT NO. 62479

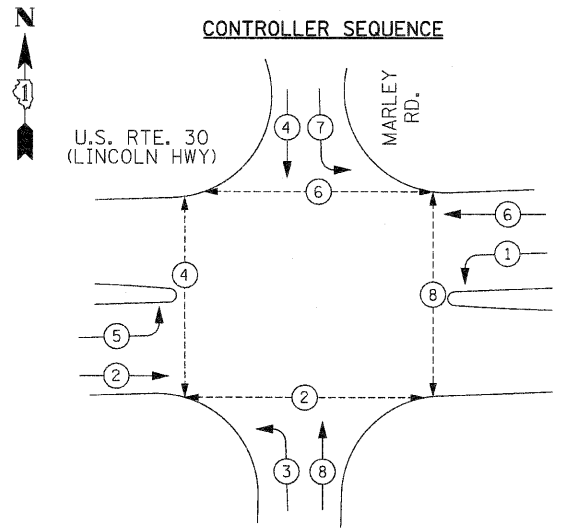
**SCHEDULE OF QUANTITIES**

ITEM	UNIT	NEW LENOX QUANTITY	EPD QUANTITY *
SIGN PANEL - TYPE 1	SQ FT	15	
SIGN PANEL - TYPE 2	SQ FT	30	
CONDUIT IN TRENCH, 2" DIA., GALVANIZED STEEL	FOOT	566	
CONDUIT IN TRENCH, 3" DIA., GALVANIZED STEEL	FOOT	53	
CONDUIT IN TRENCH, 4" DIA., GALVANIZED STEEL	FOOT	25	
CONDUIT PUSHED, 2" DIA., GALVANIZED STEEL	FOOT	251	
CONDUIT PUSHED, 4" DIA., GALVANIZED STEEL	FOOT	444	
HANDHOLE	EACH	4	
HEAVY-DUTY HANDHOLE	EACH	4	
DOUBLE HANDHOLE	EACH	2	
TRENCH AND BACKFILL FOR ELECTRICAL WORK	FOOT	599	
ELECTRIC CABLE IN CONDUIT, SIGNAL NO. 14 2C	FOOT	1340	
ELECTRIC CABLE IN CONDUIT, SIGNAL NO. 14 3C	FOOT	1728	
ELECTRIC CABLE IN CONDUIT, SIGNAL NO. 14 5C	FOOT	1322	
ELECTRIC CABLE IN CONDUIT, SIGNAL NO. 14 7C	FOOT	1669	
ELECTRIC CABLE IN CONDUIT, LEAD-IN, NO. 14 1 PAIR	FOOT	2508	
ELECTRIC CABLE IN CONDUIT, SERVICE, NO. 6 2 C	FOOT	94	
STEEL MAST ARM ASSEMBLY AND POLE, 52 FT.	EACH	2	
STEEL MAST ARM ASSEMBLY AND POLE, 62 FT.	EACH	1	
CONCRETE FOUNDATION, TYPE C	FOOT	4	
CONCRETE FOUNDATION, TYPE E 36-INCH DIAMETER	FOOT	30	
CONCRETE FOUNDATION, TYPE E 42-INCH DIAMETER	FOOT	42	
SIGNAL HEAD, LED, 1-FACE, 3-SECTION, MAST-ARM MOUNTED	EACH	6	
SIGNAL HEAD, LED, 1-FACE, 5-SECTION, BRACKET MOUNTED	EACH	3	
SIGNAL HEAD, LED, 1-FACE, 5-SECTION, MAST-ARM MOUNTED	EACH	5	
PEDESTRIAN SIGNAL HEAD, LED, 2-FACE, BRACKET MOUNTED WITH COUNTDOWN TIMER	EACH	4	
TRAFFIC SIGNAL BACKPLATE, LOUVERED, ALUMINUM	EACH	11	
INDUCTIVE LOOP DETECTOR	EACH	10	
PEDESTRIAN PUSH-BUTTON	EACH	8	
TEMPORARY TRAFFIC SIGNAL INSTALLATION	EACH	1	
RELOCATE EXISTING EMERGENCY VEHICLE PRIORITY SYSTEM, DETECTOR UNIT	EACH		2
RELOCATE EXISTING EMERGENCY VEHICLE PRIORITY SYSTEM, PHASING UNIT	EACH		1
REMOVE EXISTING TRAFFIC SIGNAL EQUIPMENT	EACH	1	
REMOVE EXISTING HANDHOLE	EACH	4	
PREFORMED DETECTOR LOOP	EACH	982	
TEMPORARY TRAFFIC SIGNAL TIMING	EACH	1	
FULL-ACTUATED CONTROLLER AND CABINET (SPECIAL)	EACH	1	
SERVICE INSTALLATION - POLE MOUNTED	EACH	1	
UNINTERRUPTIBLE POWER SUPPLY	EACH	1	
ELECTRIC CABLE IN CONDUIT, GROUNDING, NO. 6 1C	FOOT	753	
ELECTRIC CABLE IN CONDUIT NO. 20 3/C, TWISTED, SHIELDED	FOOT		332
STEEL MAST ARM ASSEMBLY AND POLE WITH DUAL MAST ARMS, 22 FT. AND 60 FT.	EACH	1	

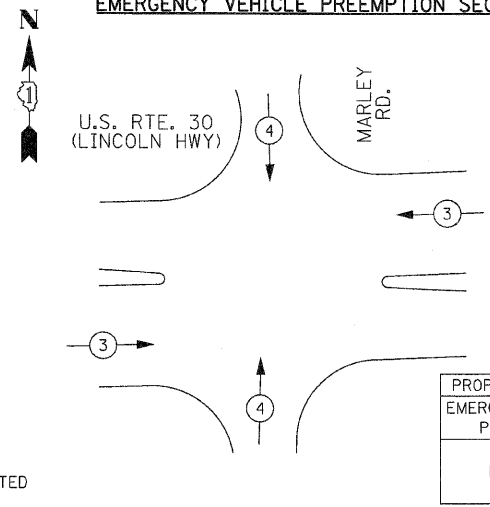
\* 100% COST TO THE NEW LENOX FIRE PROTECTION DISTRICT



**CONTROLLER SEQUENCE**



**PHASE DESIGNATION DIAGRAM  
EMERGENCY VEHICLE PREEMPTION SEQUENCE**



PROPOSED EMERGENCY VEHICLE PREEMPTORS	
EMERGENCY VEHICLE PREEMPTORS	3 4
MOVEMENT	← → ↓ ↑

RESTORATION OF WORK AREA. RESTORATION OF THE TRAFFIC SIGNAL WORK AREA SHALL BE INCIDENTAL TO THE RELATED PAY ITEM SUCH AS FOUNDATION, CONDUIT, HANDHOLE, TRENCH AND BACKFILL, ETC., AND NO EXTRA COMPENSATION SHALL BE ALLOWED. ALL ROADWAY SURFACES SUCH AS SHOULDERS, MEDIANS, SIDEWALKS, PAVEMENT, ETC. SHALL BE REPLACED IN KIND. ALL DAMAGE TO MOWED LAWNS SHALL BE REPLACED WITH AN APPROVED SOD, AND ALL DAMAGE TO UNMOWED FIELDS SHALL BE SEEDING IN ACCORDANCE WITH STANDARD SPECIFICATIONS 252 AND 250 RESPECTIVELY.

THE TRAFFIC SIGNAL CONTROL EQUIPMENT FOR THIS PROJECT SHALL BE "EAGLE" TO MATCH THE EXISTING ADJACENT SYSTEM.

I.D.O.T. TRAFFIC SIGNAL INSTALLATION ELECTRICAL SERVICE REQUIREMENTS					TOTAL WATTAGE
TYPE	NO. LAMPS	WATTAGE (INCAND.)	LED	% OPERATION	
SIGNAL (RED)	14	17		0.50	119
(YELLOW)	14	25		0.25	87.5
(GREEN)	14	15		0.25	52.5
ARROW	16	12		0.10	19.2
PED. SIGNAL	8	25		1.00	200
CONTROLLER	1	100		1.00	100
ILLUM. SIGN		25			
FLASHER					
ENERGY COSTS TO: ILLINOIS DEPARTMENT OF TRANSPORTATION					
201 WEST CENTER COURT					
SCHAUMBURG, ILLINOIS 60196-1096					
ENERGY SUPPLY CONTACT: MARK ANDERSON					
PHONE: (815) 724-5988					
COMPANY: COM. ED.					
TOTAL =					578.2

REVISIONS		ILLINOIS DEPARTMENT OF TRANSPORTATION
NAME	DATE	
		CABLE PLAN, PHASE DESIGNATION DIAGRAM, EMERGENCY VEHICLE PREEMPTION, SCHEDULE OF QUANTITIES
		US RTE. 30 AT MARLEY ROAD
		DRAWN BY : RG
		DESIGNED BY : GB
		CHECKED BY : ZH
		SCALE : 1" = NTS
		DATE : 10/12/2010