

F.A.P. NO.	SECTION	COUNTY	TOTAL SHEETS	SHEET NO.
353	(12&13)WRS-3	WILL	1235	574
STA.	TO STA.			
FED. ROAD DIST. NO.	BLINKS	FED. AID PROJECT		

CONTRACT NO. 62479

**SCHEDULE OF QUANTITIES**

ITEM	UNIT	MOKENA QUANTITY	FPD QUANTITY *
SIGN PANEL - TYPE 1	SQ FT	13.5	
SIGN PANEL - TYPE 2	SQ FT	50	
CONDUIT IN TRENCH, 2" DIA., GALVANIZED STEEL	FOOT	477	
CONDUIT IN TRENCH, 3" DIA., GALVANIZED STEEL	FOOT	26	
CONDUIT IN TRENCH, 4" DIA., GALVANIZED STEEL	FOOT	25	
CONDUIT PUSHED, 2" DIA., GALVANIZED STEEL	FOOT	225	
CONDUIT PUSHED, 3" DIA., GALVANIZED STEEL	FOOT	24	
CONDUIT PUSHED, 4" DIA., GALVANIZED STEEL	FOOT	448	
HANDHOLE	EACH	4	
HEAVY-DUTY HANDHOLE	EACH	4	
DOUBLE HANDHOLE	EACH	2	
TRENCH AND BACKFILL FOR ELECTRICAL WORK	FOOT	501	
ELECTRIC CABLE IN CONDUIT, SIGNAL NO. 14 2C	FOOT	1317	
ELECTRIC CABLE IN CONDUIT, SIGNAL NO. 14 3C	FOOT	1957	
ELECTRIC CABLE IN CONDUIT, SIGNAL NO. 14 5C	FOOT	1262	
ELECTRIC CABLE IN CONDUIT, SIGNAL NO. 14 7C	FOOT	1915	
ELECTRIC CABLE IN CONDUIT, LEAD-IN, NO. 14 1 PAIR	FOOT	2796	
ELECTRIC CABLE IN CONDUIT, SERVICE, NO. 6 2 C	FOOT	37	
TRAFFIC SIGNAL POST, GALVANIZED STEEL 16 FT.	EACH	1	
STEEL MAST ARM ASSEMBLY AND POLE, 46 FT.	EACH	2	
STEEL MAST ARM ASSEMBLY AND POLE WITH DUAL MAST ARMS, 56 FT. AND 10 FT.	EACH	1	
STEEL MAST ARM ASSEMBLY AND POLE WITH DUAL MAST ARMS, 60 FT. AND 14 FT.	EACH	1	
CONCRETE FOUNDATION, TYPE A	FOOT	4	
CONCRETE FOUNDATION, TYPE C	FOOT	4	
CONCRETE FOUNDATION, TYPE E 36-INCH DIAMETER	FOOT	26	
CONCRETE FOUNDATION, TYPE E 42-INCH DIAMETER	FOOT	42	
SIGNAL HEAD, LED, 1-FACE, 3-SECTION, MAST-ARM MOUNTED	EACH	6	
SIGNAL HEAD, LED, 1-FACE, 5-SECTION, BRACKET MOUNTED	EACH	1	
SIGNAL HEAD, LED, 1-FACE, 5-SECTION, MAST-ARM MOUNTED	EACH	7	
SIGNAL HEAD, LED, 2-FACE, 5-SECTION, BRACKET MOUNTED	EACH	1	
PEDESTRIAN SIGNAL HEAD, LED, 1-FACE, BRACKET MOUNTED WITH COUNTDOWN TIMER	EACH	2	
PEDESTRIAN SIGNAL HEAD, LED, 2-FACE, BRACKET MOUNTED WITH COUNTDOWN TIMER	EACH	3	
TRAFFIC SIGNAL BACKPLATE, LOUVERED, ALUMINUM	EACH	13	
INDUCTIVE LOOP DETECTOR	EACH	11	
* LIGHT DETECTOR	EACH		2
* LIGHT DETECTOR AMPLIFIER	EACH		1
PEDESTRIAN PUSH-BUTTON	EACH	8	
PREFORMED DETECTOR LOOP	FOOT	971	
FULL-ACTUATED CONTROLLER AND CABINET (SPECIAL)	EACH	1	
SERVICE INSTALLATION - POLE MOUNTED	EACH	1	
UNINTERRUPTABLE POWER SUPPLY	EACH	1	
ELECTRIC CABLE IN CONDUIT, GROUNDING, NO. 6 1C	FOOT	858	
* ELECTRIC CABLE IN CONDUIT NO. 20 3/C, TWISTED, SHIELDED	FOOT		584

\* 100% COST OF THE FRANKFORT FIRE PROTECTION DISTRICT

RESTORATION OF WORK AREA. RESTORATION OF THE TRAFFIC SIGNAL WORK AREA SHALL BE INCIDENTAL TO THE RELATED PAY ITEM SUCH AS FOUNDATION, CONDUIT, HANDHOLE, TRENCH AND BACKFILL, ETC., AND NO EXTRA COMPENSATION SHALL BE ALLOWED. ALL ROADWAY SURFACES SUCH AS SHOULDERS, MEDIANS, SIDEWALKS, PAVEMENT, ETC. SHALL BE REPLACED IN KIND. ALL DAMAGE TO MOWED LAWNS SHALL BE REPLACED WITH AN APPROVED SOD, AND ALL DAMAGE TO UNMOWED FIELDS SHALL BE SEEDED IN ACCORDANCE WITH STANDARD SPECIFICATIONS 252 AND 250 RESPECTIVELY.

THE TRAFFIC SIGNAL CONTROL EQUIPMENT FOR THIS PROJECT SHALL BE "ECONOLITE" TO MATCH THE EXISTING ADJACENT SYSTEM.

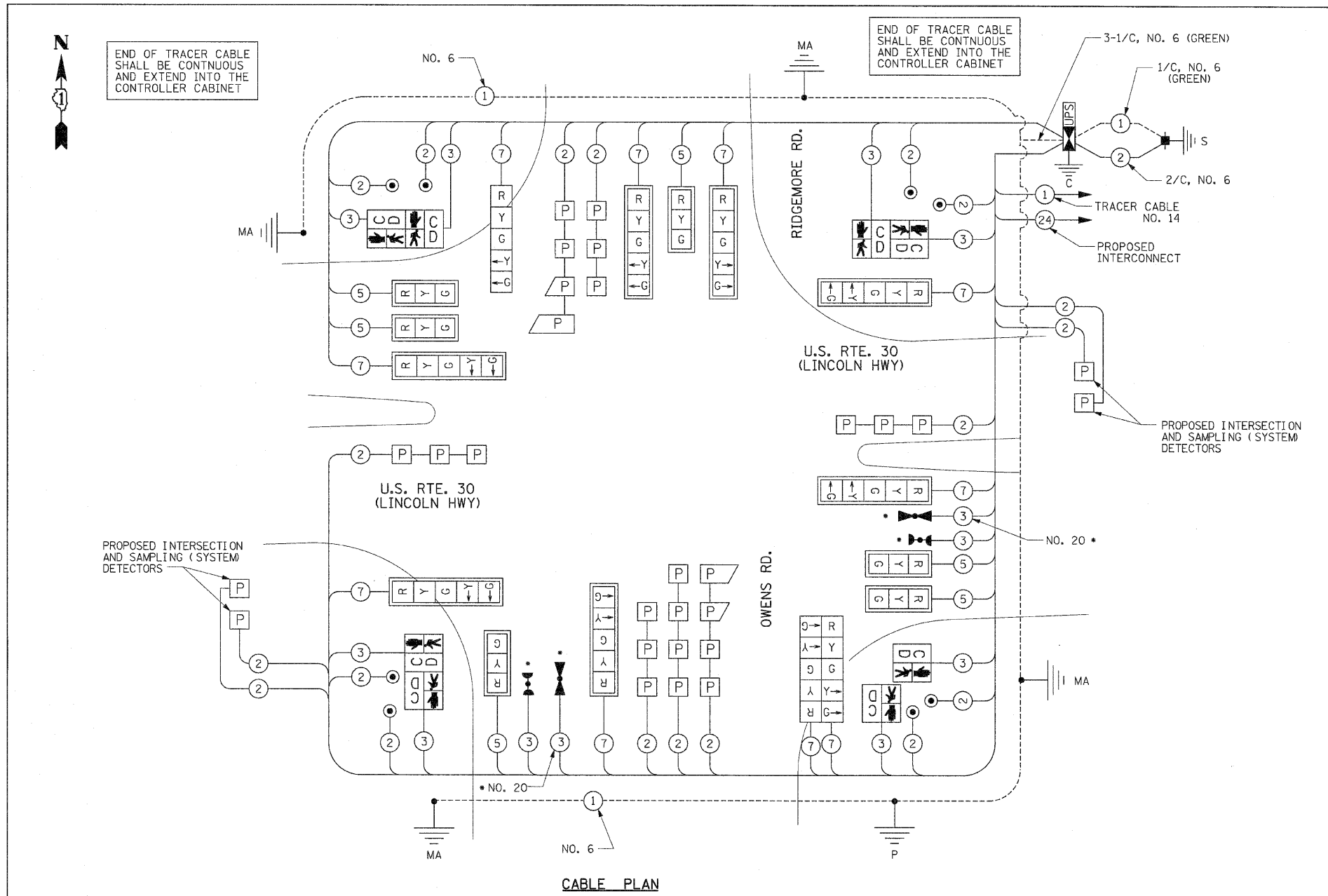
REVISIONS	
NAME	DATE

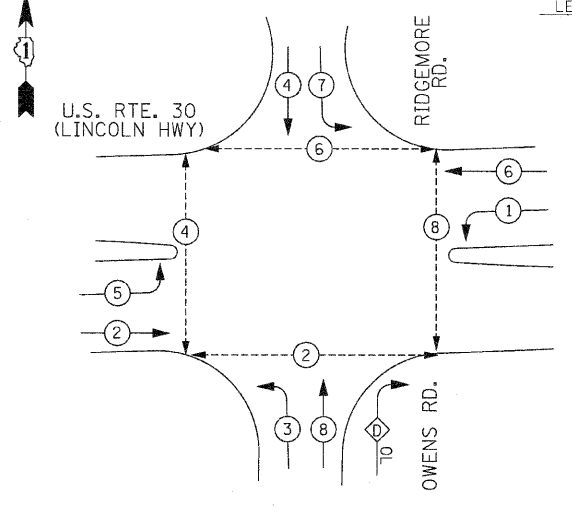
PROPOSED EMERGENCY VEHICLE PREEMPTORS	
EMERGENCY VEHICLE PREEMPTORS	MOVEMENT
3	← →
4	↓ ↑

ILLINOIS DEPARTMENT OF TRANSPORTATION	
CABLE PLAN, PHASE DESIGNATION DIAGRAM, EMERGENCY VEHICLE PREEMPTION, SCHEDULE OF QUANTITIES	
US RTE. 30 AT RIDGEMORE / OWENS	
SCALE : 1" = NTS	DRAWN BY : RG
DATE : 10/12/2010	DESIGNED BY : GB
	CHECKED BY : ZH



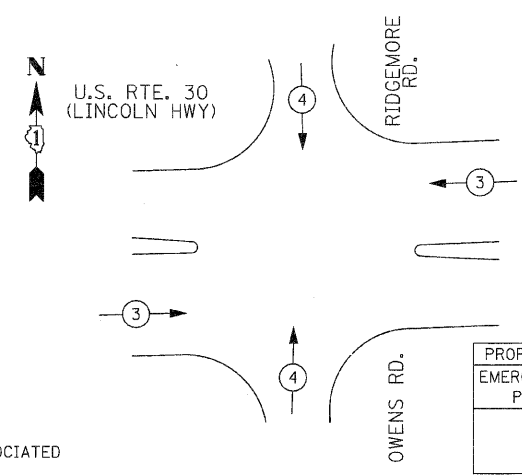
**CONTROLLER SEQUENCE**



OVERLAP LETTER	PERMISSIVE PHASE	PROTECTED PHASE
D	= 8	+ 1

- LEGEND
- ⊛ DUAL ENTRY PHASE
  - ⊠ SINGLE ENTRY PHASE
  - ⊔ OVERLAP
  - ⊙ PEDESTRIAN PHASE
  - \* NUMBER REFERS TO ASSOCIATED PHASE

**PHASE DESIGNATION DIAGRAM  
EMERGENCY VEHICLE PREEMPTION SEQUENCE**



I.D.O.T. TRAFFIC SIGNAL INSTALLATION ELECTRICAL SERVICE REQUIREMENTS				
TYPE	NO. LAMPS	WATTAGE INCAND.	WATTAGE LED	%OPERATION
SIGNAL (RED)	16		17	0.50
(YELLOW)	16		25	0.25
(GREEN)	16		15	0.25
ARROW	20		12	0.10
PED. SIGNAL	8		25	1.00
CONTROLLER	1		100	1.00
ILLUM. SIGN			25	
FLASHER				
ENERGY COSTS TO:				
ILLINOIS DEPARTMENT OF TRANSPORTATION				
201 WEST CENTER COURT				
SCHAUMBURG, ILLINOIS 60196-1096				
ENERGY SUPPLY CONTACT: MARK ANDERSON				
PHONE: (815) 724-5988				
COMPANY: COM. ED.				
TOTAL =	620			