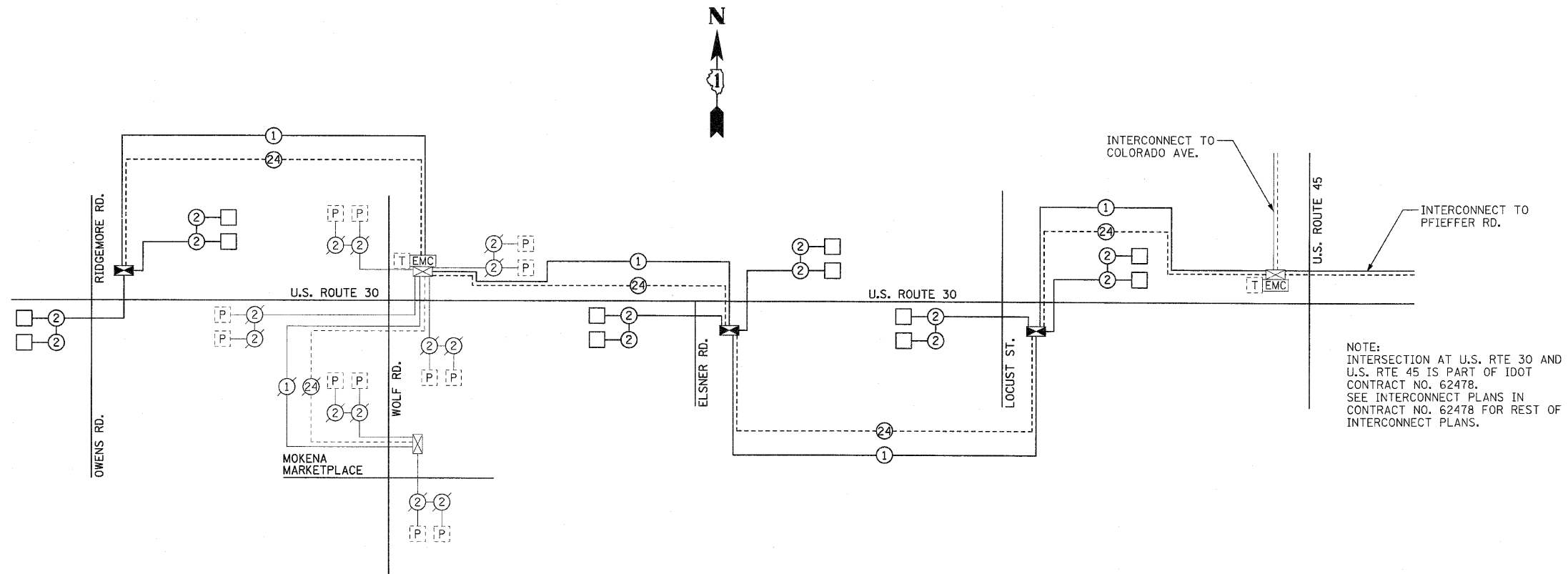


F.A.P. RTE.	SECTION	COUNTY	TOTAL SHEETS	SHEET NO.
353	(12&13)WRS-3	WILL	1235	591
STA.	TO STA.			
FED. ROAD DIST. NO.	ILLINOIS	FED. AID PROJECT		

CONTRACT NO. 62479

SCHEDULE OF QUANTITIES

ITEM	UNIT	QUANTITY
CONDUIT IN TRENCH, 2" DIA., GALVANIZED STEEL	FOOT	9718
CONDUIT PUSHED, 2" DIA., GALVANIZED STEEL	FOOT	1749
HANDHOLE	EACH	17
TRENCH AND BACKFILL FOR ELECTRICAL WORK	FOOT	9718
TRANSCEIVER - FIBER OPTIC	EACH	3
DRILL EXISTING HANDHOLE	EACH	3
RE-OPTIMIZE TRAFFIC SIGNAL SYSTEM LEVEL 2	EACH	1
ELECTRIC CABLE IN CONDUIT, TRACER, NO. 14 1C	FOOT	13680
FIBER OPTIC CABLE IN CONDUIT, NO. 62.5/125, MM12F SM12F	FOOT	13749



NOTE:
THE TRAFFIC SIGNAL CONTROLLER EQUIPMENT FOR THIS PROJECT SHALL BE "ECONOLITE" TO MATCH THE EXISTING ADJACENT SYSTEM.

REVISIONS		ILLINOIS DEPARTMENT OF TRANSPORTATION INTERCONNECT SCHEMATIC U.S. RTE. 30 (LINCOLN HWY) RIDGEMORE RD. TO 195TH ST.
NAME	DATE	

SCALE :
DATE : 10/12/2010

DRAWN BY : RG
DESIGNED BY : GB
CHECKED BY : ZH