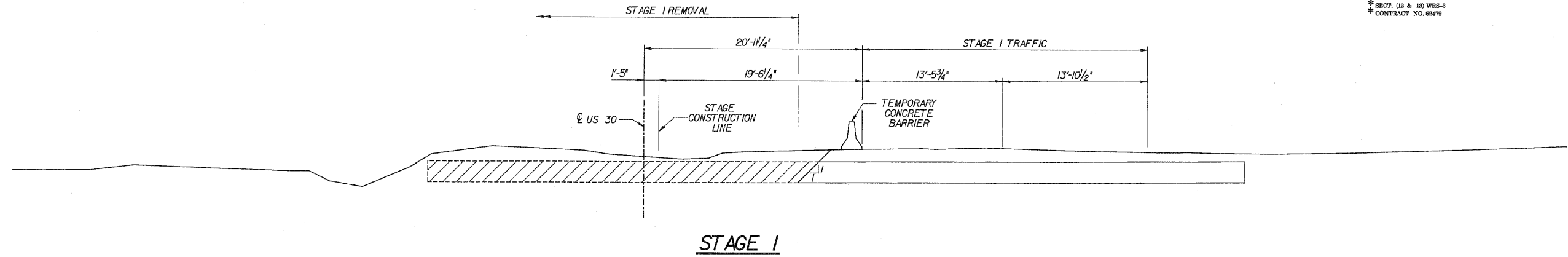
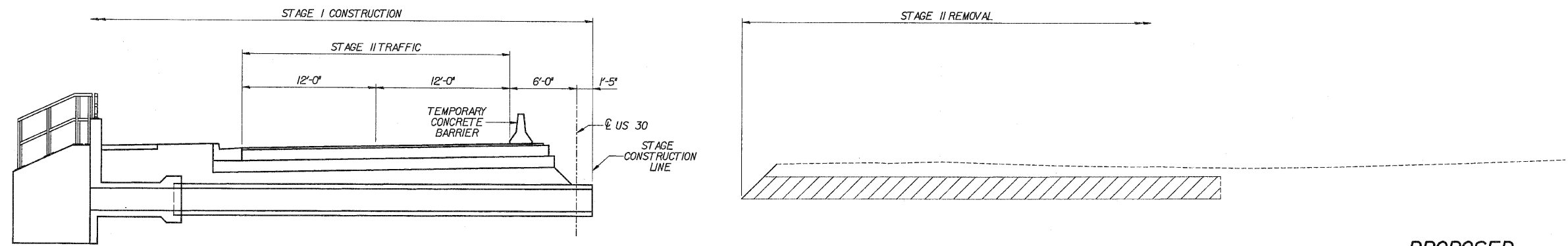


ROUTE NO.	SECTION	COUNTY	TOTAL SHEETS	SHEET NO.
FAP 353	*	WILL	1235	620
FED. ROAD DIST. #	ILLINOIS	FED. AID PROJECT		

* SECT. 12 & 13 WRS-3
* CONTRACT NO. 68479



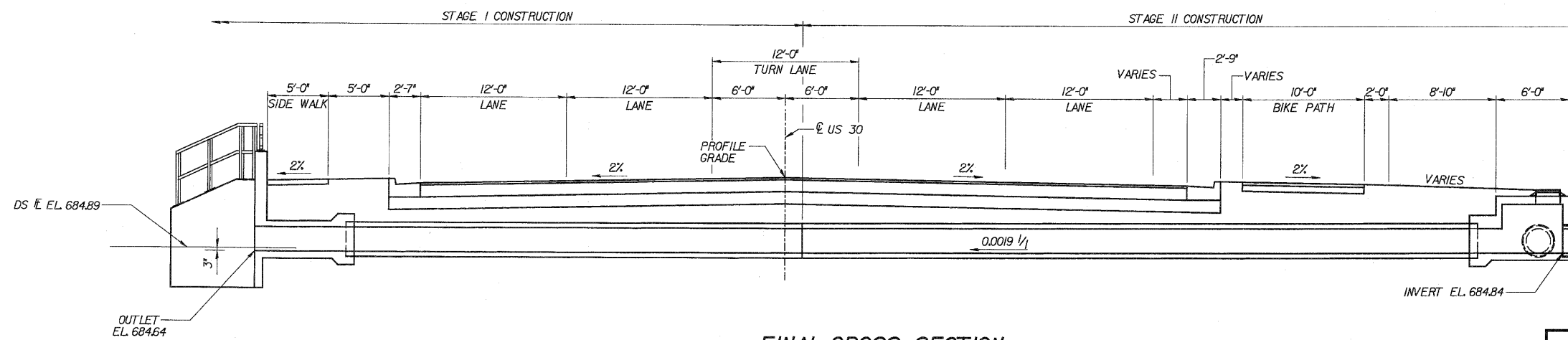
STAGE I



STAGE II

**PROPOSED
STAGE PLANNING**

- STAGE I REMOVAL & CONSTRUCTION**
1. MAINTAIN TWO (2) LANES OF TRAFFIC.
 2. INSTALL TEMPORARY CONCRETE BARRIER.
 3. PERFORM STAGE I REMOVAL.
 4. CONSTRUCT STAGE I PORTION OF THE STRUCTURE.
 5. CONSTRUCT ROADWAY PAVEMENT.
- STAGE II REMOVAL & CONSTRUCTION**
1. INSTALL TEMPORARY CONCRETE BARRIER.
 2. PERFORM STAGE II REMOVAL.
 3. CONSTRUCT STAGE II PORTION OF THE STRUCTURE.
 4. CONSTRUCT ROADWAY PAVEMENT.



FINAL CROSS SECTION

DESIGNED	ASP
CHECKED	CDS
DRAWN	BEM
CHECKED	ASP

LEGEND

REMOVAL OF EXISTING STRUCTURES

REVISIONS	
NAME	DATE

DLZ 85 W. Algonquin Rd. Ste. 220
Arlington Heights IL 60005
DLZ Illinois, Inc.

CULVERT 'B'
PROPOSED STAGE PLANNING
U.S. ROUTE 30 (LINCOLN HIGHWAY)
F.A.P. 353 (U.S. 30)
SECTION (12 & 13) WRS-3
STATION 158+00.00
WILL COUNTY
STRUCTURE NUMBER 099-C011